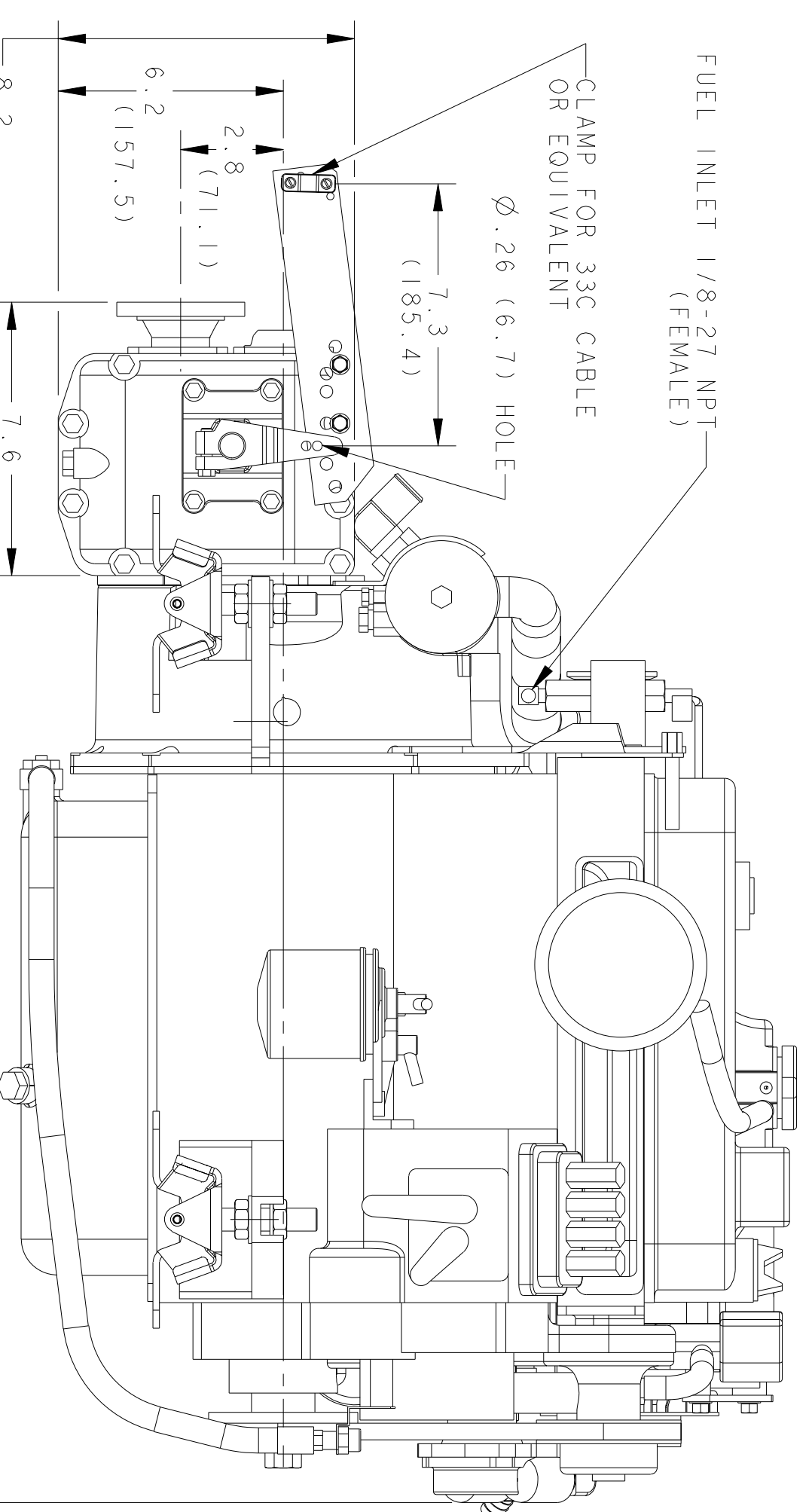


Ø2.5 (63.5) "V" CLAMP MOUNTING EXHAUST CONNECTION

FUEL RETURN CONNECTION 3/8-24NF-2B (FEMALE)

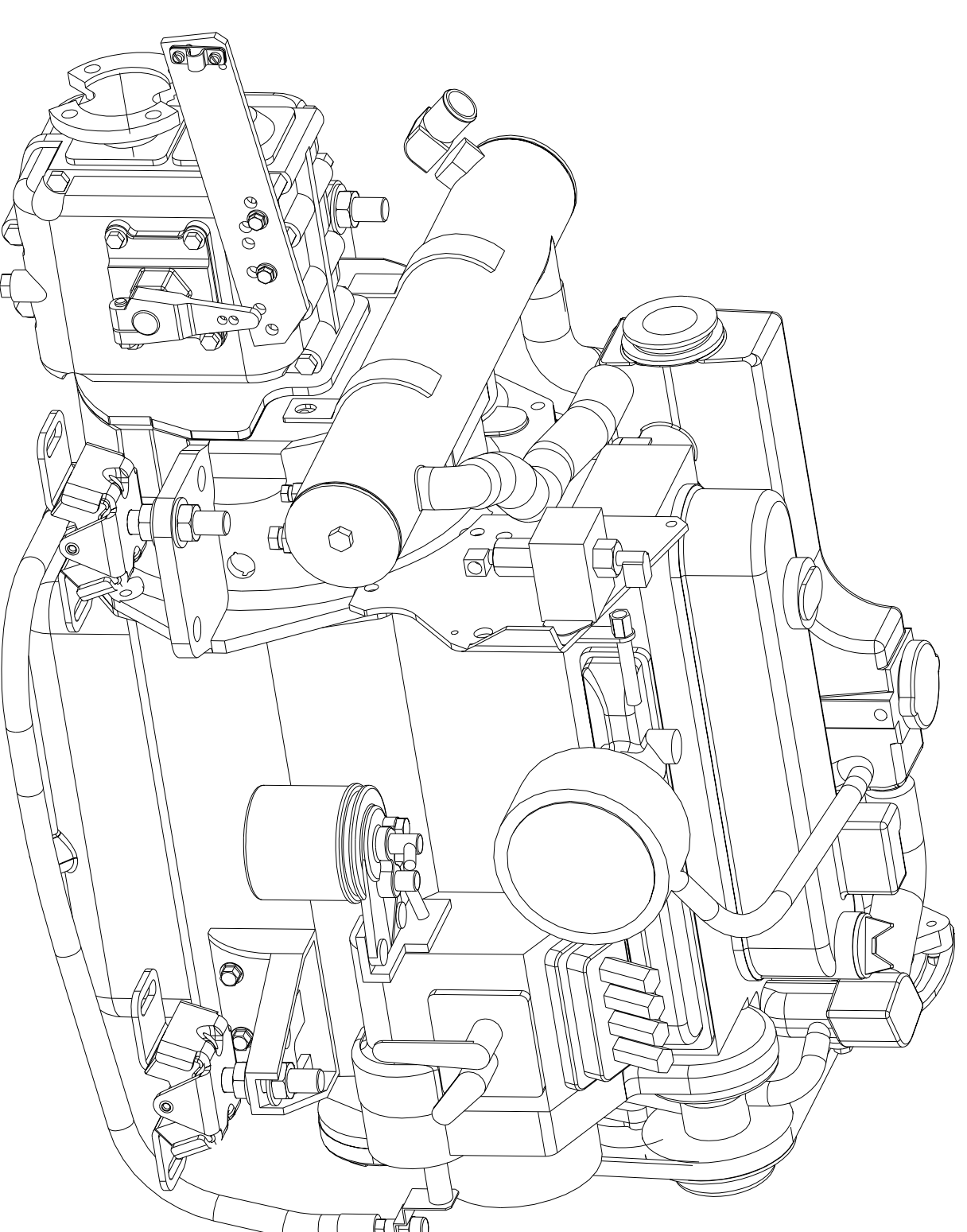
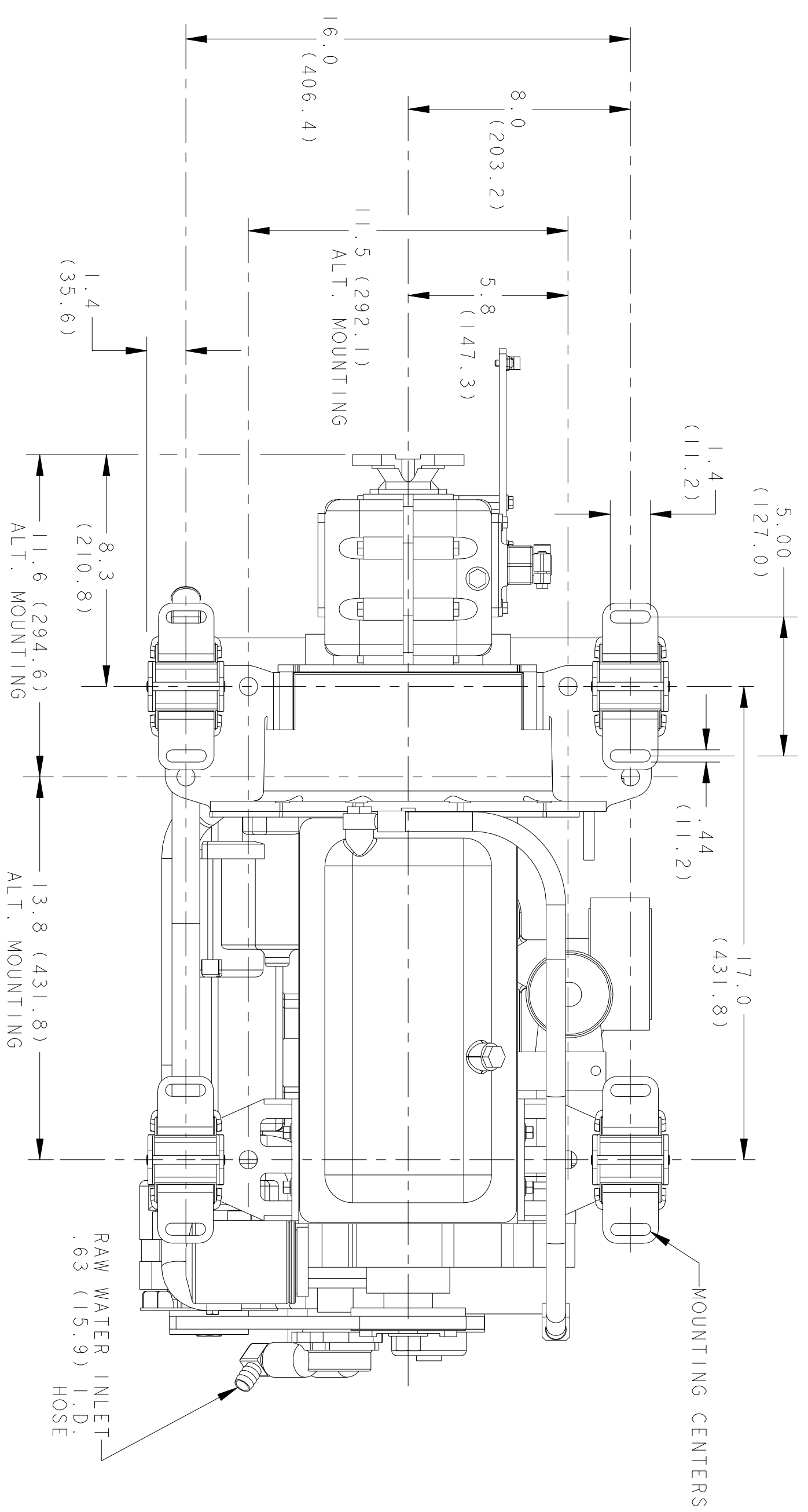
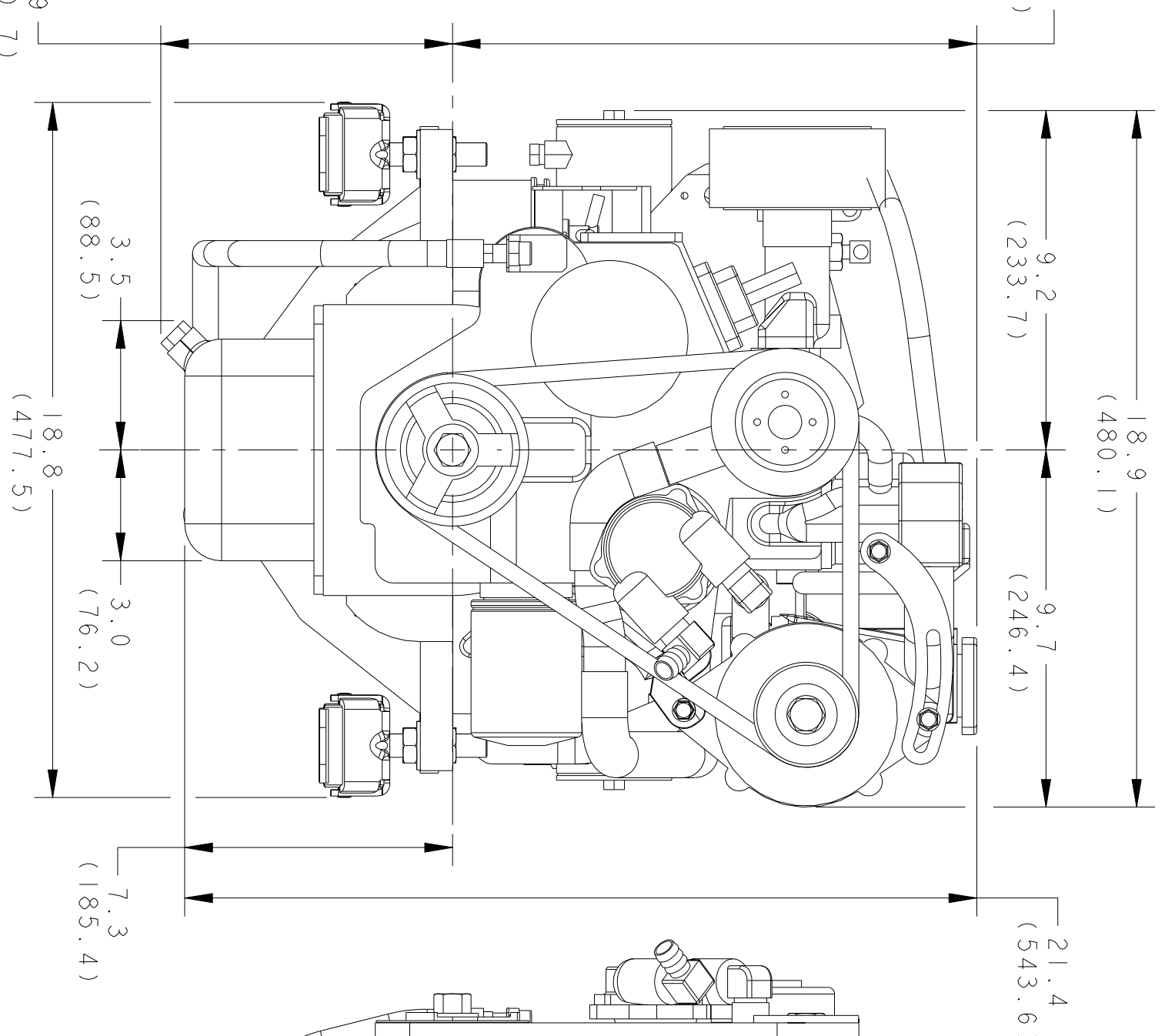


FUEL INLET 1/8-27 NPT (FEMALE)

CLAMP FOR 33G CABLE OR EQUIVALENT

Ø.26 (6.7) HOLE

RAW WATER DISCHARGE 1.0 (25.4) I.D. HOSE
 Ø.41 (10.5) THRU (4) HOLES EQUALLY SPACED ON A 3.25 (82.5) Ø B.C.



SCALE 0.250

TOLERANCES (UNLESS OTHERWISE NOTED)		WESTERBEKE CORPORATION AVON, MA., 02322	
INCHES	MILLIMETERS	TITLE	
.XX	.X	INSTALLATION DRAWING	
.05	.5	M-40B WITH HBW150 TRANSMISSION	
.03	.3	DRAWN BY	DATE
.5	5	JM	3-14-99
FINISH	SY	APPROVED BY	DATE
DIMENSIONS		MATERIAL	
INCHES			
MILLIMETERS			
SCALE 1/4	SHEET 1 OF 1	SITE	DRAWING NUMBER
			D 200415
		REQ.	