

# SERVICE BULLETIN

**DATE:** October 22, 2010

**BULLETIN NUMBER:** 259

**SUBJECT:** Drive Belt Tension

3.0 BPMG-612

**MODELS AFFECTED:**

3.0 BPMG-512

**DETAIL:** The generator drive belt tension specification as shown/illustrated in the Operator's Manual publication #048009 is in error. It does not coincide with our engineering design and the actual adjustment being set by our manufacturing department. The adjustment specification of 1-1/4 inches (31.79mm) should be 1-1/8 inches (28.57mm).

Please correct the specification found in Operator's Manuals currently in the field along with inserting a copy of this bulletin. Manual part number 48009 page 18 of additions 1 and 2 and page 22 of editions 3 and 4.

Operators are urged to check the tensioner adjustment as specified in the Maintenance Schedule of the Operator's Manual as well as seasonally.

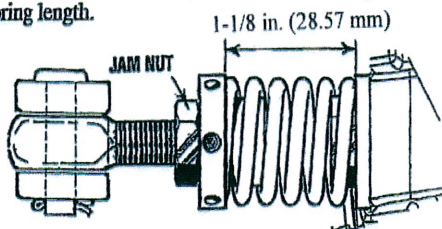
Master Distributors are requested to forward copies of this Service Bulletin to all of their servicing dealers.

The illustration below reflects this specification correction.

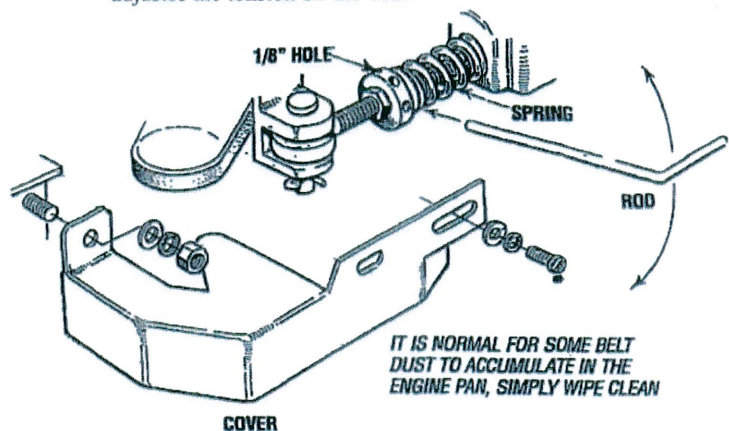
## ADJUSTING THE DRIVE BELT

The engine's drive belt is located under the engine. To access the belt, for inspection and/or adjustment, remove the cover as shown. Inspect the belt for wear along the edges and for proper belt tension (belt should be tight).

The belt tension can be checked by measuring the spring length.



To set the spring tension at 1 1/8", release the jam nut and use a rod such as an allen wrench to turn the adjusting nut (as shown) to tighten or loosen the spring tension, which in turn adjusts the tension on the belt.



**WESTERBEKE™**  
Engines & Generators

WESTERBEKE CORPORATION, Myles Standish Industrial Park, 150 John Hancock Road, Taunton, MA 02780-7319, TEL: 508.823.7677

[www.westerbeke.com](http://www.westerbeke.com)

[www.safeCOproducts.com](http://www.safeCOproducts.com)