

# SERVICE BULLETIN

DATE: 31 August 1990

BULLETIN NUMBER: 188

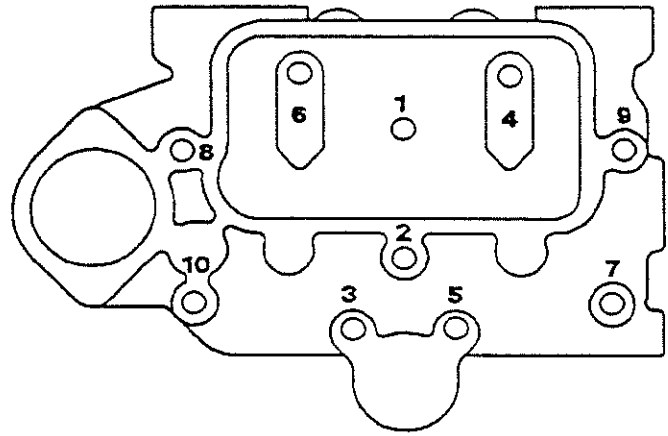
MODEL: Westerbeke 12B TWO

SUBJECT: Operators Manual Publication #37185 Edition One January, 1988

**An error has been found relating to the cylinder head bolt torque specifications shown on page 63 for the propulsion engine Westerbeke 12B TWO. Remove and discard page 63 and replace it with the attached page, (revised August 1990), containing the correct cylinder head torque specifications.**

### Torquing Cylinder Head Bolts

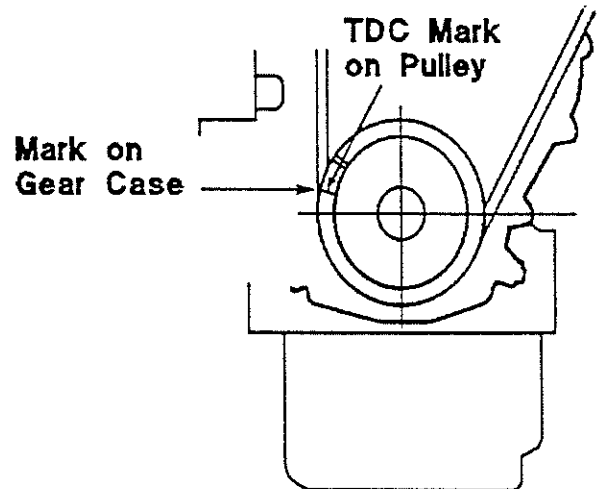
Tighten the cylinder head bolts according to the sequence shown in the illustration below. Make sure the engine is cold when this is done. Loosen one head bolt one-half turn and then tighten it between 25.3 - 28.9 lb-ft (3.5 - 4.0 kg-m). Then proceed to the next head bolt in the sequence numbering shown.



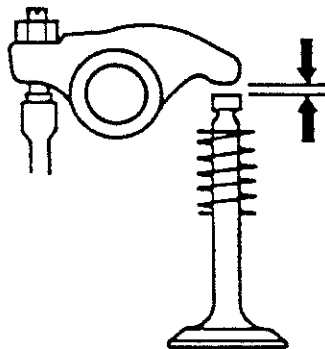
### Valve Clearance Adjustment

**NOTE:** Retorque the cylinder head bolts before adjusting the engine's valves.

1. Remove the rocker arm cover.
2. Position the No. 1 piston at Top Dead Center (TDC) of its compression stroke. To do this, align the timing mark on the gear case with that on the crankshaft pulley. Now adjust the No. 1 piston's intake and exhaust valves.
3. Facing the front of the engine, rotate the crankshaft 170° clockwise to position the No. 2 piston at TDC of its compression stroke. Now adjust the No. 2 piston's intake and exhaust valves.



Adjust all valves to 0.0098 inches (0.25 mm) with the engine cold.



Adjusting a valve's clearance with a feeler gauge.

