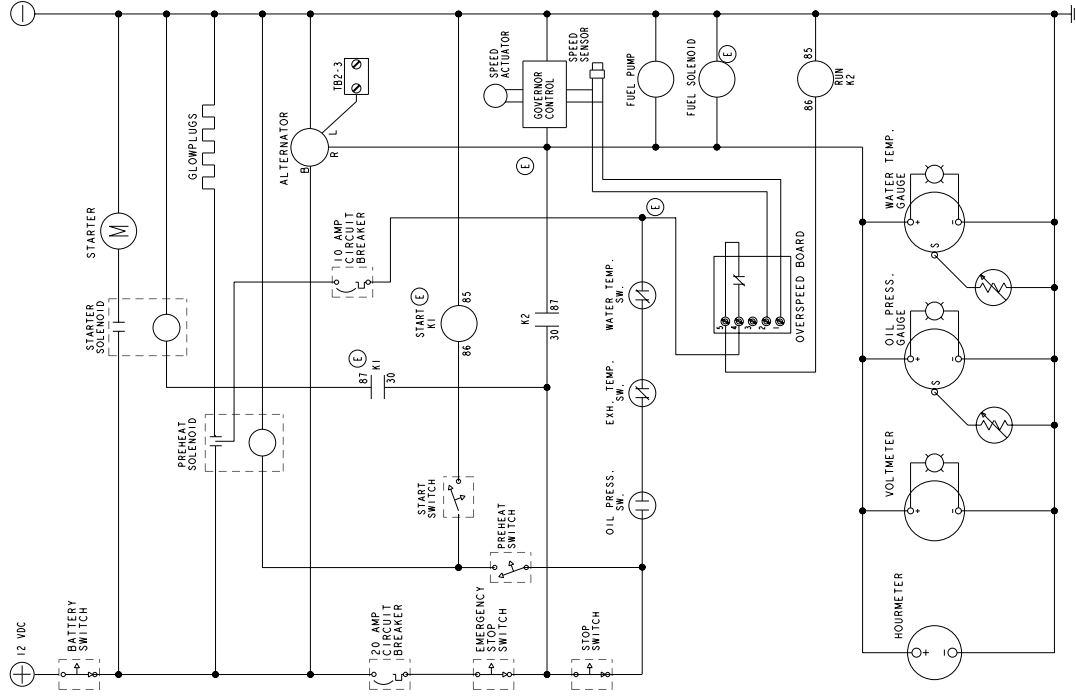
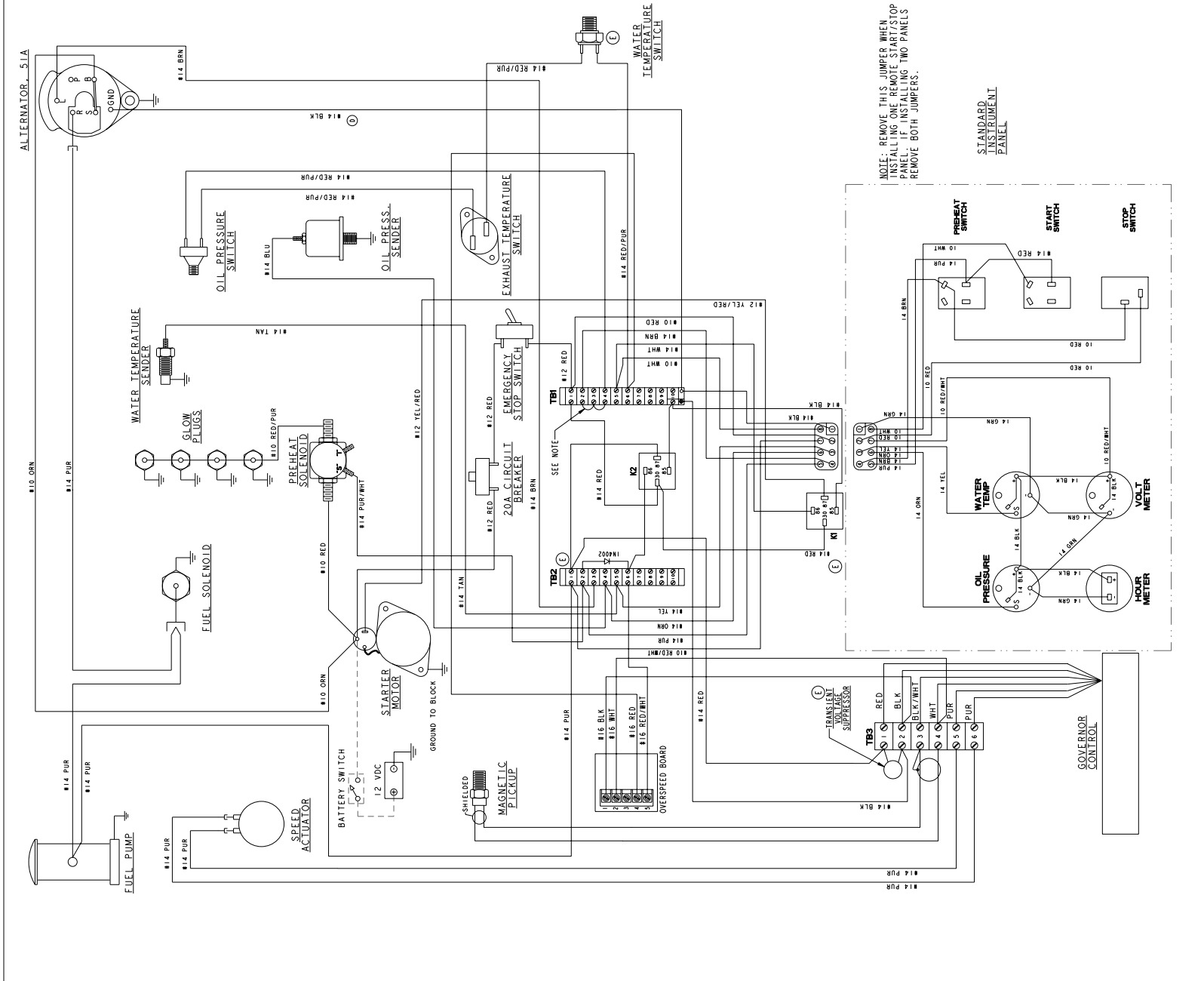


LOG NO.	DATE	REVISION	REVISION RECORD
2083	1/27	A	ADDED RELAY TO THE CONTROL BOX; WIRING TO GOVERNOR CONTROL; STARTER SWITCH TO BATTERY SWITCH; PREHEAT SWITCH TO WATER TEMPERATURE SWITCH; STOP SWITCH TO WATER TEMPERATURE SWITCH.
2193	6/14	B	TERMINAL BLOCKS T81 AND T82 WIRE 5.
2716	6/5	C	D.P. SW. WAS CLOSED; EX. TEMP SW. WAS OPEN.
3081	10/9	D	CHANGE AL.; GROUND WIRE FROM ORN TO BLK.
4684	0/0	E	ADDED RELAY R2; REMOVED T8A.C.B.; ADDED T8A.C.B. TO WATER TEMPERATURE SUPPRESSOR TO CIRCUIT.
5536	00/3	F	ADDED OVERSPEED BOARD.
		GA	



LOG NO.	DATE	REVISION	REVISION RECORD
2083	1/27	A	ADDED RELAY TO THE CONTROL BOX; WIRING TO GOVERNOR CONTROL; STARTER SWITCH TO BATTERY SWITCH; PREHEAT SWITCH TO WATER TEMPERATURE SWITCH; STOP SWITCH TO WATER TEMPERATURE SWITCH.
2193	6/14	B	TERMINAL BLOCKS T81 AND T82 WIRE 5.
2716	6/5	C	D.P. SW. WAS CLOSED; EX. TEMP SW. WAS OPEN.
3081	10/9	D	CHANGE AL.; GROUND WIRE FROM ORN TO BLK.
4684	0/0	E	ADDED RELAY R2; REMOVED T8A.C.B.; ADDED T8A.C.B. TO WATER TEMPERATURE SUPPRESSOR TO CIRCUIT.
5536	00/3	F	ADDED OVERSPEED BOARD.
		GA	



LOG NO.	DATE	REVISION	REVISION RECORD
2083	1/27	A	ADDED RELAY TO THE CONTROL BOX; WIRING TO GOVERNOR CONTROL; STARTER SWITCH TO BATTERY SWITCH; PREHEAT SWITCH TO WATER TEMPERATURE SWITCH; STOP SWITCH TO WATER TEMPERATURE SWITCH.
2193	6/14	B	TERMINAL BLOCKS T81 AND T82 WIRE 5.
2716	6/5	C	D.P. SW. WAS CLOSED; EX. TEMP SW. WAS OPEN.
3081	10/9	D	CHANGE AL.; GROUND WIRE FROM ORN TO BLK.
4684	0/0	E	ADDED RELAY R2; REMOVED T8A.C.B.; ADDED T8A.C.B. TO WATER TEMPERATURE SUPPRESSOR TO CIRCUIT.
5536	00/3	F	ADDED OVERSPEED BOARD.
		GA	