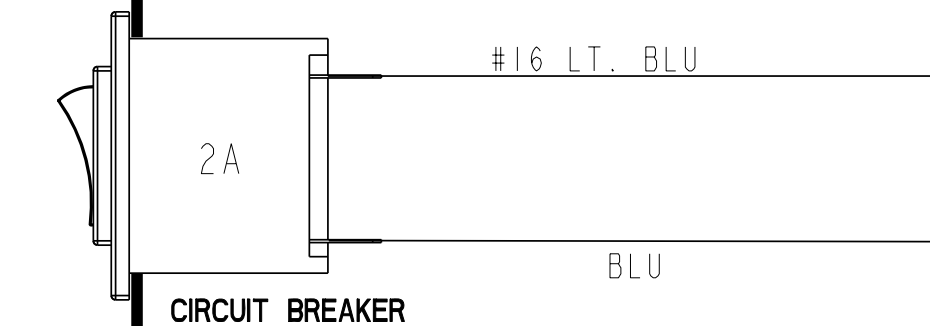
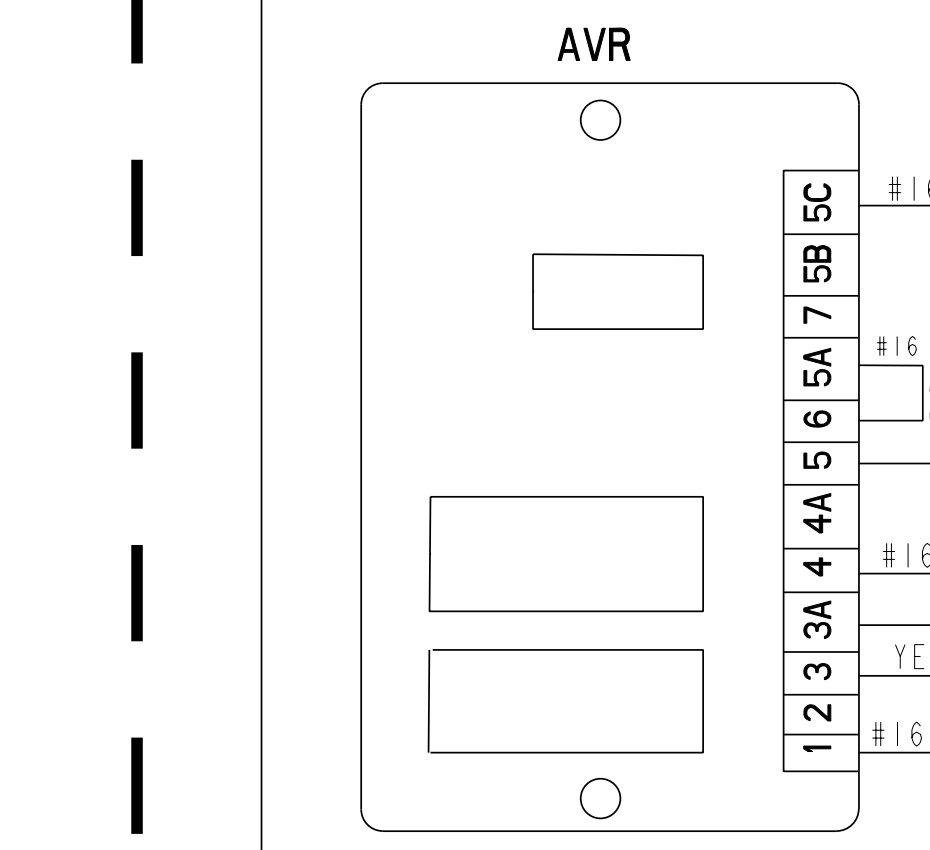
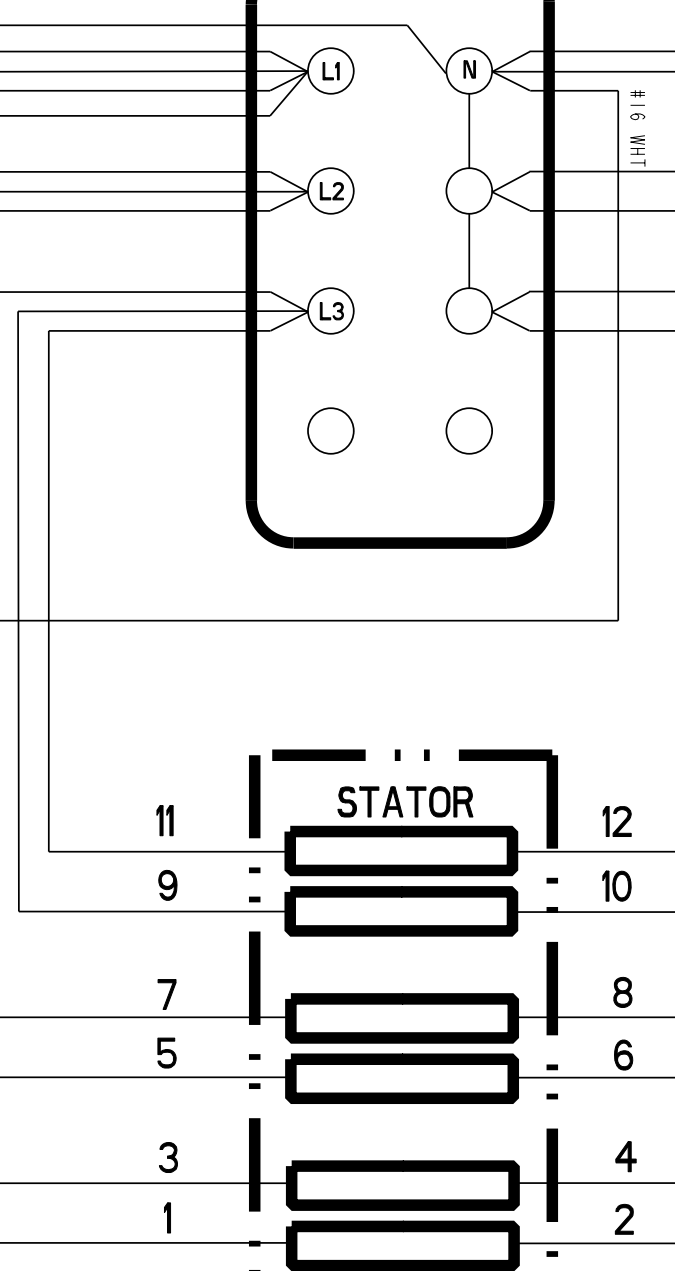


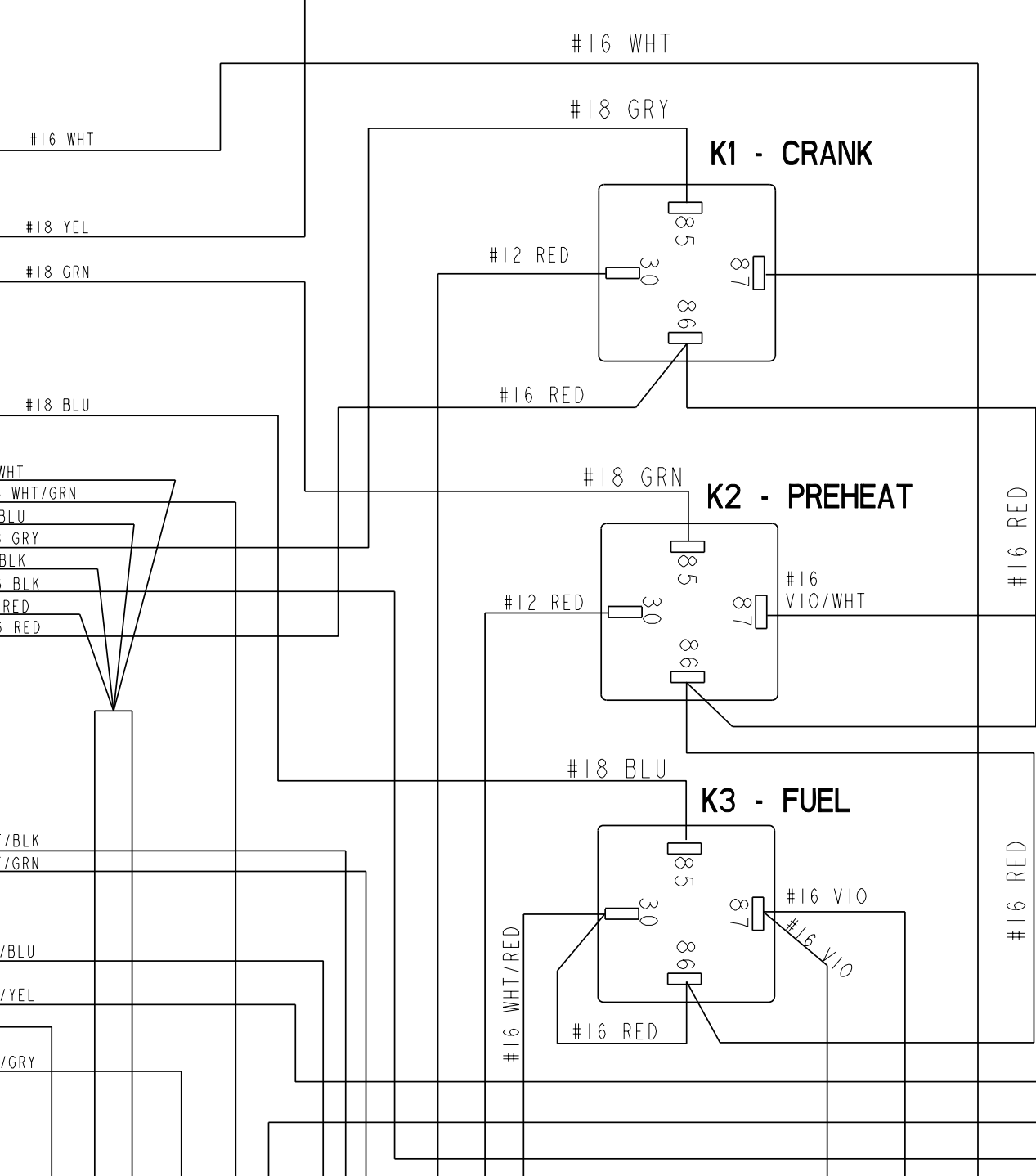
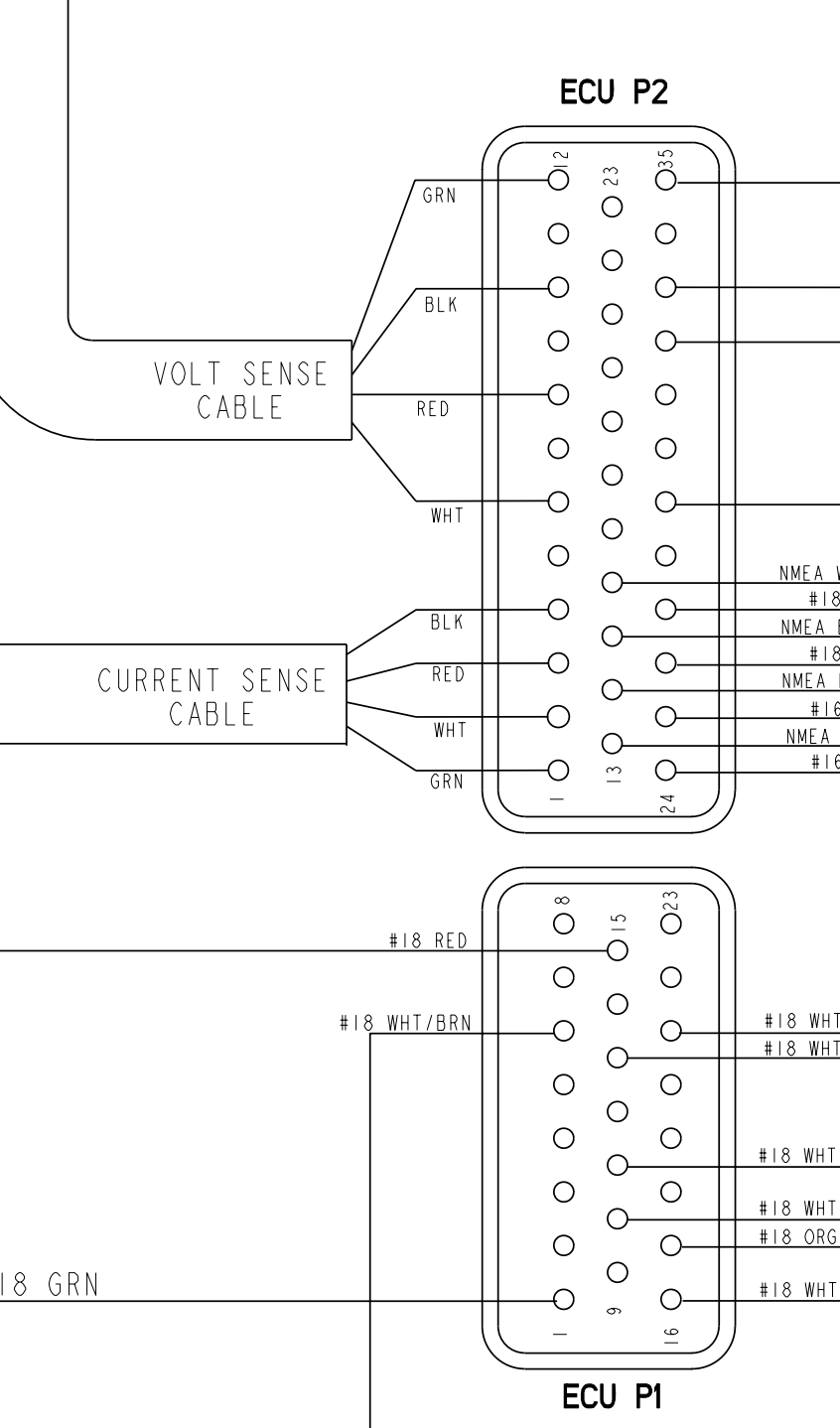
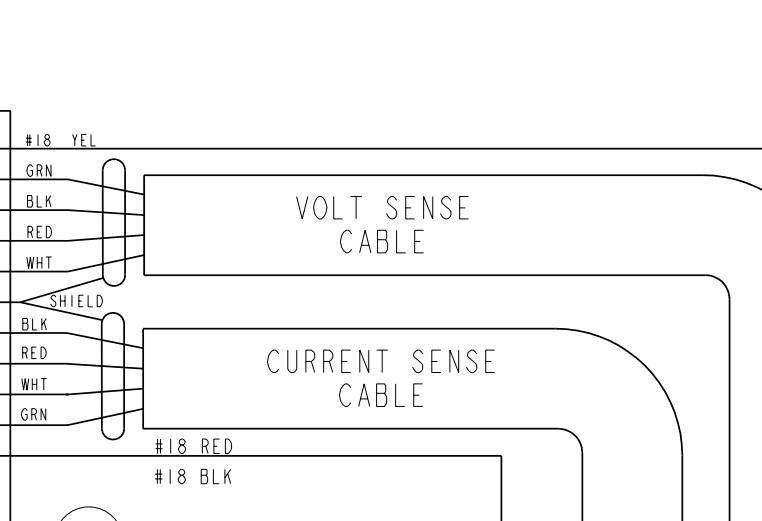
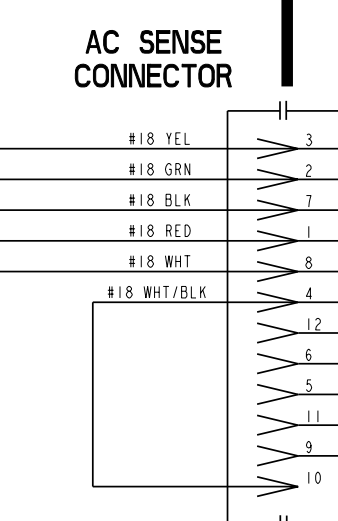
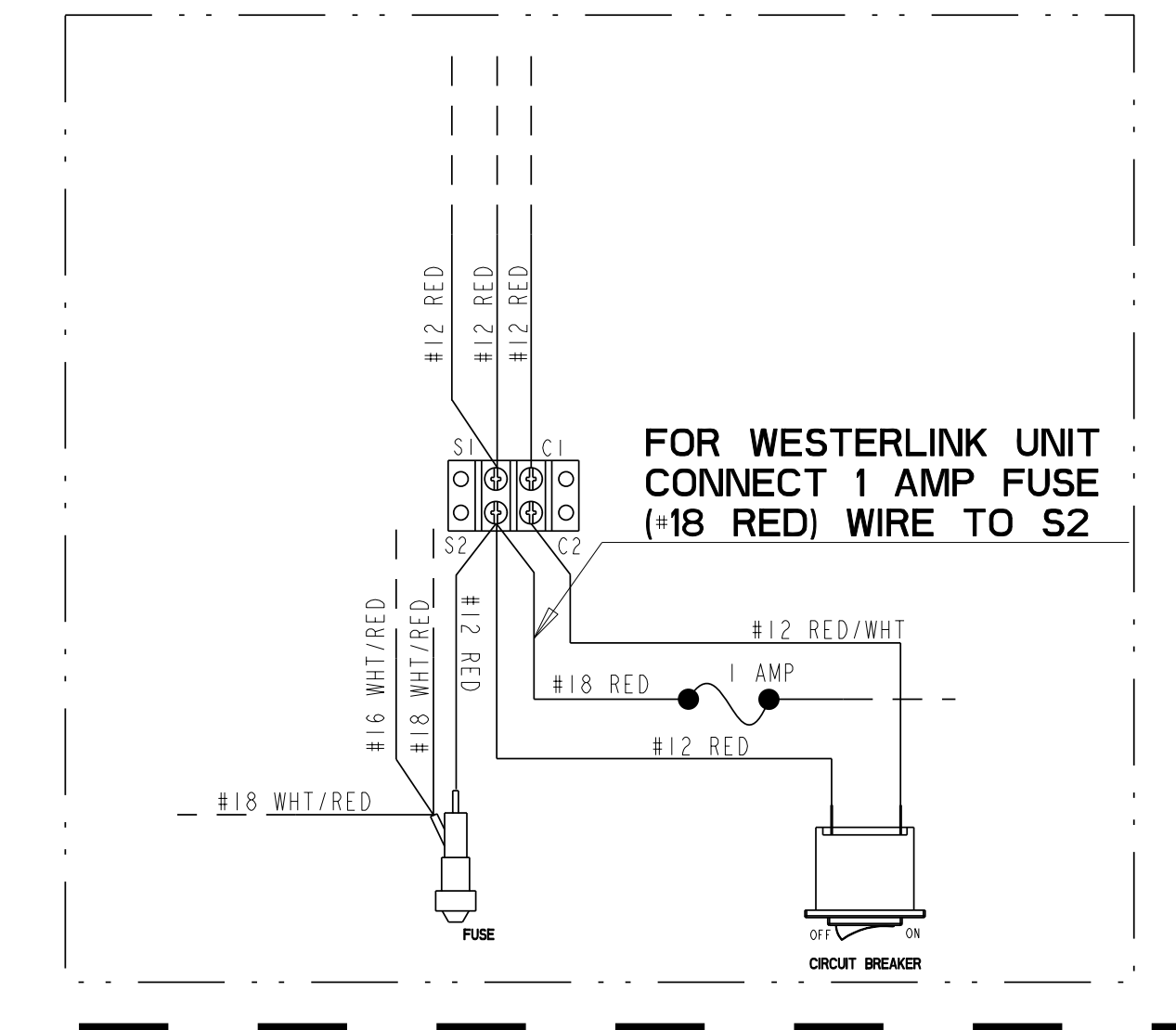
CONTROL BOX (AC SIDE)

TERMINAL BLOCK CONNECTIONS SHOWN ARE CONFIGURED FOR PARALLEL-WYE 190/208 VAC REFER TO 53328 FOR OTHER AC WIRING

TERMINAL BLOCK

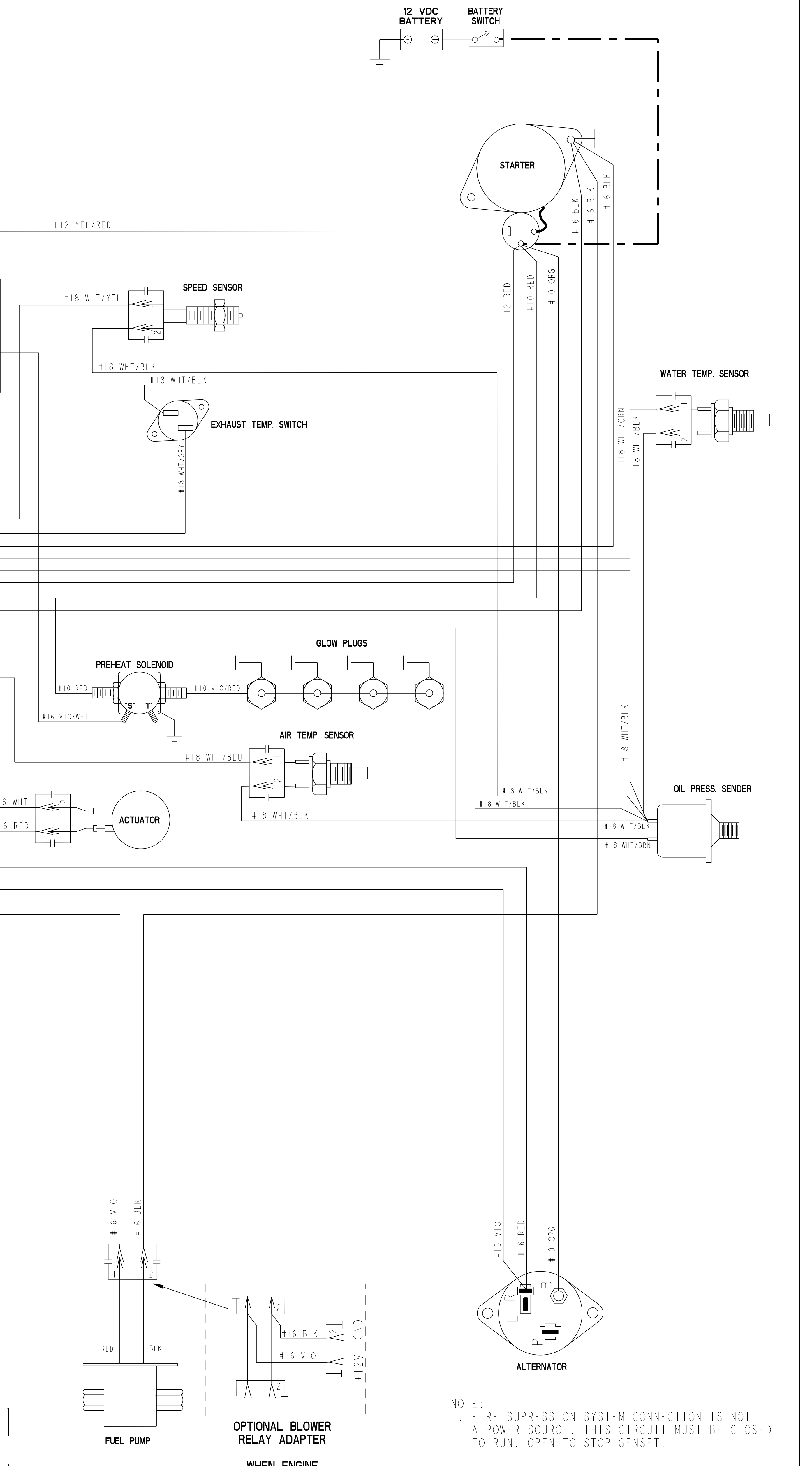
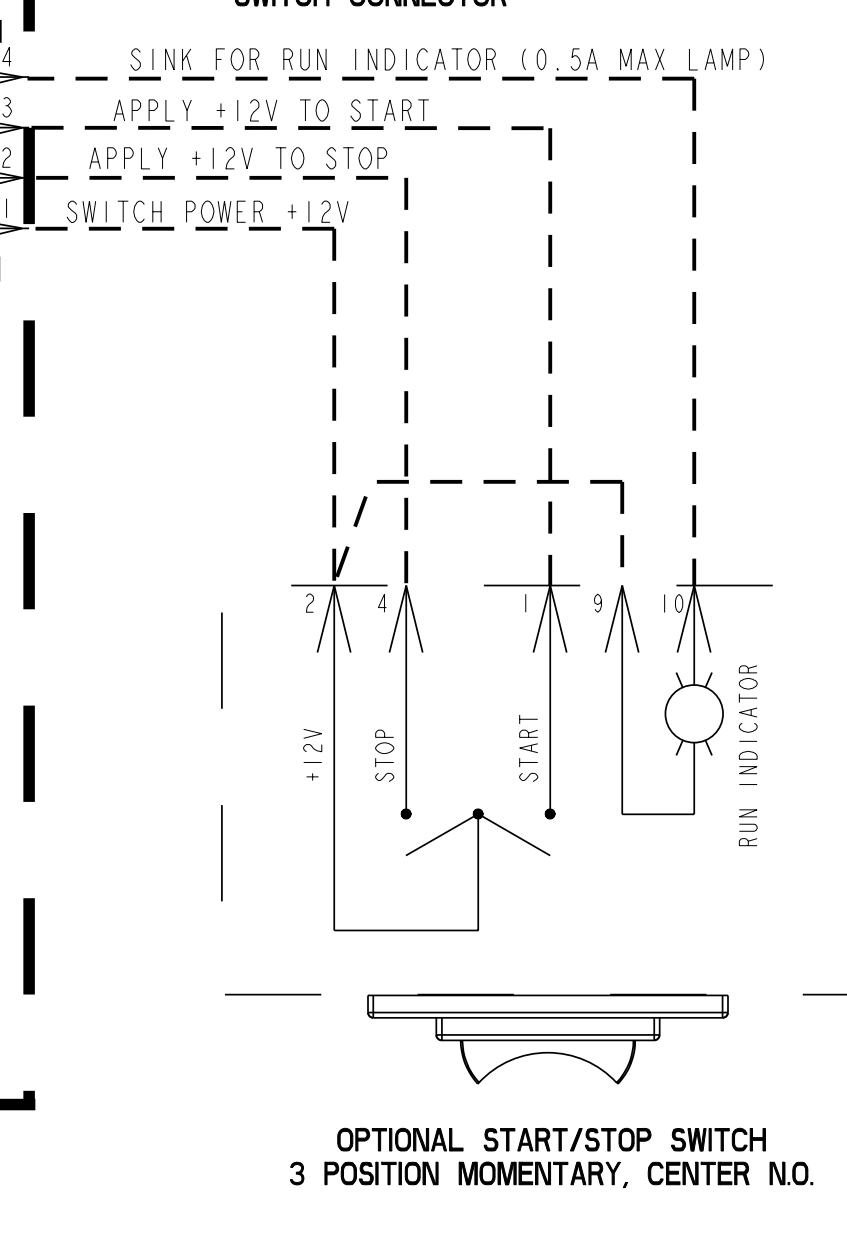
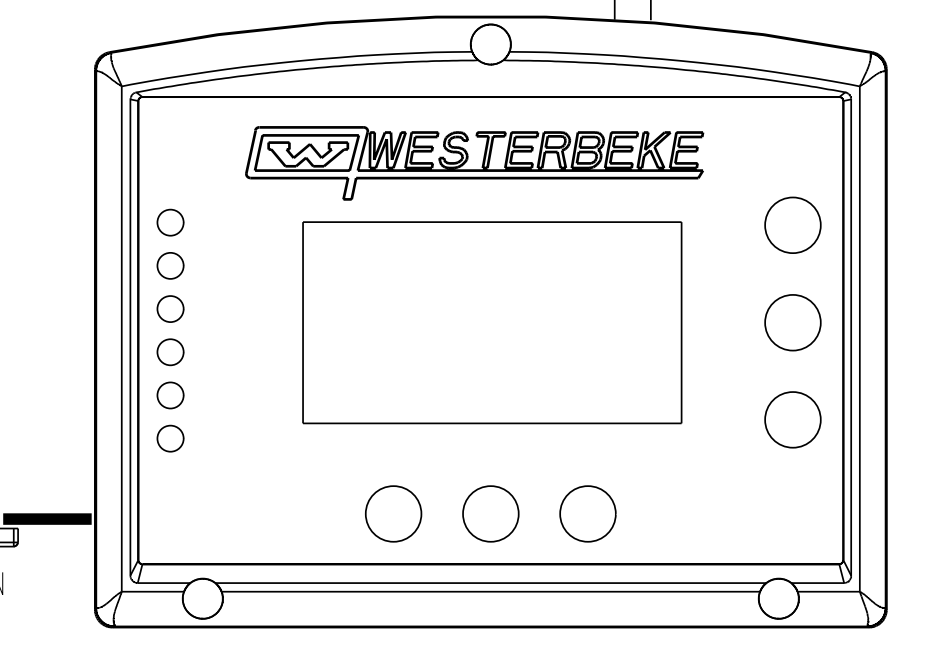
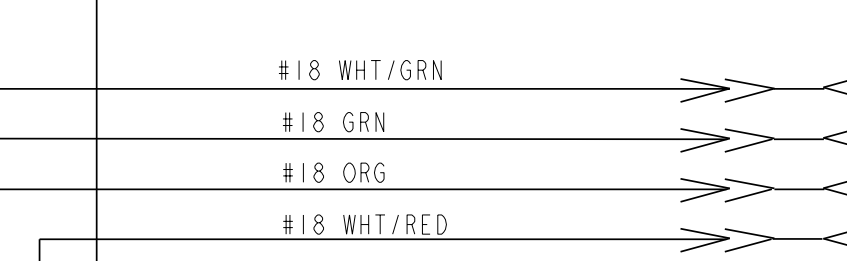
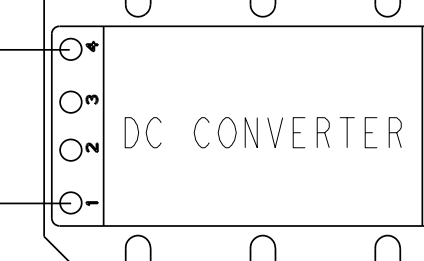
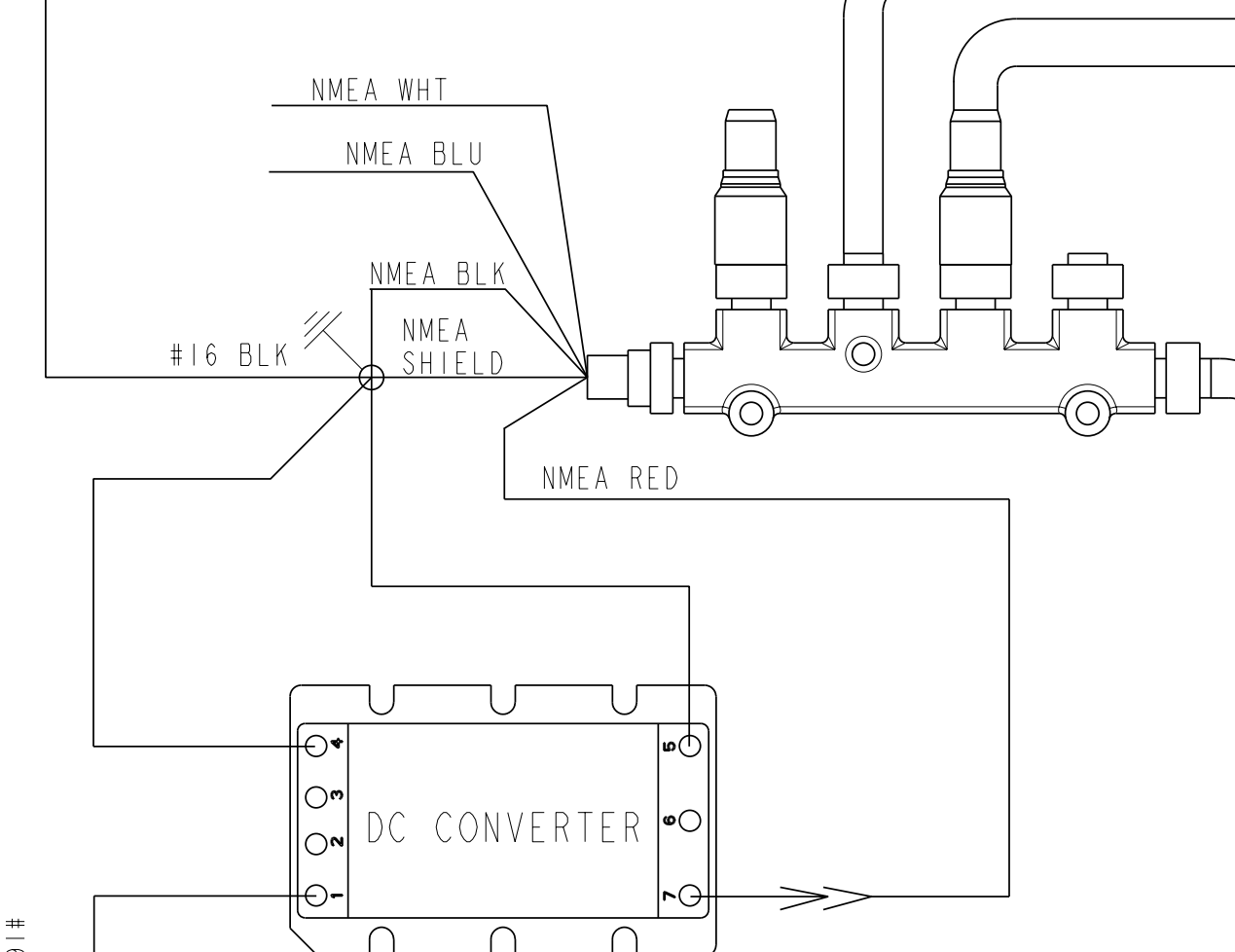


CONTROL BOX (DC SIDE)



REMOVE JUMPER FOR FIRE SUPPRESSION SYSTEM CONNECTION. (SEE NOTE 1)

D-NET 4-WAY CONNECTOR



NOTE:
1. FIRE SUPPRESSION SYSTEM CONNECTION IS NOT A POWER SOURCE. THIS CIRCUIT MUST BE CLOSED TO RUN. OPEN TO STOP GENSET.

TOLERANCES (UNLESS OTHERWISE NOTED)		WESTERBEKE CORPORATION TAUNTON, MA. 02780	
INCHES	MILLIMETERS	FILE	DGGENSET WIRE 25.5, 28.5, 33.0 EDE
.XX	.02	X	± 1.0
.XXX	.005	XX	± .5
CAST	.010	XXX	± .13
ANGLES	.02		
FINISH	AS		
DIMENSIONS	APPROVED BY	DATE	MATERIAL
INCHES	SCALE NONE	DATE	
(WHEN APPLICABLE)	SHEET 1 OF 1	SIZE	DRAWING NUMBER
			53901