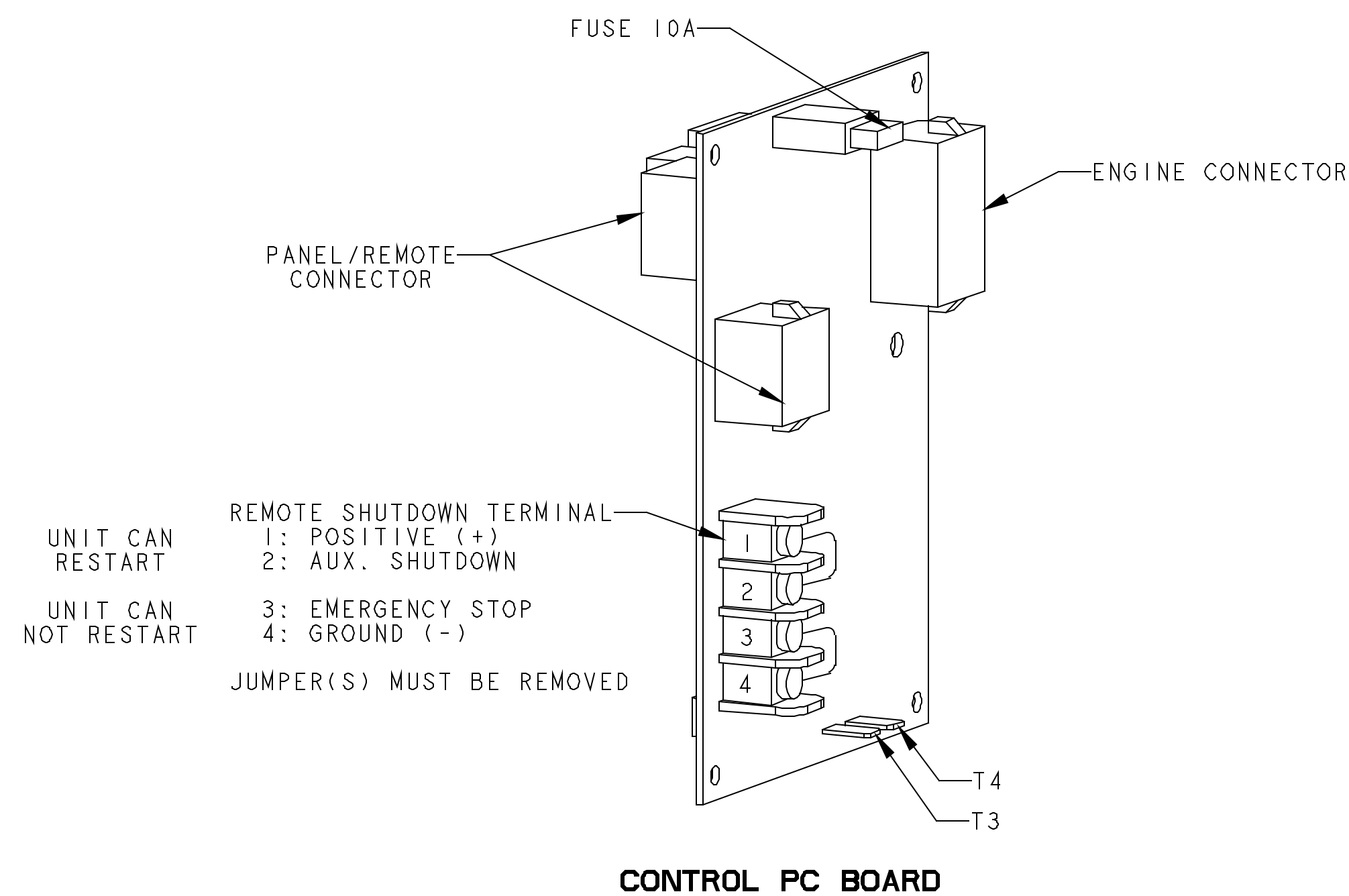
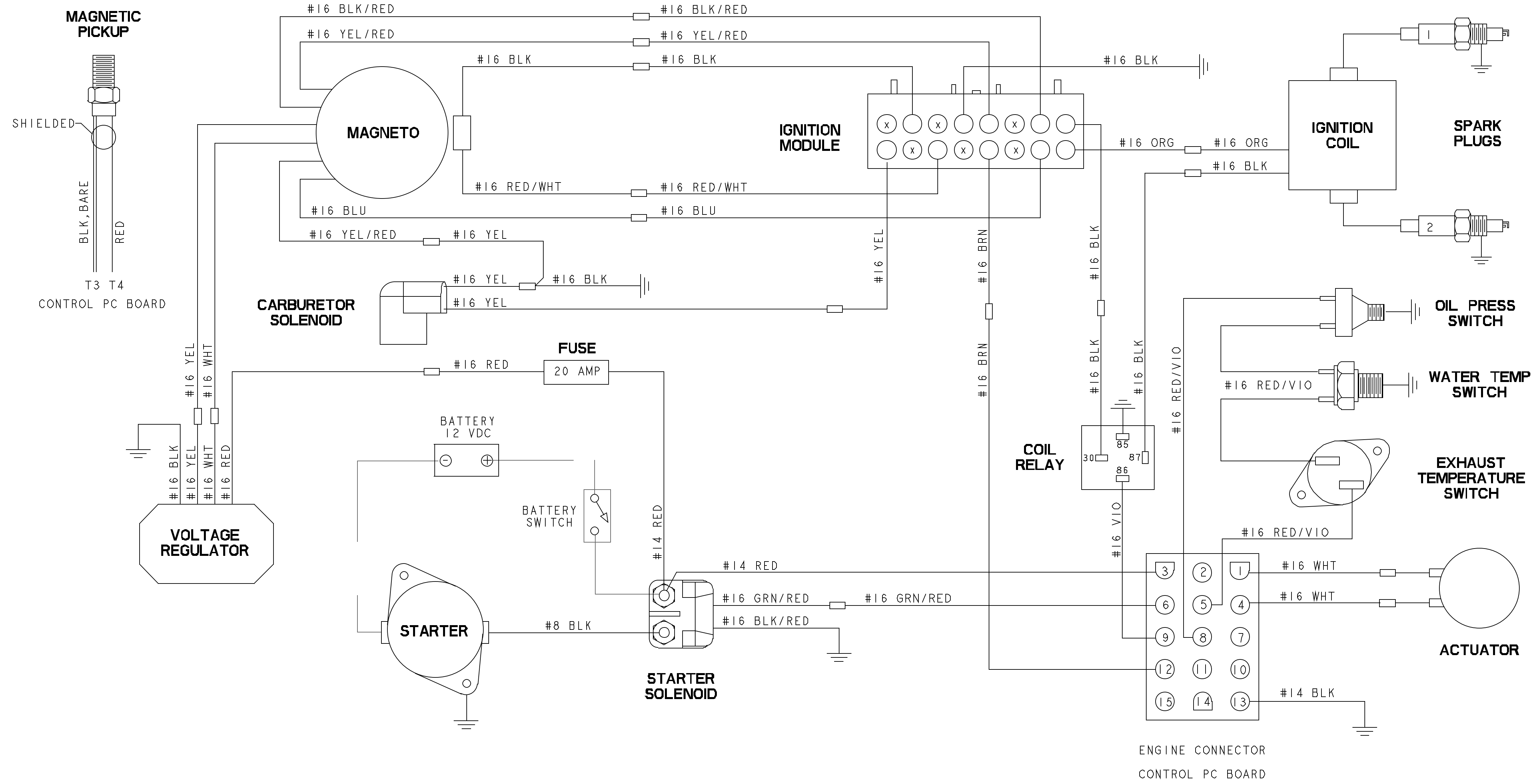
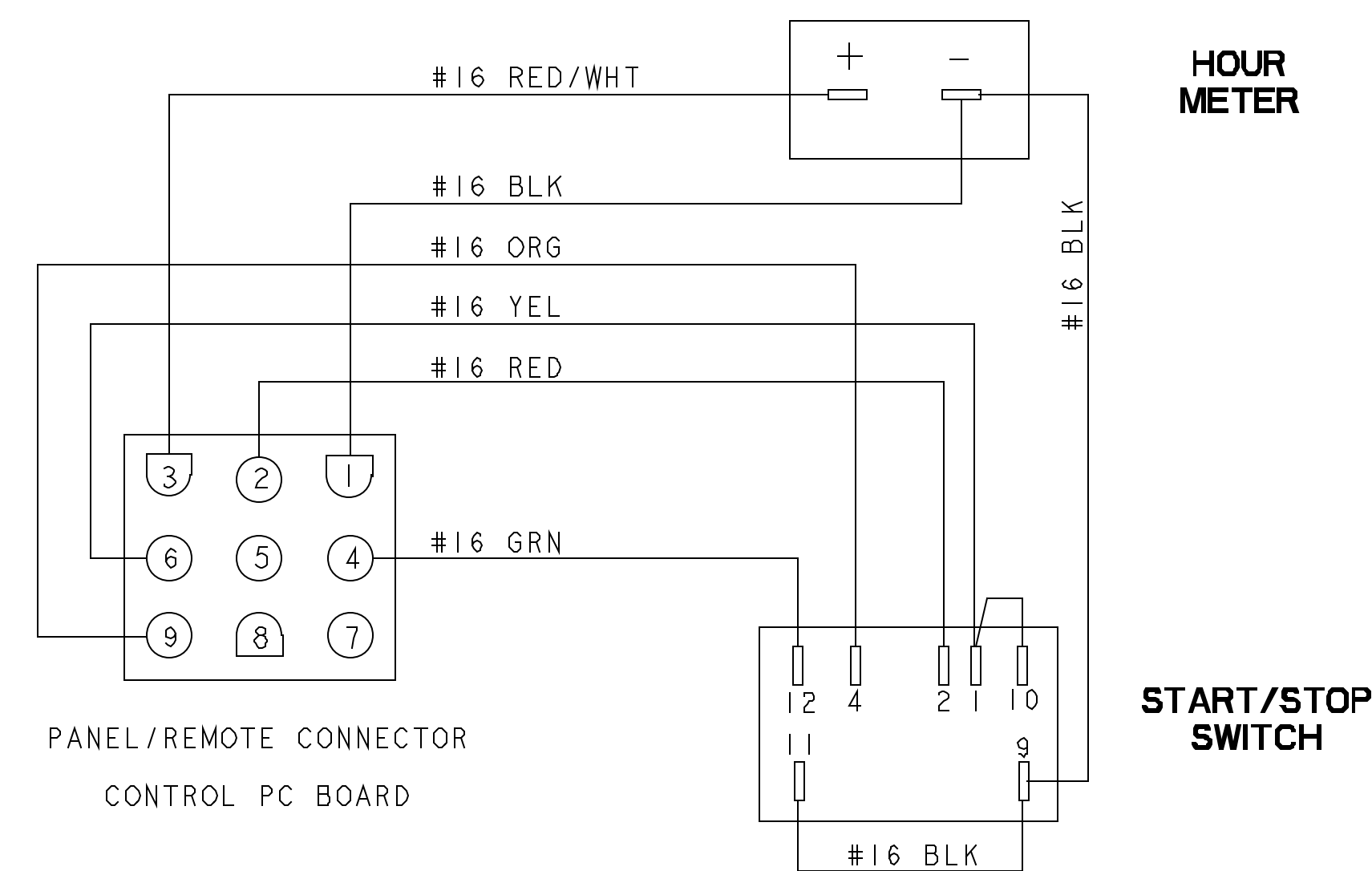


ECO NO	DATE	REV.	REVISION RECORD	AUTH	DR. BY
5467	2/11 2003	A	ADDED COIL RELAY		JCA
5545	4/25 2003	B	ADDED WATER TEMP SWITCH		JCA



UNIT CAN RESTART

UNIT CAN NOT RESTART



TOLERANCES (UNLESS OTHERWISE NOTED)		WESTERBEKE CORPORATION TAUNTON, MA. 02780	
INCHES	MILLIMETERS	TITLE WIRING DIAGRAM 3.0 BPMG	
.XX ± .02	.X ± 1.0	---	
.XXX ± .005	.X ± .5	---	
CAST ± .03	.XX ± .13	---	
ANGLES: $\frac{\circ}{8}$		---	
FINISH $\frac{\circ}{8}$		---	
DIMENSIONS		DRAWN BY Jeremy Anderson	DATE 12/Sep/02
INCHES		APPROVED BY	DATE
MILLIMETERS		---	
(WHEN APPLICABLE)		SCALE NONE	SIZE DRAWING NUMBER
SHT 1 of 1		D	46987
			REV. B