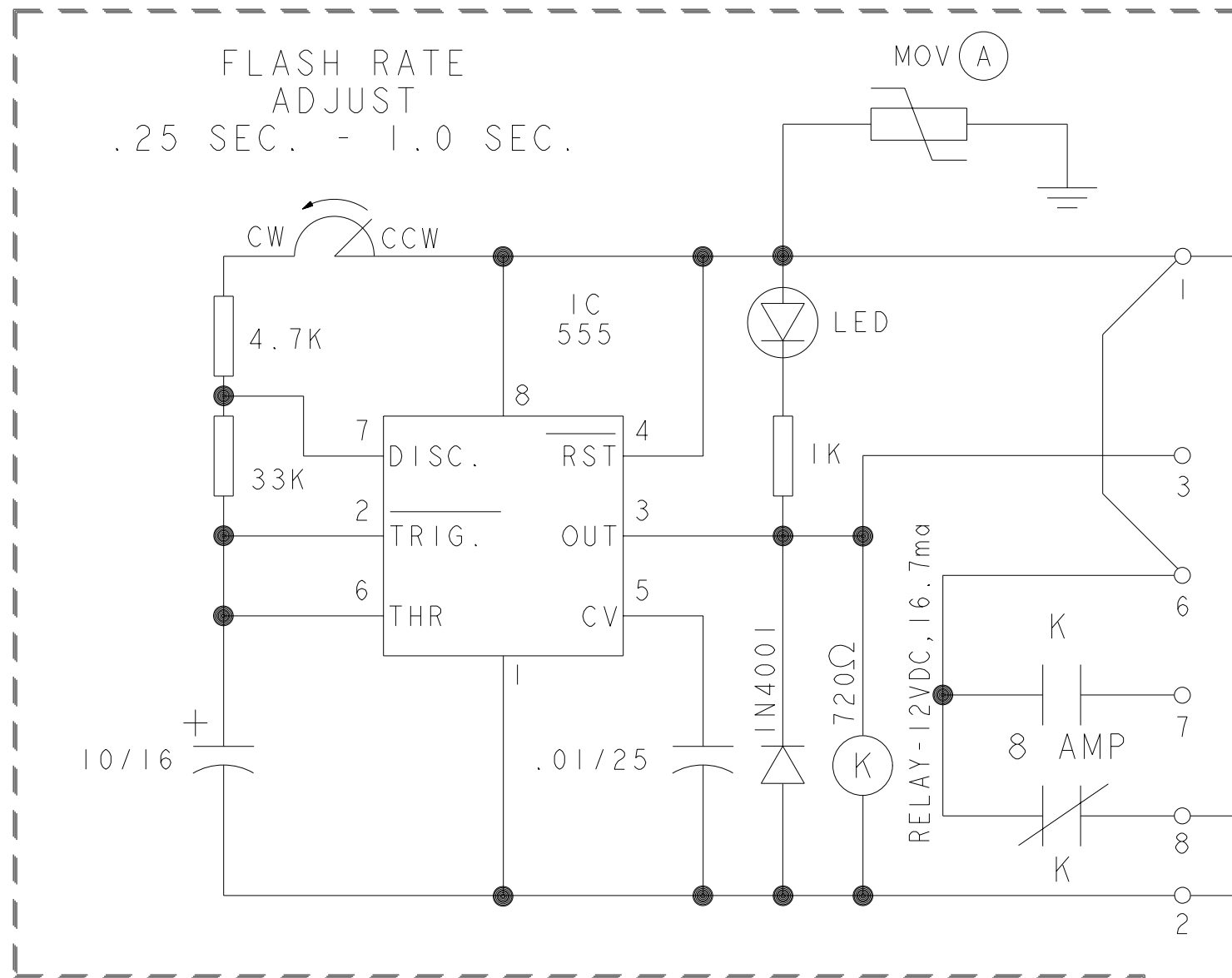
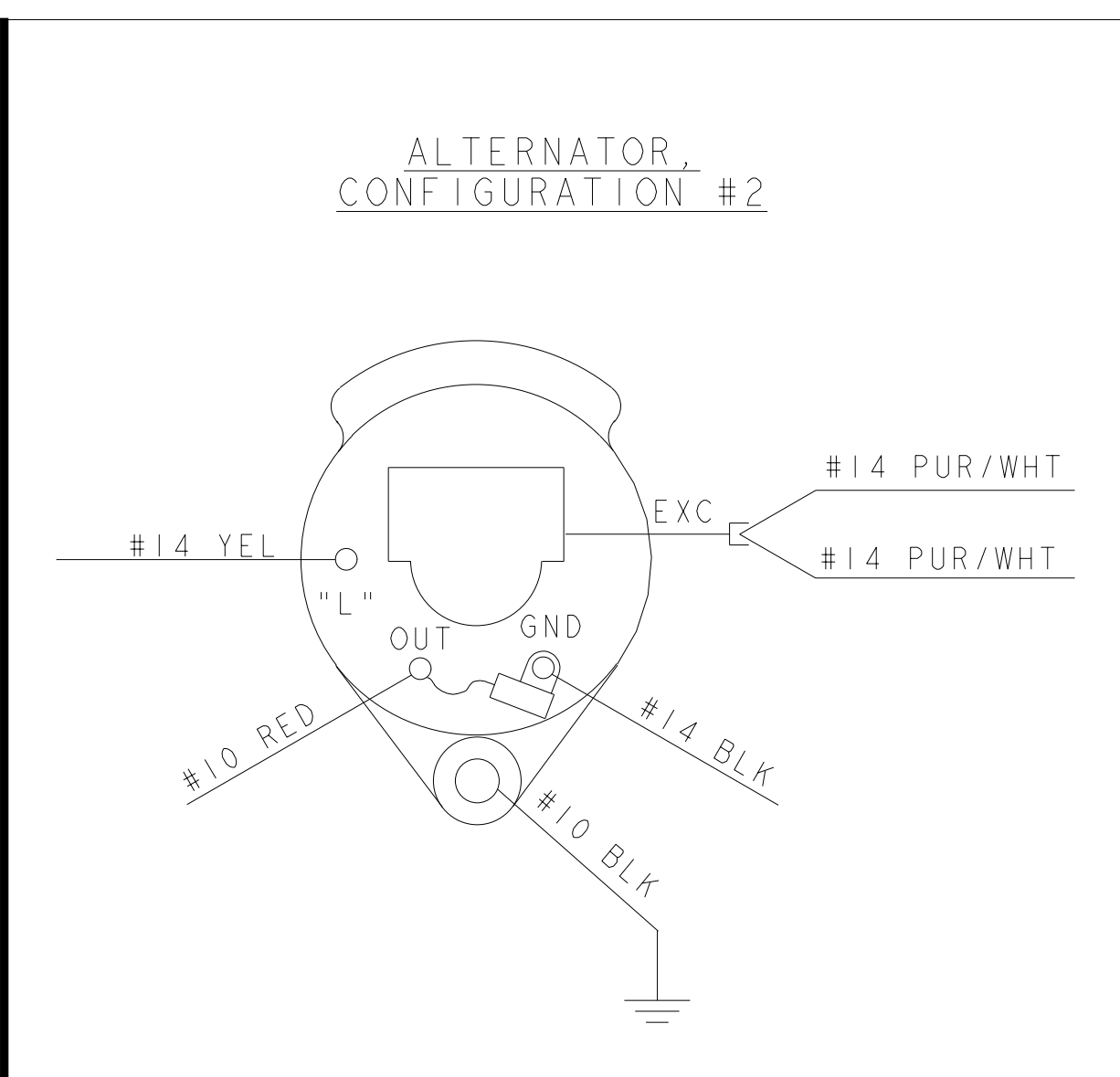
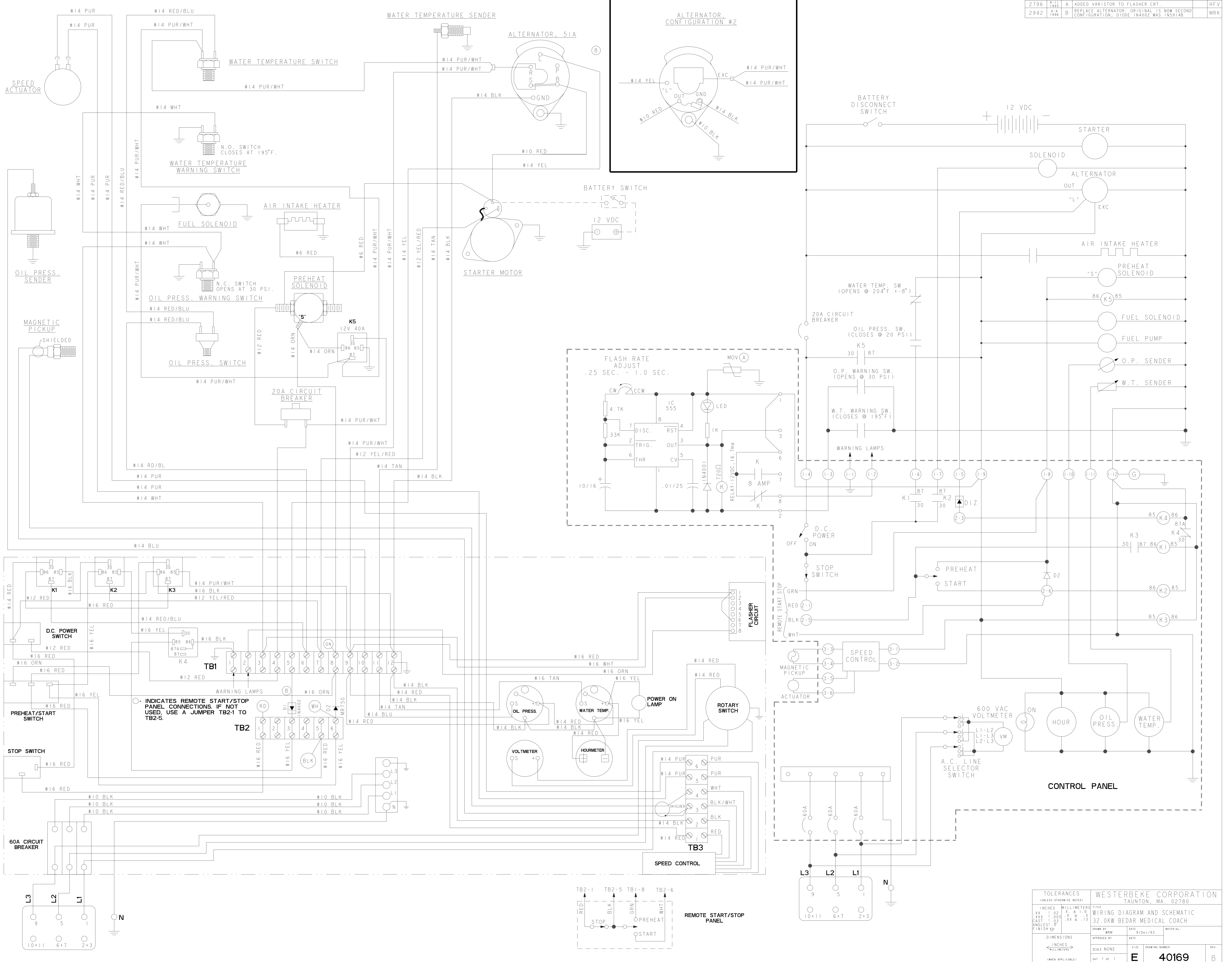


ECO NO.	DATE	REV.	REVISION RECORD	AUTH.	DR. BY
2796	9/11/1995	A	ADDED VARISTOR TO FLASHER CRT.		HFV
2942	4-4-1996	B	REPLACE ALTERNATOR; ORIGINAL IS NOW SECOND CONFIGURATION; DIODE IN4002 WAS IN5914B		MRK



TOLERANCES (UNLESS OTHERWISE NOTED)		WESTERBEKE CORPORATION TAUNTON, MA. 02780	
INCHES	MILLIMETERS	TITLE	
.XX	.02	WIRING DIAGRAM AND SCHEMATIC	
.XXX	.005	32-ORW BEDAR MEDICAL COACH	
CST	.03	DRAWN BY	DATE
FINISH	5	APPROVED BY	DATE
DIMENSIONS		SCALE	SHEET NUMBER
<INCHES>		NONE	1 OF 1
<MILLIMETERS>		E 40169	