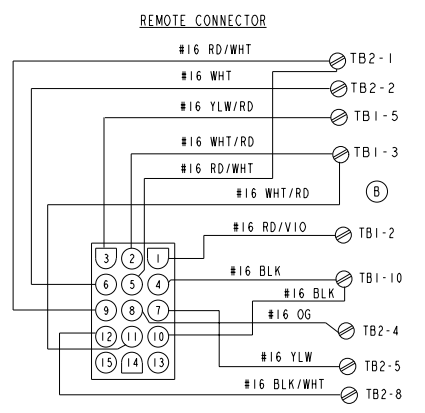
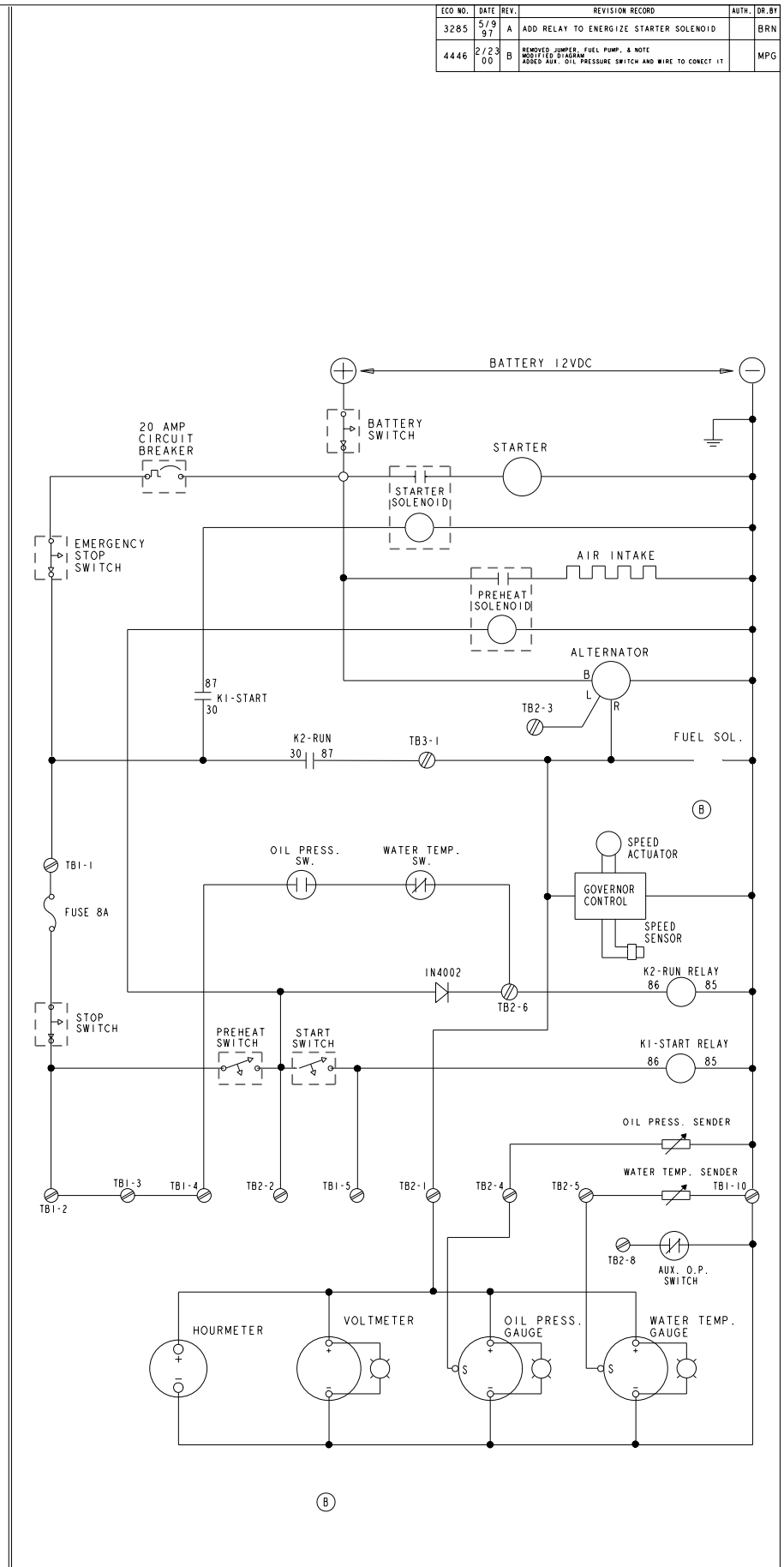
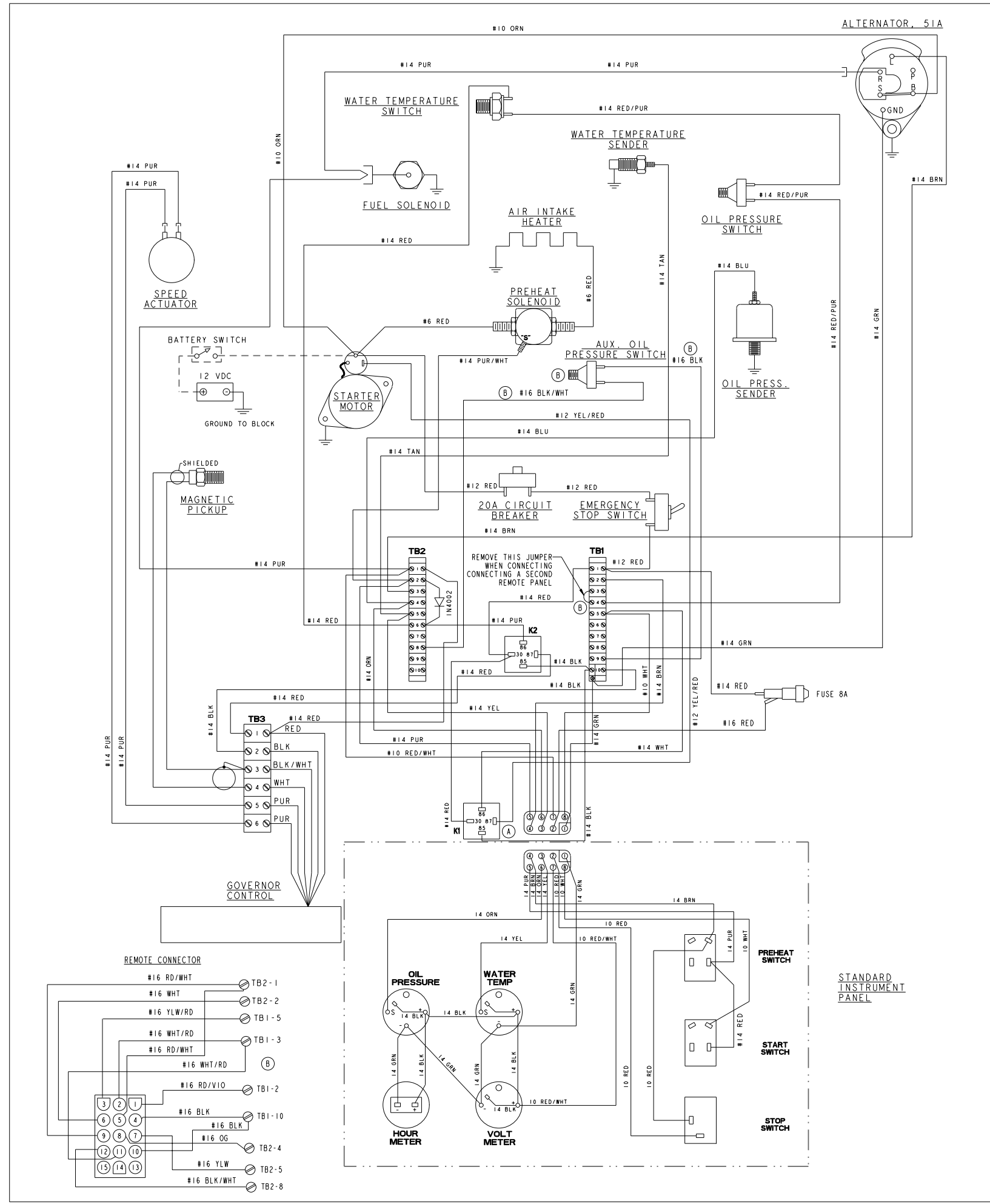


ECO NO.	DATE	REV.	REVISION RECORD	AUTH.	DR. BY
3285	5/9/97	A	ADD RELAY TO ENERGIZE STARTER SOLENOID		BRN
4446	2/23/00	B	REMOVED PUMPER, FUEL PUMP, & NOTE MODIFIED STARTING ADDED AUX. OIL PRESSURE SWITCH AND WIRE TO CONNECT IT		MPG



STANDARD INSTRUMENT PANEL

TOLERANCES		WESTERBEKE CORPORATION	
(UNLESS OTHERWISE NOTED)		AYON, MA. 02322	
INCHES	MILLIMETERS	TITLE	
1/16" ± .005	1.5 ± .05	WIRING DIAGRAM, 32.0 KW BEDAR	
1/32" ± .005	3.0 ± .05	WITH ELECTRONIC GOVERNING	
1/64" ± .005	0.5 ± .05	DRAWN BY	DATE
FINISH	AS SHOWN	BRN	4 MAR 95
DIMENSIONS		APPROVED BY	DATE
INCHES		SCALE NONE	
MILLIMETERS		SIZE	
(WHEN APPLICABLE)		DRAWING NUMBER	
		41171	
		Sht. 1 of 1	