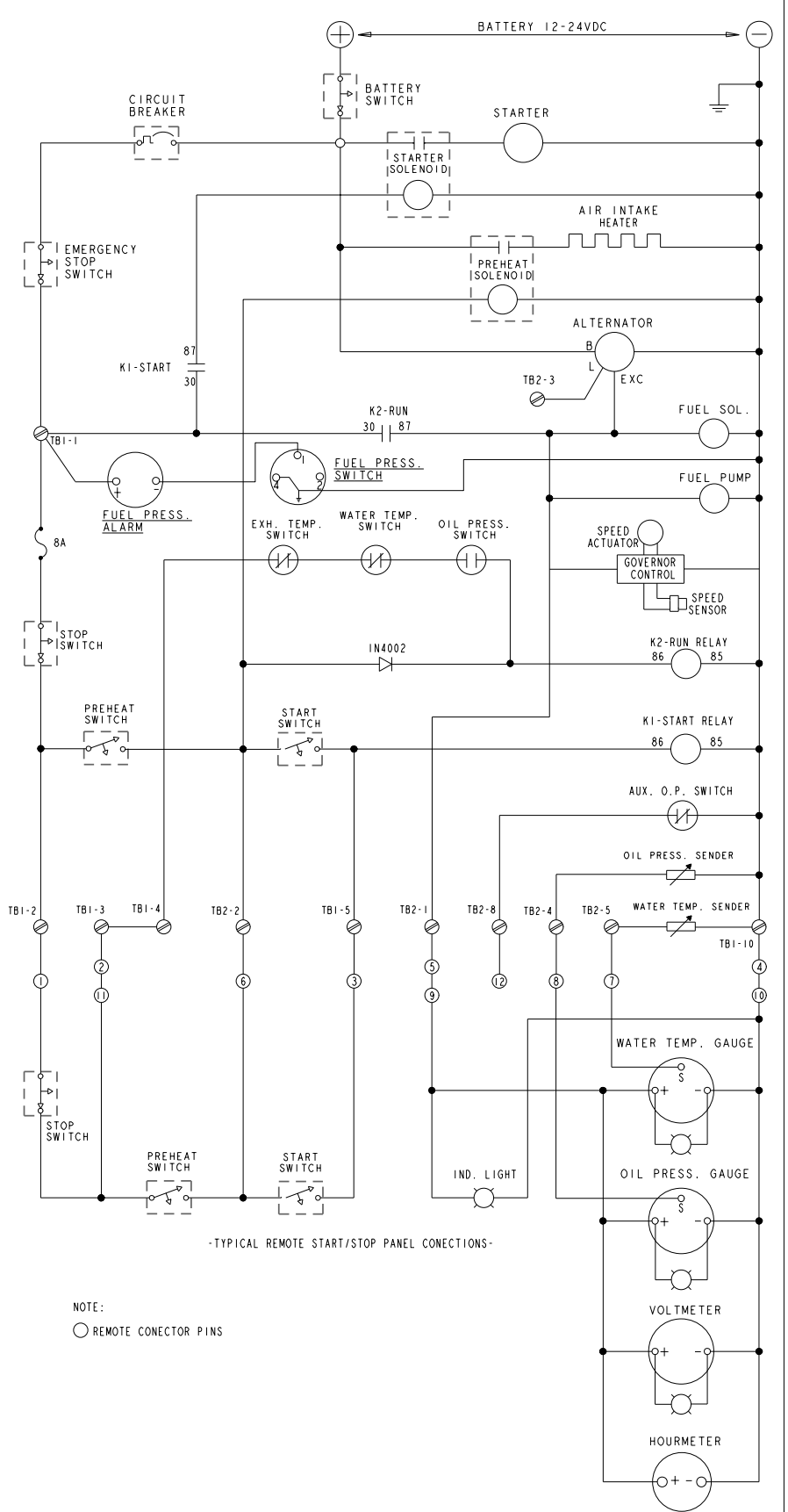
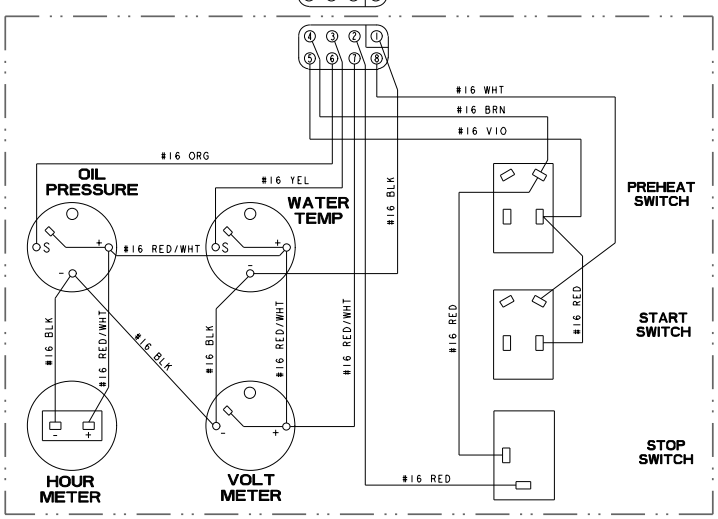
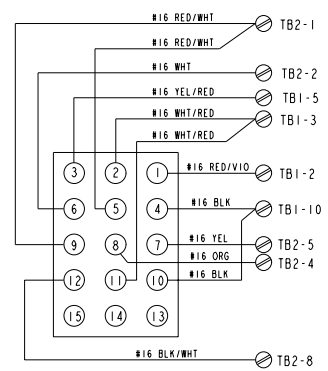


NOTE:  
 1. REMOVE JUMPER WHEN CONNECTING A SECOND REMOTE PANEL.  
 2. GROUND "1" TERMINAL OF PREHEAT SOLENOID ON 24V SYSTEM ONLY.



NOTE:  
 ○ REMOTE CONECTOR PINS

TOLERANCES (UNLESS OTHERWISE NOTED)		WESTERBEKE CORPORATION AVON, MA. 02322	
INCHES	MILLIMETERS	TITLE	
.0015	.0254	WIRING DIAGRAM/SCHEMATIC,	
.003	.0762	32.0 BEDA-SRC DOUBLE WALL FUEL LINE	
.005	.127	DRAWN BY	DATE
.010	.254	GA	31/2019/2002
.015	.381	APPROVED BY	DATE
.030	.762	GA	
.060	1.524	SCALE	NONE
.125	3.175	SHEET	1 OF 1
DIMENSIONS (UNLESS OTHERWISE NOTED)		DRAWING NUMBER	
SCALE NONE		46659	