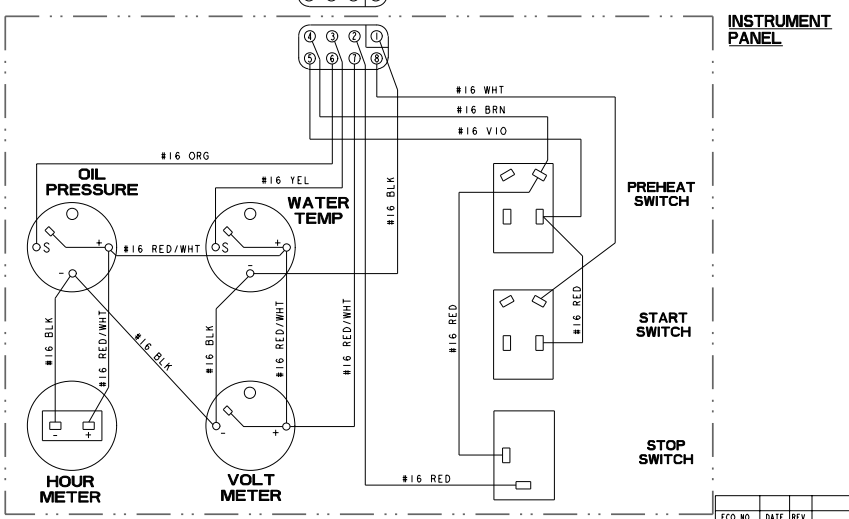
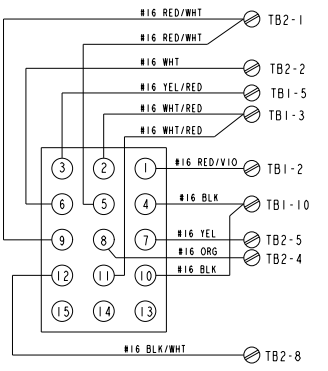


-TYPICAL REMOTE START/STOP PANEL CONNECTIONS-

- NOTE:
- 1. REMOVE CONNECTOR PINS
 - 2. REMOVE METAL SCREEN FROM INJECTION PUMP BEFORE INSTALLING UNGROUNDED FUEL SOLENOID

NOTE:
1. REMOVE JUMPER WHEN CONNECTING A SECOND REMOTE PANEL.



| ECO NO. | DATE | REV. | REVISION RECORD | AUTH. | DR. | BY | ECO NO. | DATE | REV. | REVISION RECORD | AUTH. | DR. | BY |
|---------|------|------|-----------------|-------|-----|----|---------|------|------|-----------------|-------|-----|----|
| | | | | | | | | | | | | | |

| | | | |
|--|-------------|---|----------------|
| TOLERANCES (UNLESS OTHERWISE NOTED) | | WESTERBEKE CORPORATION AVON, MA. 02322 | |
| INCHES | MILLIMETERS | TITLE | |
| FRAMES | | WIRING DIAGRAM/SCHEMATIC, 32.0 BEDA | |
| CAST | | 12-24VDC UNGROUNDED - SRC | |
| ANGLES | | DRAWN BY | DATE |
| FINISH | | | 2/12/10 |
| | | APPROVED BY | DATE |
| | | | |
| DIMENSIONS | SCALE | SHEET | DRAWING NUMBER |
| INCHES | NONE | 1 | 46482 |
| MILLIMETERS | | SAT. 1 of 1 | |