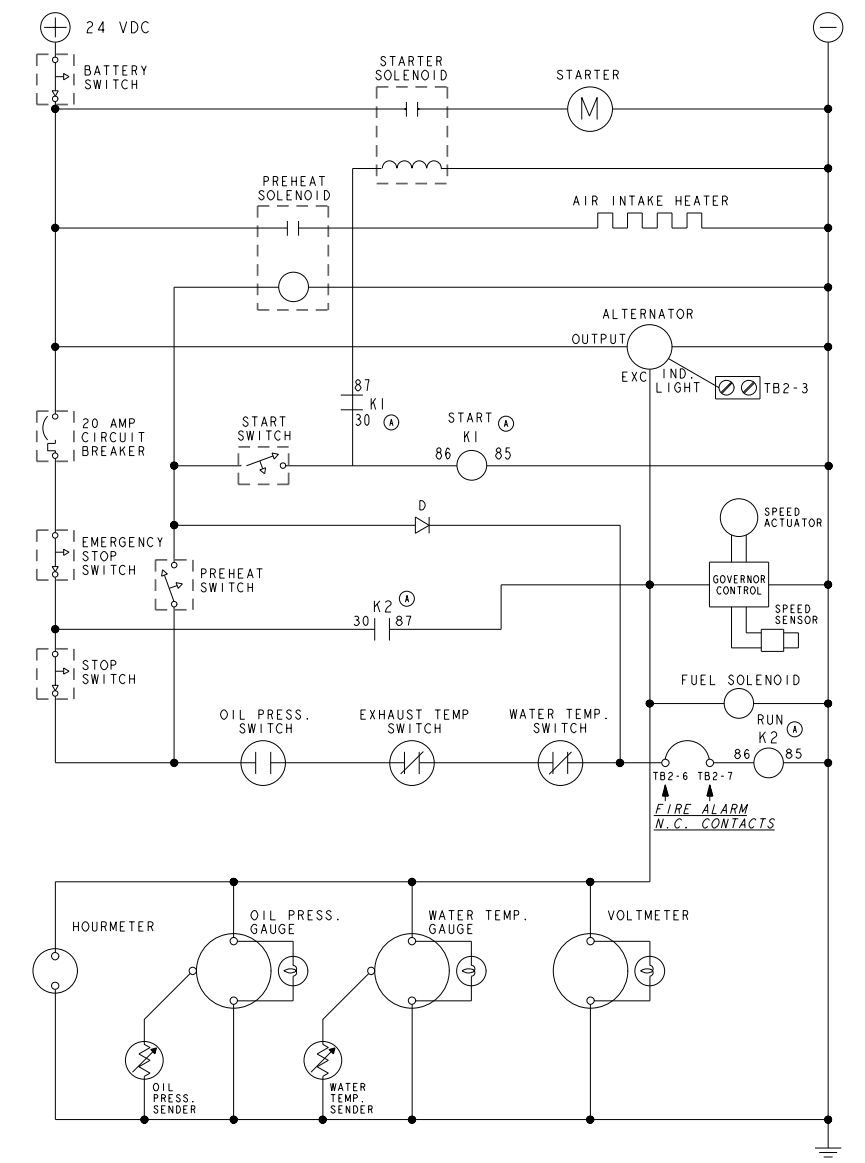
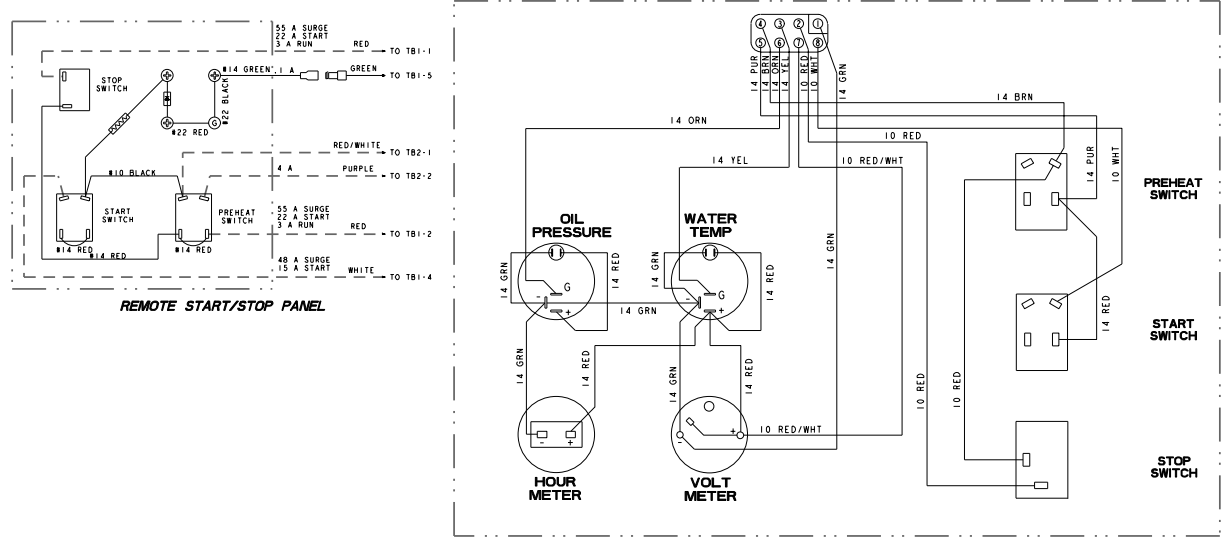
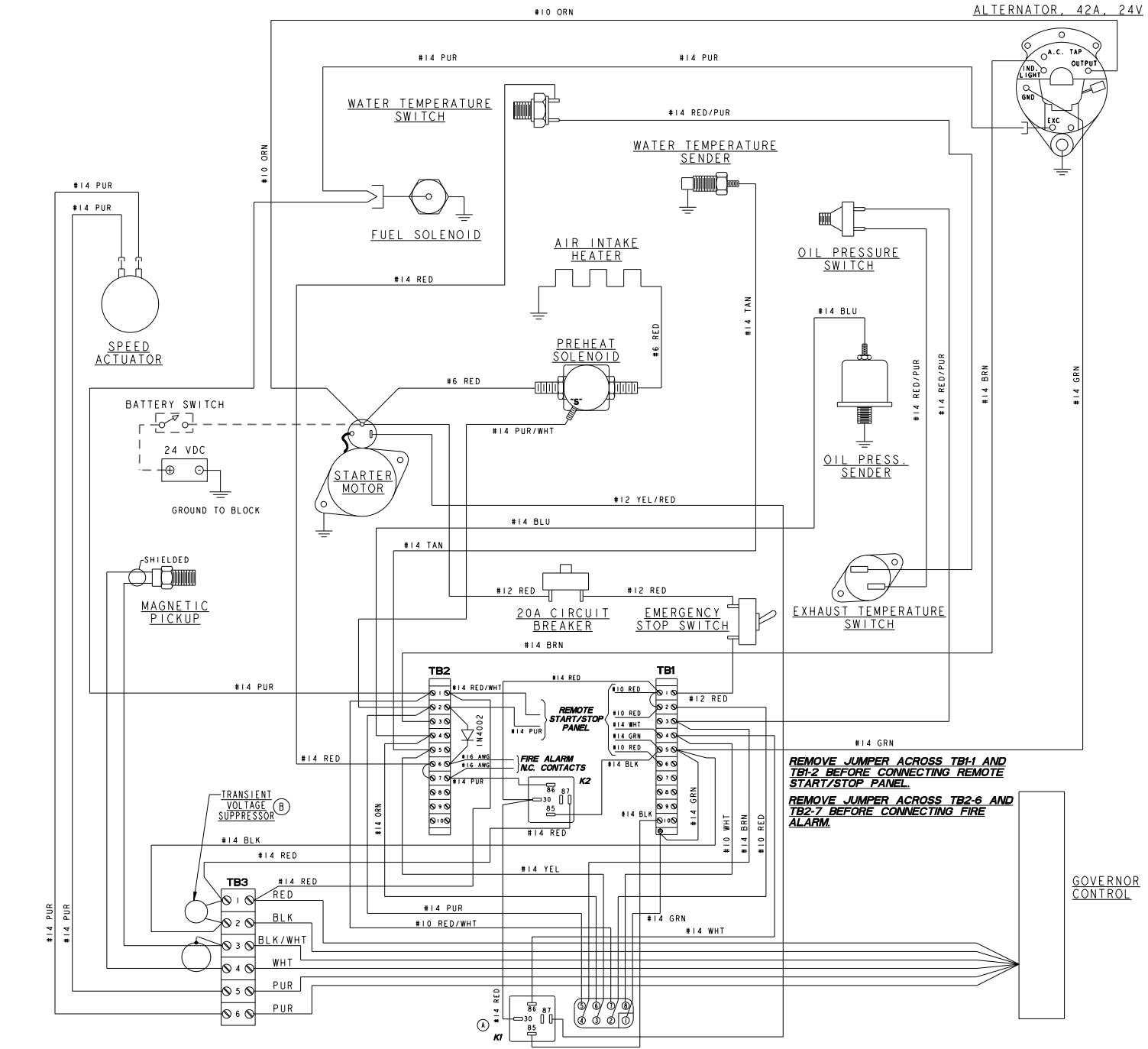


| ECO NO. | DATE | REV | REVISION RECORD | AUTH. | DR. BY |
|---------|--------|-----|------------------------------------|-------|--------|
| 2993 | 7/5 96 | A | ADDED K1 BLOCK | | HFV |
| 4664 | 8/1 99 | B | ADDED TRANSIENT VOLTAGE SUPPRESSOR | | TSM |



| TOLERANCES | | WESTERBEKE CORPORATION | |
|-------------------------|------------------|-------------------------------------|--------------|
| UNLESS OTHERWISE NOTED: | | AVON MA. 02322 | |
| .10 INCHES | 2.54 MILLIMETERS | FILE | |
| .015 INCHES | 0.38 MILLIMETERS | WIRING DIAGRAM, VIKING YACHT - 24V | |
| .005 INCHES | 0.13 MILLIMETERS | 32.0 KW.BEDA W/ELECTRONIC GOVERNING | |
| ANGLES | 30° | DATE | 18 MAR 94 |
| DIMENSIONS | | APPROVED BY | DATE |
| INCHES | | SCALE | NONE |
| MILLIMETERS | | SIZE | DRWG. NUMBER |
| (WHEN APPLICABLE) | | SH. 1 OF 1 | E 41128 B |