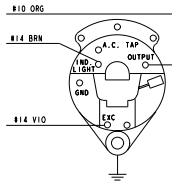
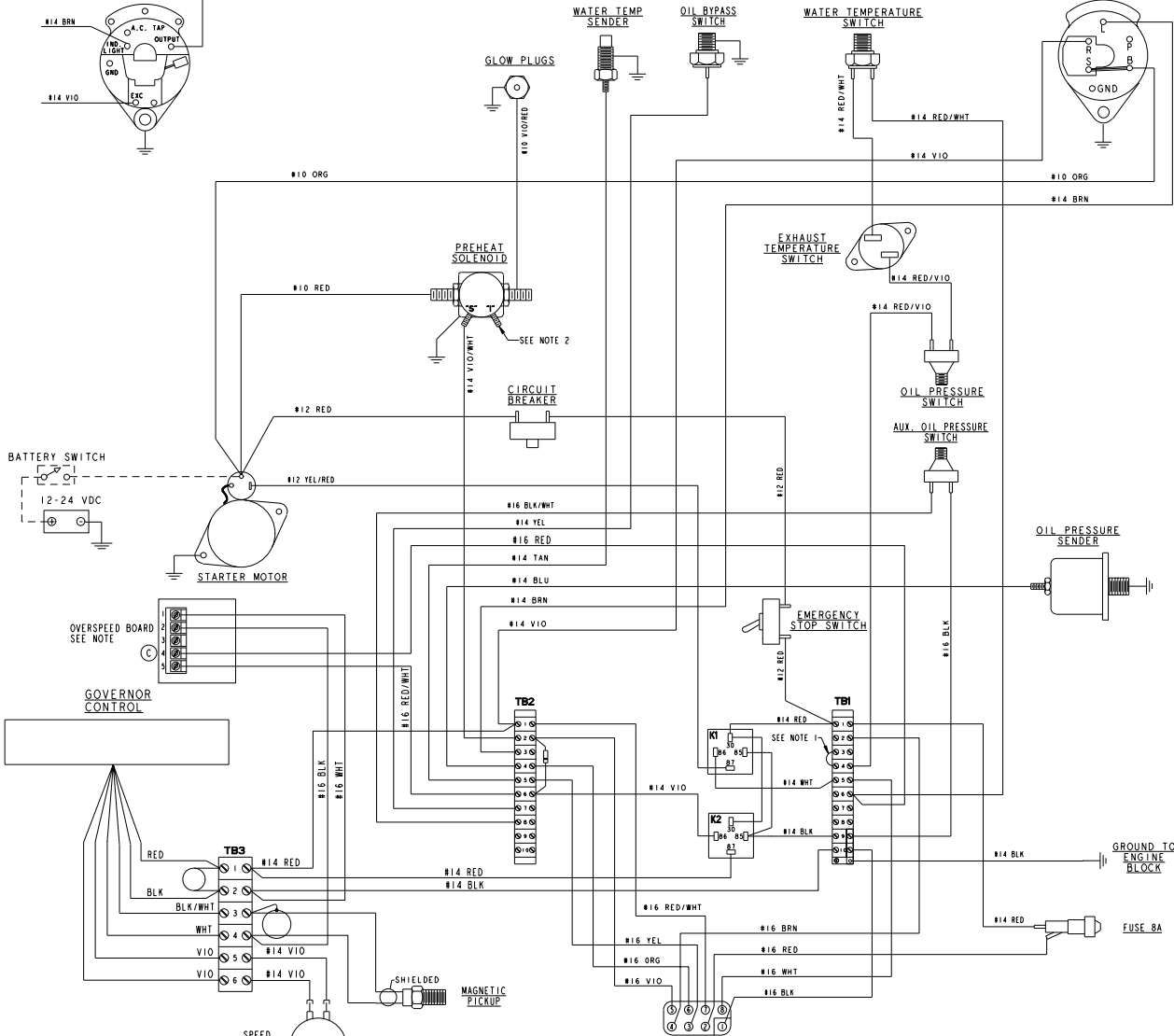
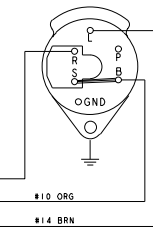


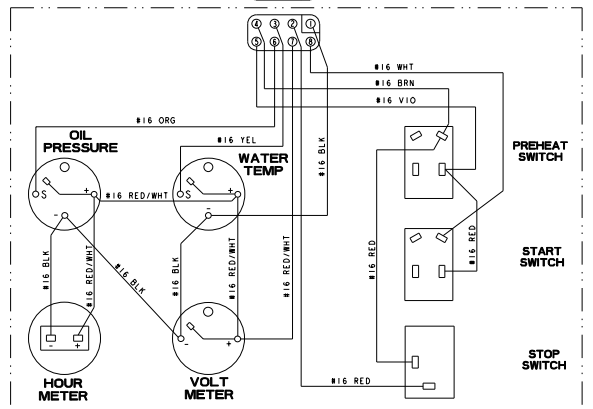
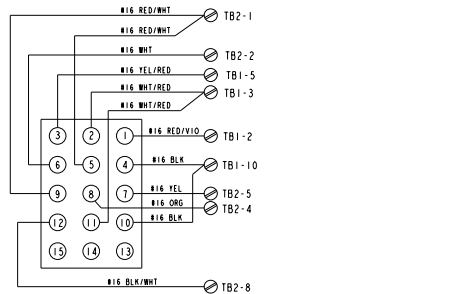
ALTERNATOR, 24VDC 42A



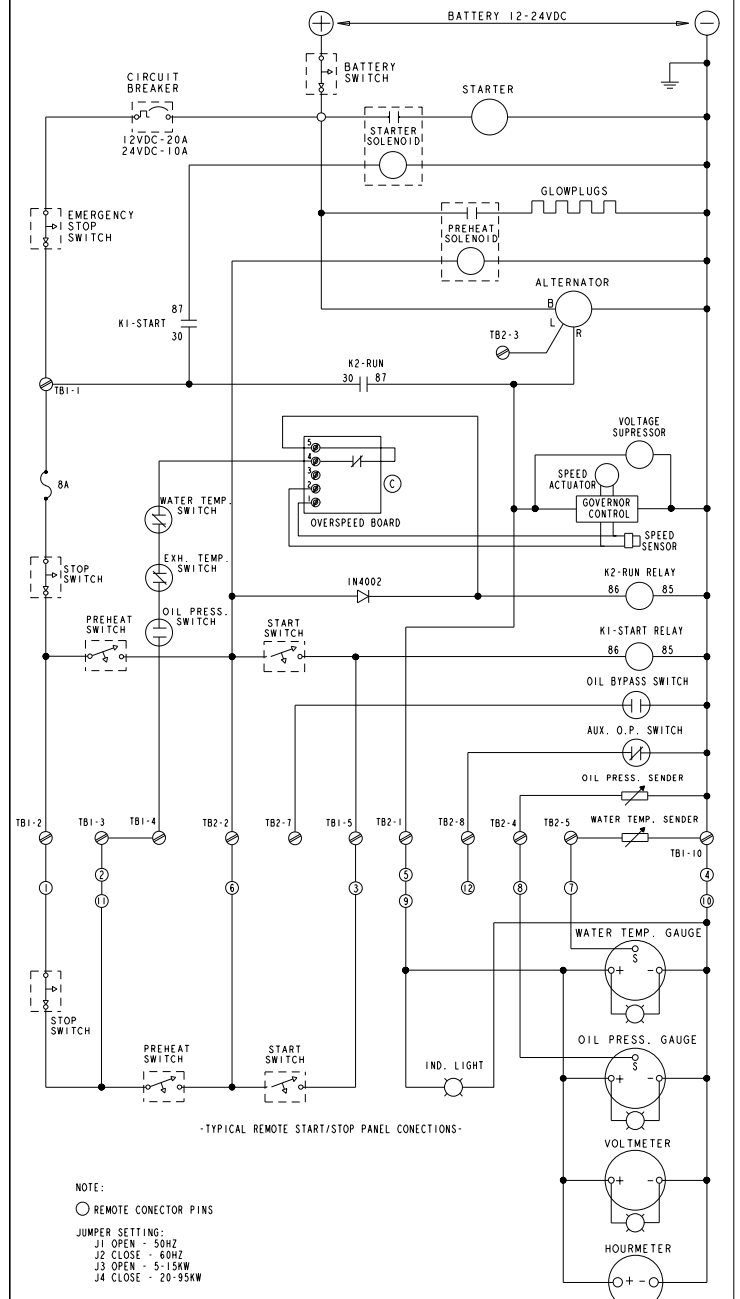
ALTERNATOR, 12V 51A



NOTE:
 1. REMOVE JUMPER WHEN CONNECTING A SECOND REMOTE PANEL.
 2. GROUND "1" TERMINAL OF PREHEAT SOLENOID ON 24V SYSTEM ONLY.



LOG NO.	DATE	REV.	REVISION RECORD	AUTH. DR. BY
4670	8/4 2000	A	ADD VOLTAGE SUPPRESSOR BETWEEN TB3-1, TB3-2	JCA
4823	2/23 2001	B	NORMAL CONDITION OF SWITCHES CORRECTED IN WIRING SCHEMATIC.	JCA
5767	8/22 2004	C	ADD OVERSPEED BOARD	GA



NOTE:
 ○ REMOTE CONNECTOR PINS
 JUMPER SETTING:
 J1 OPEN - 50HZ
 J2 CLOSE - 60HZ
 J3 OPEN - 5-15KW
 J4 CLOSE - 20-95KW

TOLERANCES		WESTERBEKE CORPORATION	
INCHES	FRACTIONS	AVON, MA 02322	
MILLIMETERS			
DRAWING TITLE		WIRING DIAGRAM/SCHEMATIC	
DRAWING NUMBER		MARINE GENERATOR	
DIMENSIONS	DATE	APPROVED BY	DATE
INCHES			
MILLIMETERS			
SCALE		SHEET	DRAWING NUMBER
		OF 1	
DATE		REV.	
E 44780		C	