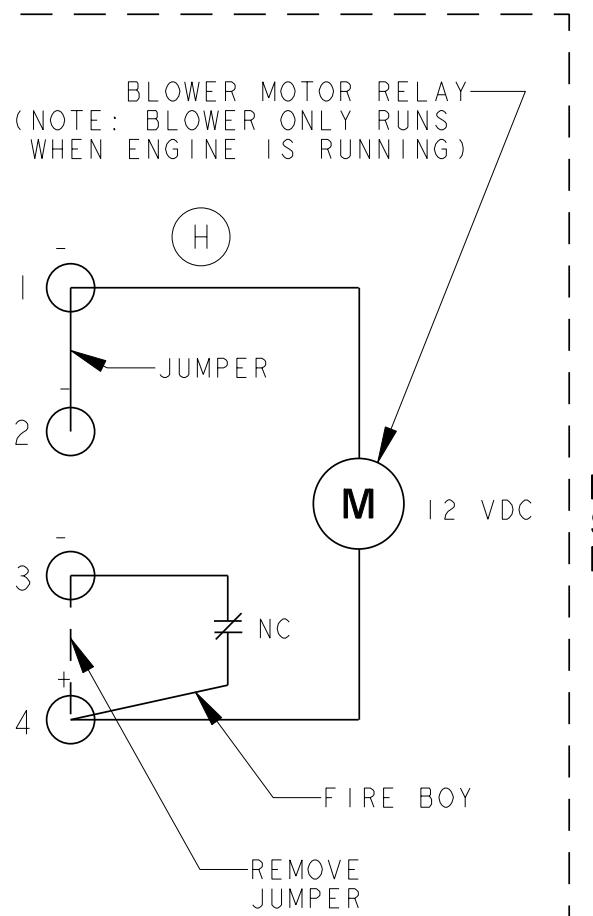
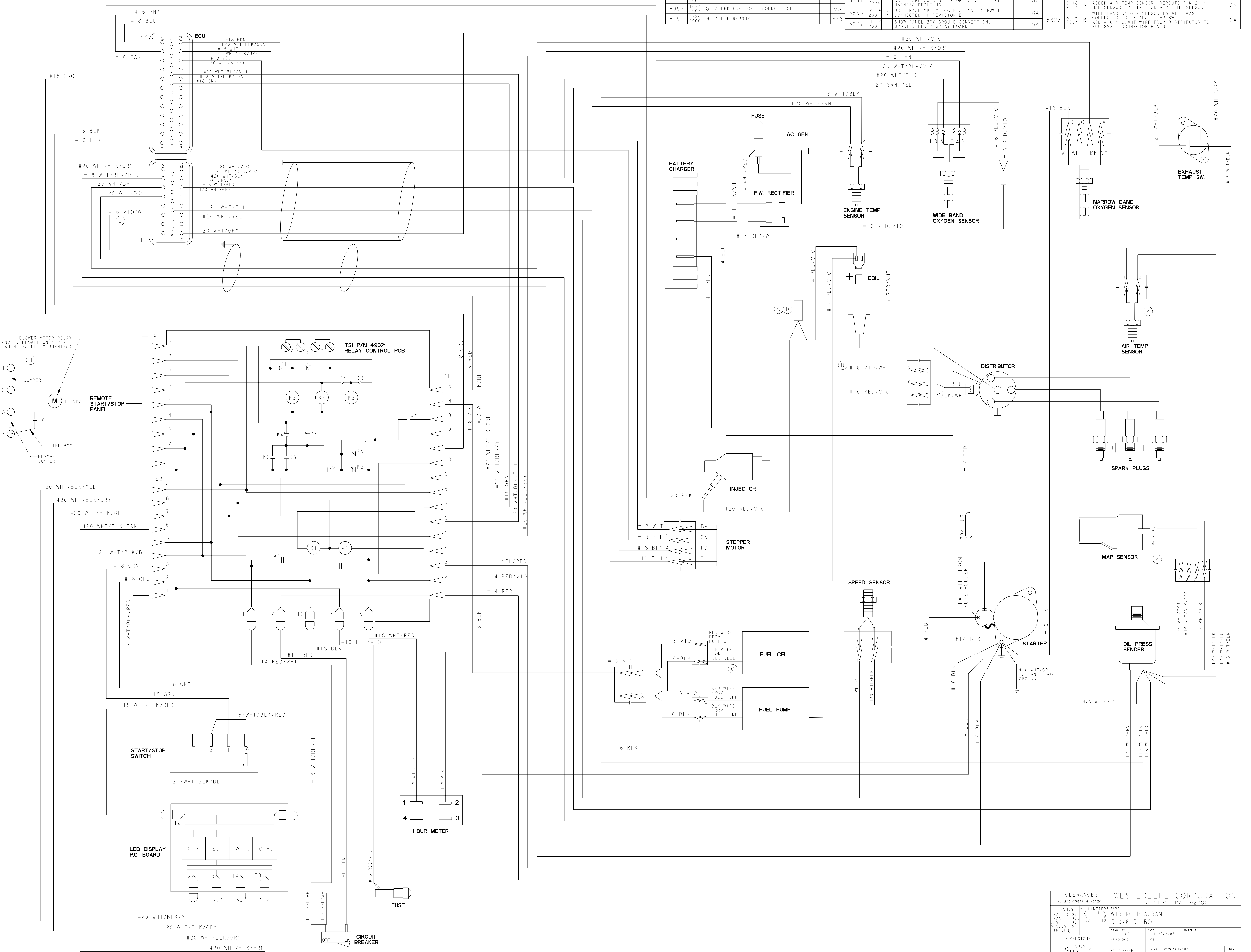


ECO NO.	DATE	REV.	REVISION RECORD	AUTH.	DR. BY
5908	1-7-2005	F	UPDATED HOUR METER WITH 4 TERMINALS.	GA	5741
6097	10-4-2005	G	ADDED FUEL CELL CONNECTION.	GA	5853
6191	4-20-2006	H	ADD FIREBURY	AFS	5877
5741	10-5-2004	C	REDRAW SPLICE CONNECTION FOR INJECTOR, COIL, AND OXYGEN SENSOR TO REPRESENT HARNESS ROUTING.	GA	5823
5853	10-15-2004	D	ROLL BACK SPLICE CONNECTION TO HOW IT CONNECTED IN REVISION B.	GA	5823
5877	11-19-2004	E	SHOW PANEL BOX GROUND CONNECTION. UPDATED LED DISPLAY BOARD.	GA	5823



TOLERANCES (UNLESS OTHERWISE NOTED)		WESTERBEKE CORPORATION TAUNTON, MA. 02780	
INCHES	MILLIMETERS	TITLE	
.XX ± .00	.X ± .1	WIRING DIAGRAM	
.XXX ± .005	.XX ± .13	DRAWN BY	
CST ± .03		DATE	
FINISH ± .2		APPROVED BY	
		SCALE NONE	
		SIZE	
		DRAWING NUMBER	
		REV.	
DIMENSIONS INCHES (WHEN APPLICABLE)		SHT. 1 OF 1	
		E 49166 H	