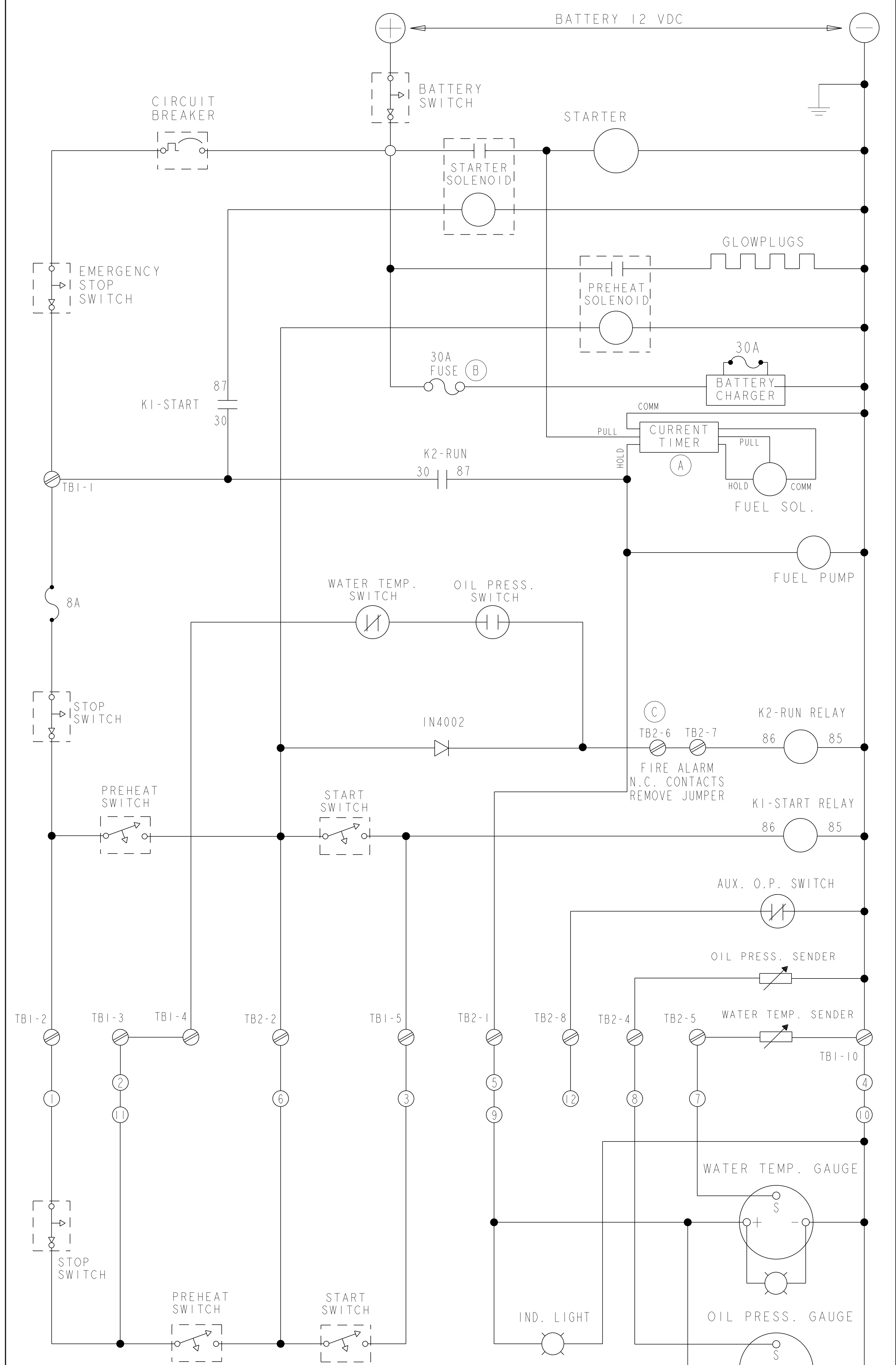
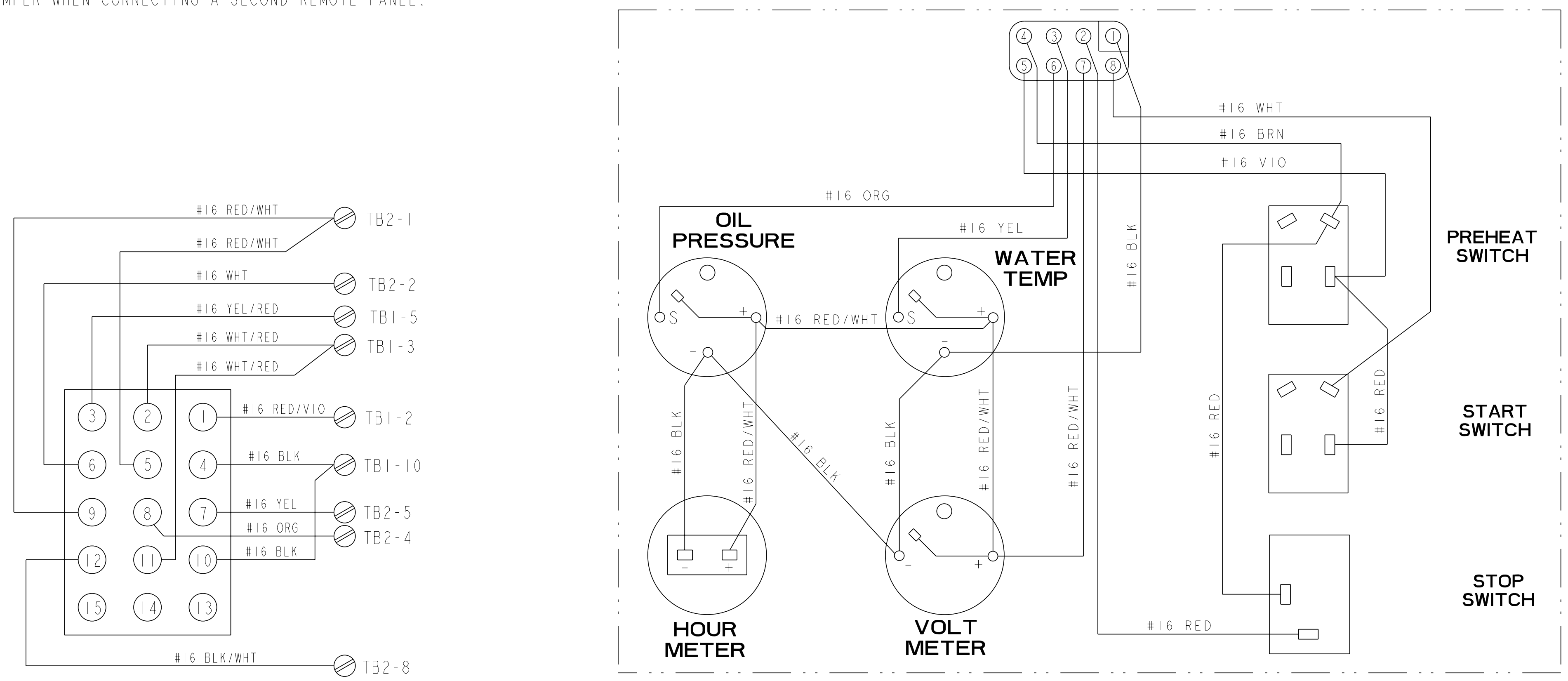


NOTE:
1. REMOVE JUMPER WHEN CONNECTING A SECOND REMOTE PANEL.



-TYPICAL REMOTE START/STOP PANEL CONNECTIONS-

NOTE:
○ REMOTE CONNECTOR PINS

ECO NO.	DATE	REV.	REVISION RECORD	AUTH.	DR. BY

TOLERANCES (UNLESS OTHERWISE NOTED)		WESTERBEKE CORPORATION TAUNTON MA. 02780	
6593	1-4 2003	D	UPDATE TITLE WITH 5.5 BCDR
5861	11-3 2004	C	ADDED JUMPER BETWEEN TB2-6&7; K2-86 WAS CONNECTED TO TB2-6.
5610	9-17 2003	B	ADDED 30A FUSE TO BATTERY CHARGER CONNECTION; REROUTE BATTERY CHARGER CONNECTION TO STARTER INSTEAD OF CIRCUIT BREAKER
5082	10-24 01	A	ADDED CURRENT TIMER

GA	INCHES .02	MILLIMETERS .5
GA	CAST .005	FINISH .02
GA	FINISH .02	

DRN BY	MPG	DATE	16/Mar/00	MATERIAL	
APPROVED BY		DATE			
SCALE	NONE	SIZE	DRAWING NUMBER		
		Sht. 1 of 1	44742		