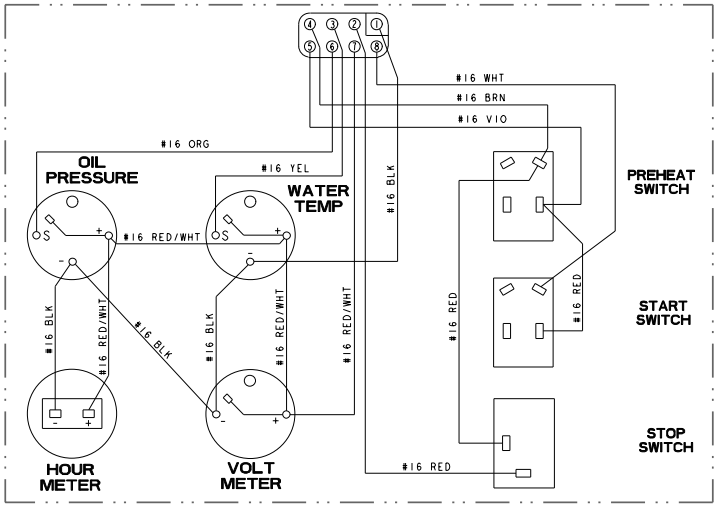
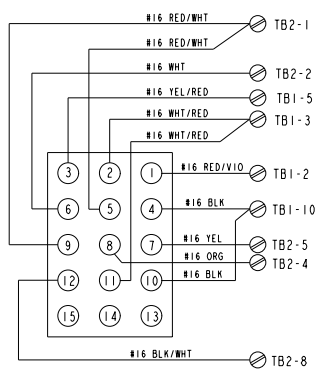


NOTE:  
1. REMOVE JUMPER WHEN CONNECTING A SECOND REMOTE PANEL.



NOTE:  
1. REMOTE CONNECTOR PINS  
2. JUMPER SETTING:  
J1 OPEN-50HZ  
J1 CLOSE-60HZ  
J2 OPEN-515KW  
J2 CLOSE-20-95KW

ECO NO.	DATE	REV.	REVISION RECORD	AUTH.	DR. BY
5707	4-9-2004	B	ADD OVERSPEED BOARD		GA
5610	9-17-2003	A	ADDED 30A FUSE TO BATTERY CHARGER CONNECTION; REROUTE BATTERY CHARGER CONNECTION TO STARTER INSTEAD OF CIRCUIT BREAKER		GA

TOLERANCES (UNLESS OTHERWISE NOTED)		WESTERBEKE CORPORATION AVON, MA. 02322	
INCHES	MILLIMETERS	TITLE	DATE
FRAMES	±.005	WIRING DIAGRAM/SCHEMATIC, 5.0 BCDB - SRC W/ ELECT. GOV. <td>19 JAN 2001</td>	19 JAN 2001
OTHER	±.010	APPROVED BY	DATE
ANGLES	±.03	SCALE NONE	DRAWING NUMBER
FINISH	AS	SHEET 1 OF 1	45633

ECO NO.	DATE	REV.	REVISION RECORD	AUTH.	DR. BY