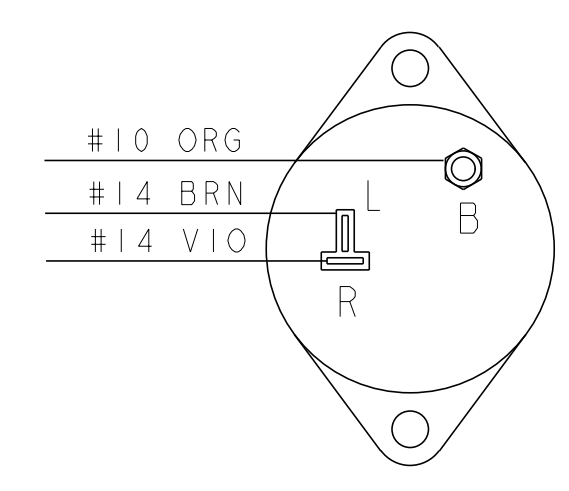
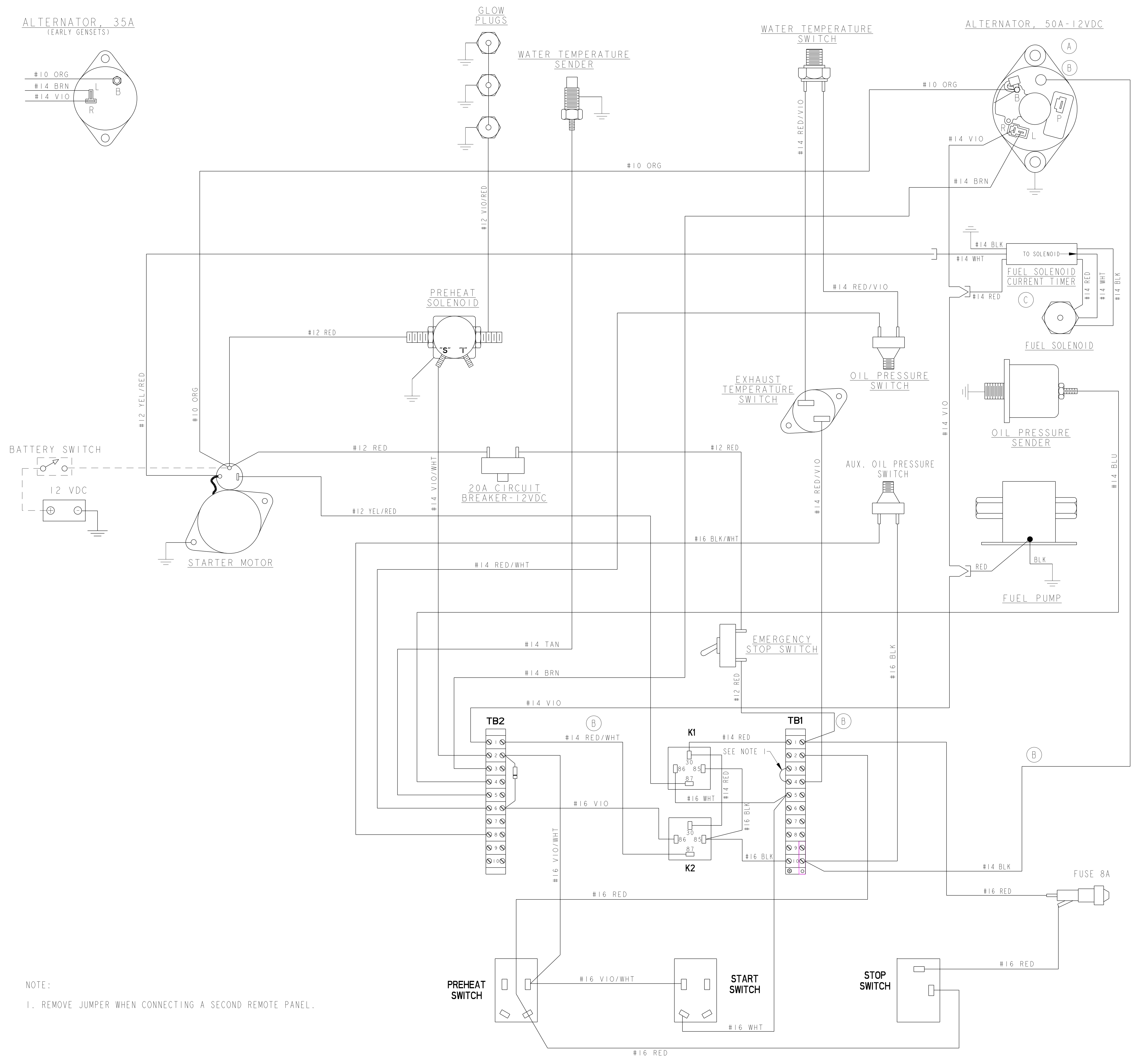
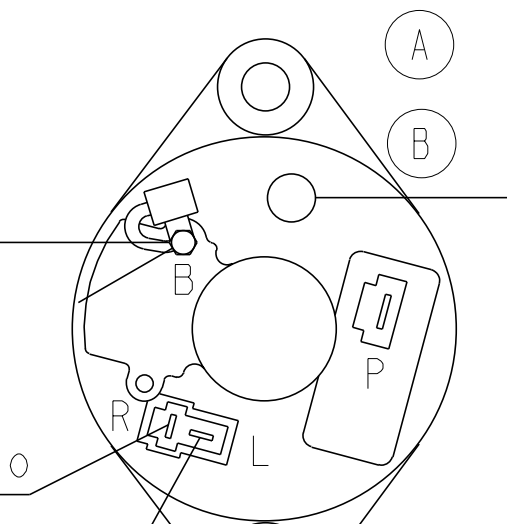


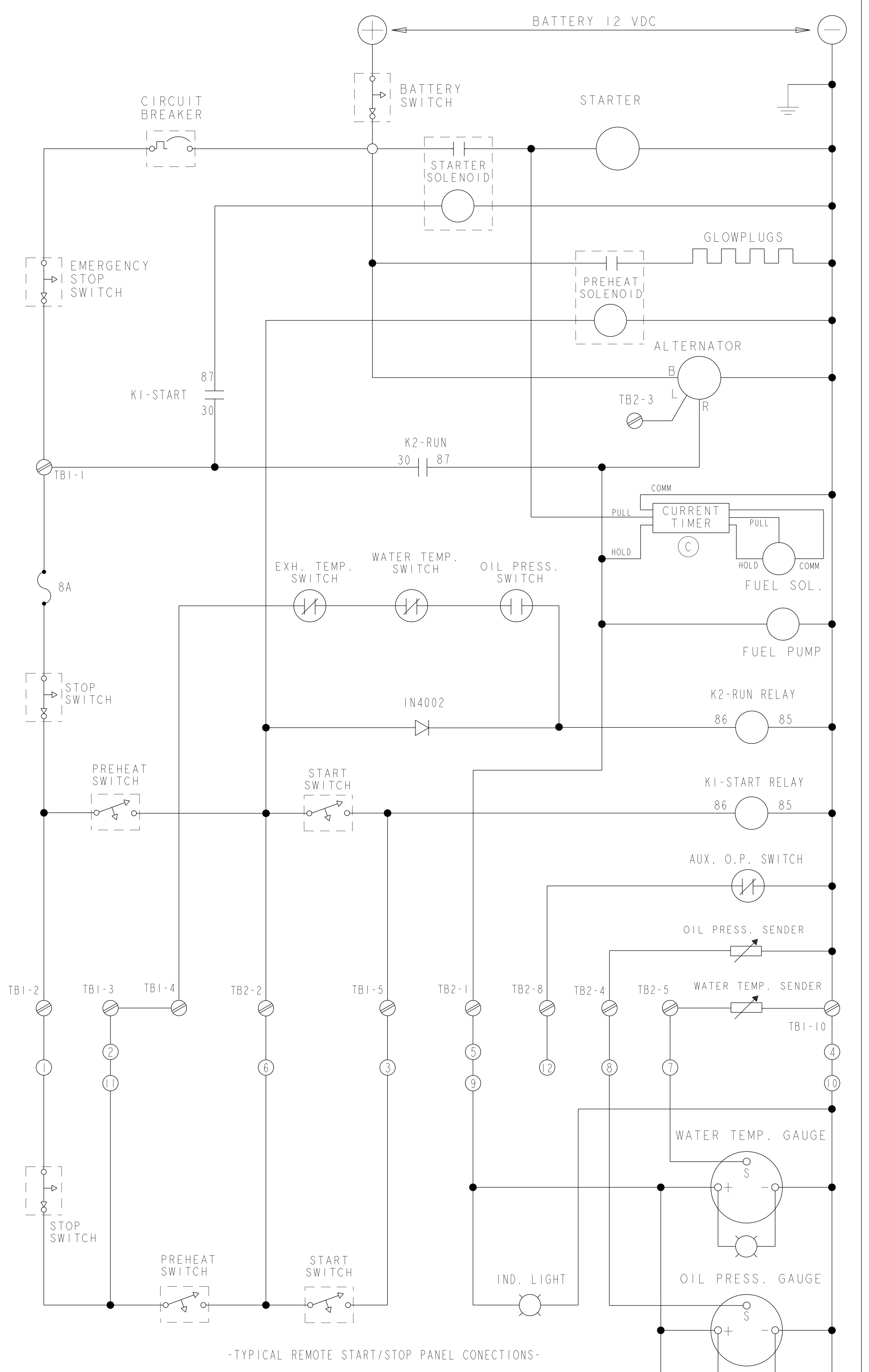
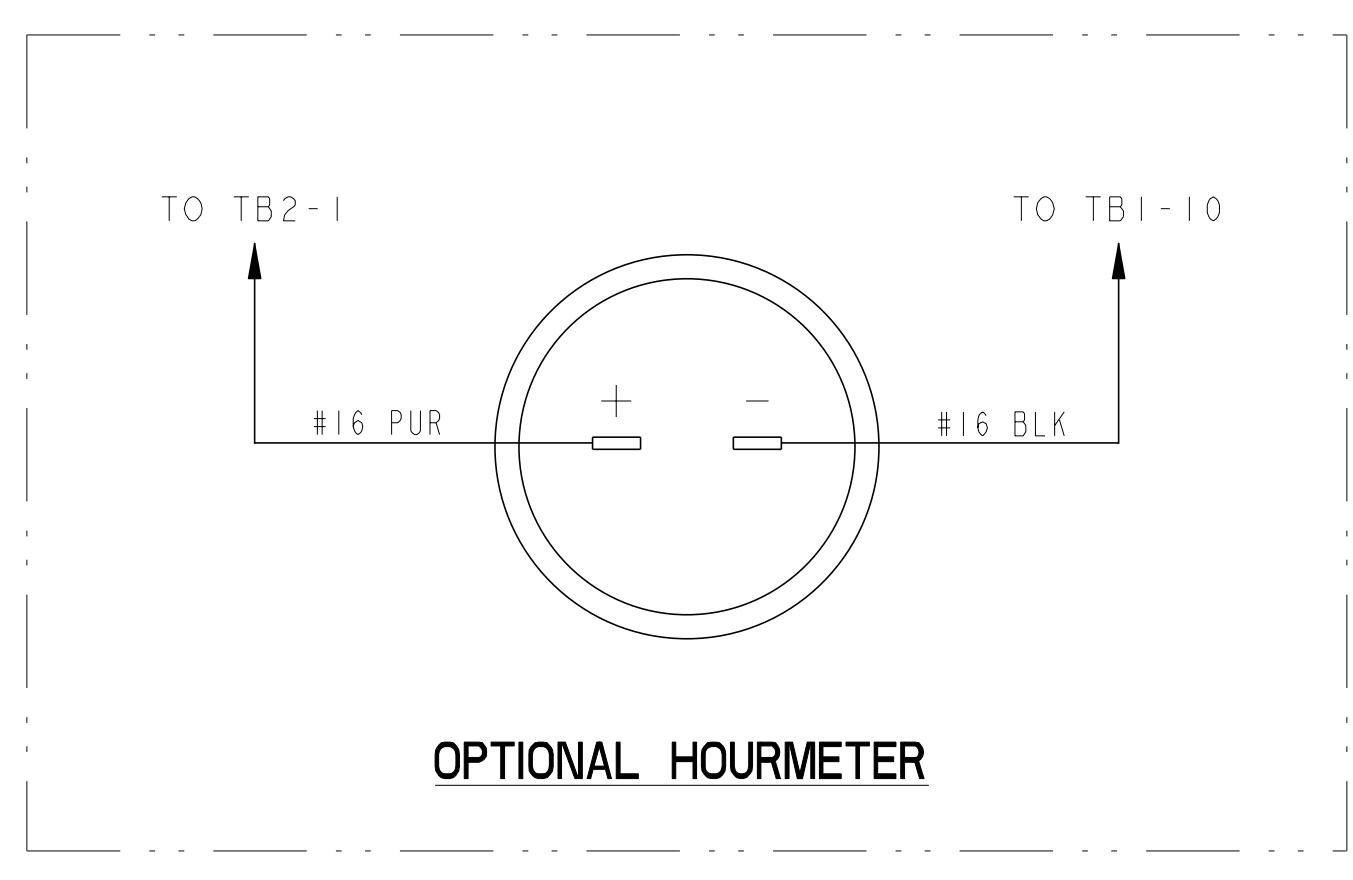
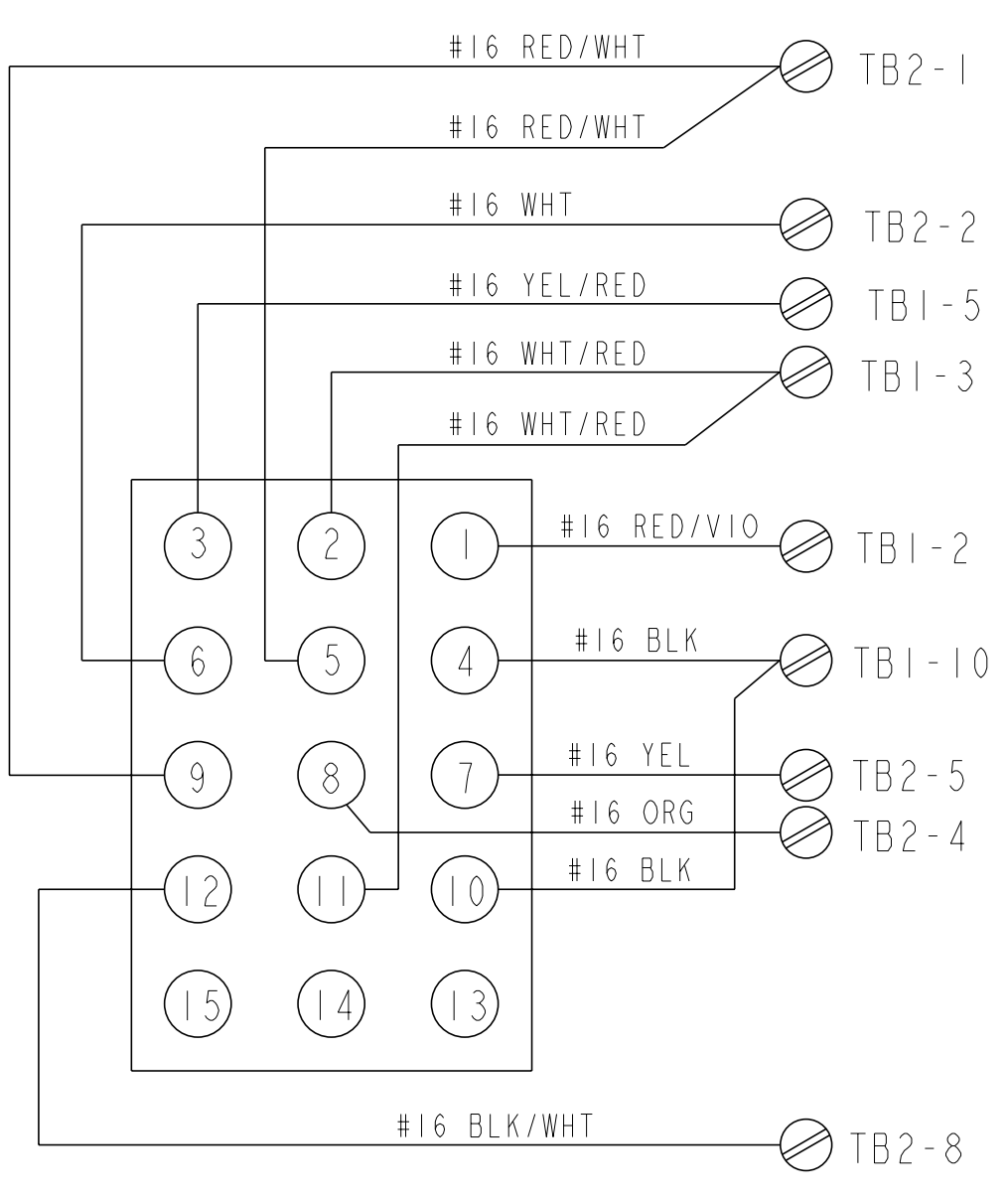
ALTERNATOR, 35A
(EARLY GENSETS)



ALTERNATOR, 50A-12VDC



NOTE:
1. REMOVE JUMPER WHEN CONNECTING A SECOND REMOTE PANEL.



NOTE:
○ REMOTE CONNECTOR PINS

| ECO NO. | DATE | REV. | REVISION RECORD | AUTH. | DR. BY |
|---------|----------|------|--|-------|--------|
| 5082 | 10/24/01 | C | ADDED CURRENT TIMER | | TSM |
| 4876 | 4/9/01 | B | UPDATED SCHEMATIC TO SHOW GROUND ON ALTERNATOR | | JCH |
| 4632 | 12/20/00 | A | UPDATED ALTERNATOR WIRING SCHEMATIC | | TSM |

| ECO NO. | DATE | REV. | REVISION RECORD | AUTH. | DR. BY |
|---------|----------|------|--|-------|--------|
| 5082 | 10/24/01 | C | ADDED CURRENT TIMER | | TSM |
| 4876 | 4/9/01 | B | UPDATED SCHEMATIC TO SHOW GROUND ON ALTERNATOR | | JCH |
| 4632 | 12/20/00 | A | UPDATED ALTERNATOR WIRING SCHEMATIC | | TSM |

| TOLERANCES (UNLESS OTHERWISE NOTED) | | WESTERBEKE CORPORATION AVON MA. 02322 | |
|--|-------------|--|----------------|
| INCHES | MILLIMETERS | TITLE | |
| .xx | .00 | WIRING DIAGRAM/SCHEMATIC, | |
| .xxx | .005 | 7.6 BTD MINI - SRC | |
| CAST | .03 | DRAWN BY | DATE |
| FINISH | .02 | APPROVED BY | DATE |
| | | SCALE | NONE |
| | | SIZE | DRAWING NUMBER |
| | | SHT. 1 of 1 | E 44734 |