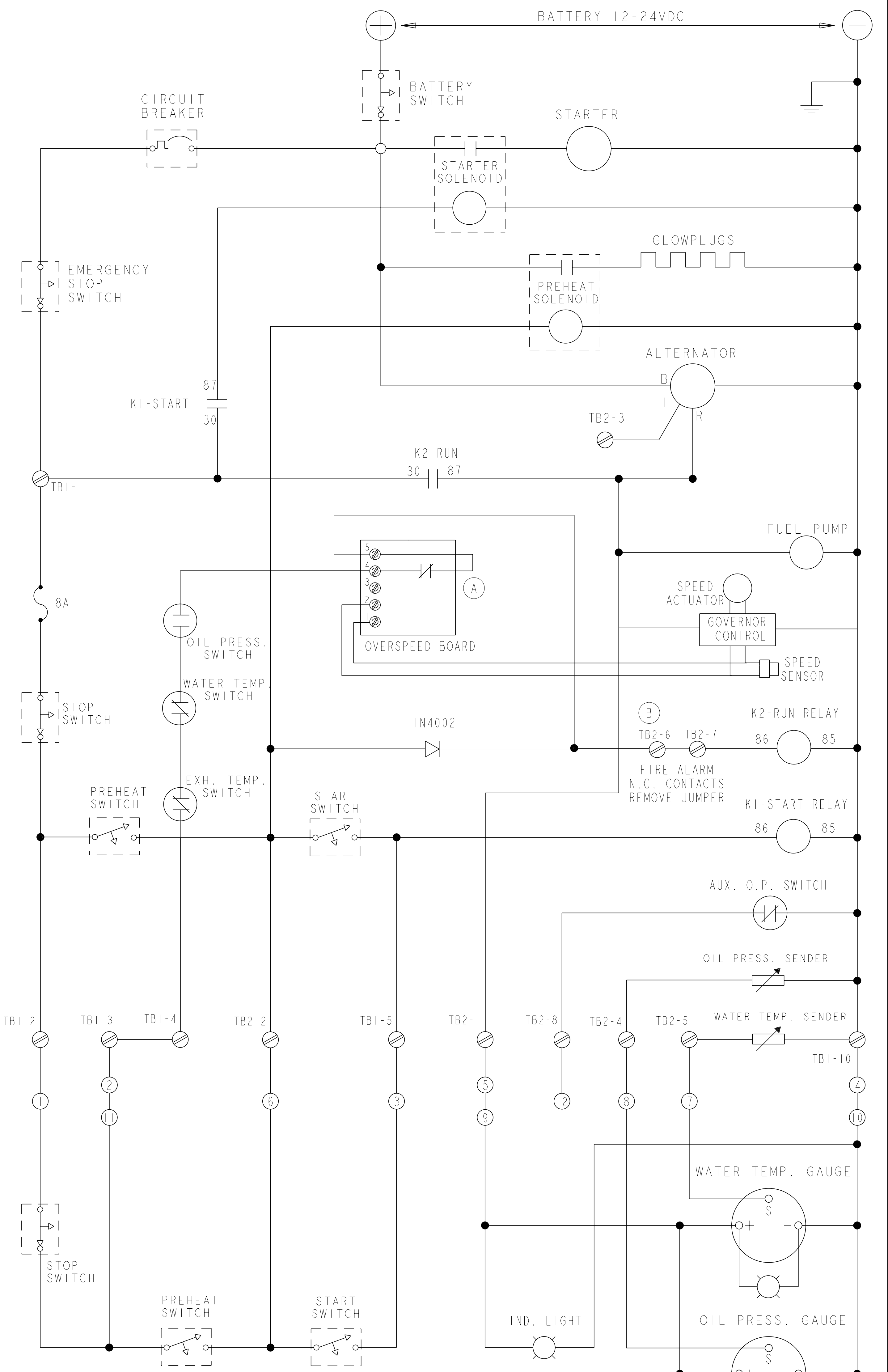
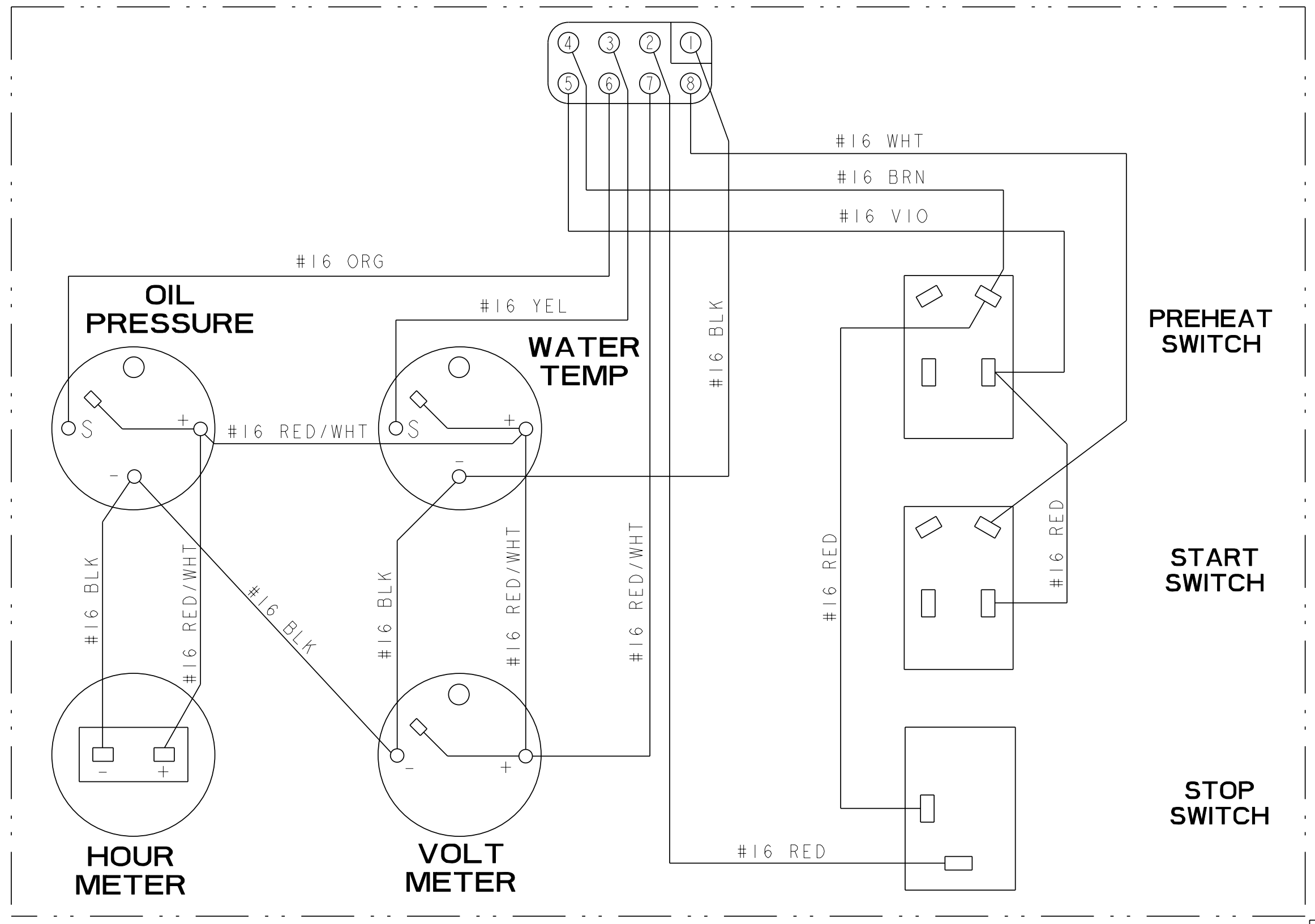
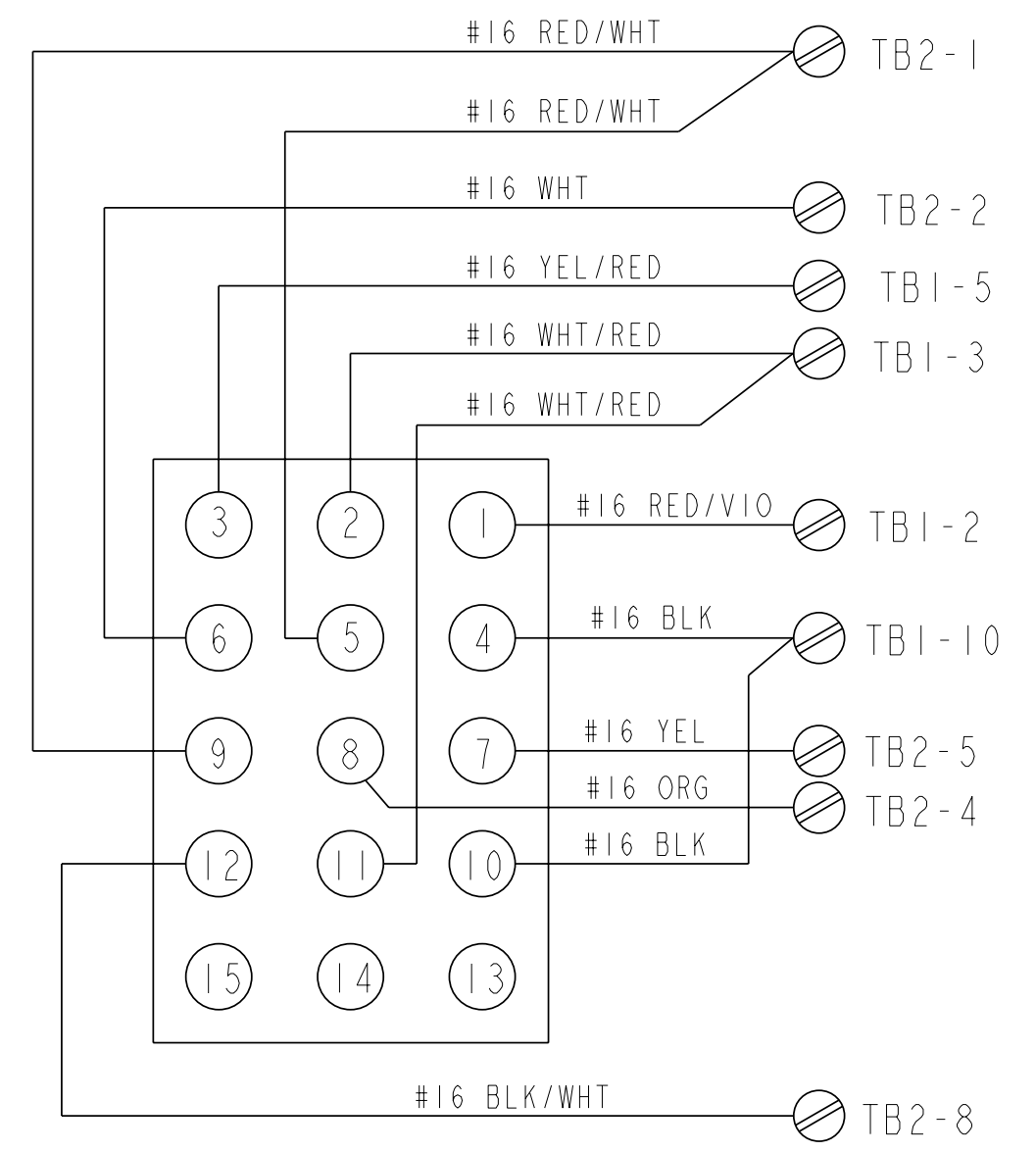


NOTE:
 1. REMOVE JUMPER WHEN CONNECTING A SECOND REMOTE PANEL.
 2. GROUND "1" TERMINAL OF PREHEAT SOLENOID ON 24V SYSTEM ONLY.



- TYPICAL REMOTE START/STOP PANEL CONNECTIONS -

NOTE:
 1. REMOTE CONNECTOR PINS
 2. JUMPER SETTING:
 J1 OPEN-50HZ
 J1 CLOSE-60HZ
 J2 OPEN-5-15KW
 J2 CLOSE-20-95KW

TOLERANCES (UNLESS OTHERWISE NOTED)		WESTERBEKE CORPORATION AVON MA. 02322	
INCHES	MILLIMETERS	TITLE	
.XX : .02	.X :	WIRING DIAGRAM, 8.0-10.0 BTDA, 11.5/12.6 BTDA, 12.5 BTDA, 15.0 BTDC-SRC W/ELECT GOV	
FRK : .005	.X :	DRN BY	DATE
CAST : .010	.X :	JRS	16/JUN/00
FINISH : .015	.X :	APPROVED BY	DATE
ANGLE :	.02	GA	
FINISH :		SCALE	NONE
		SIZE	
		DRAWING NUMBER	
		REV.	
		(WHEN APPLICABLE)	Sht. 1 of 1
			E 44927
			C

ECD NO.	DATE	REV.	REVISION RECORD	AUTH.	DR. BY
6518	5-28-2008	C	ADD 11.5 BTDA MODEL IN TITLE BOX	GA	
5861	11-3-2004	B	ADDED JUMPER BETWEEN TB2-6&7; TB2-8 WAS CONNECTED TO TB2-6.	GA	
5707	4-1-2004	A	ADD OVERSPEED BOARD.	GA	