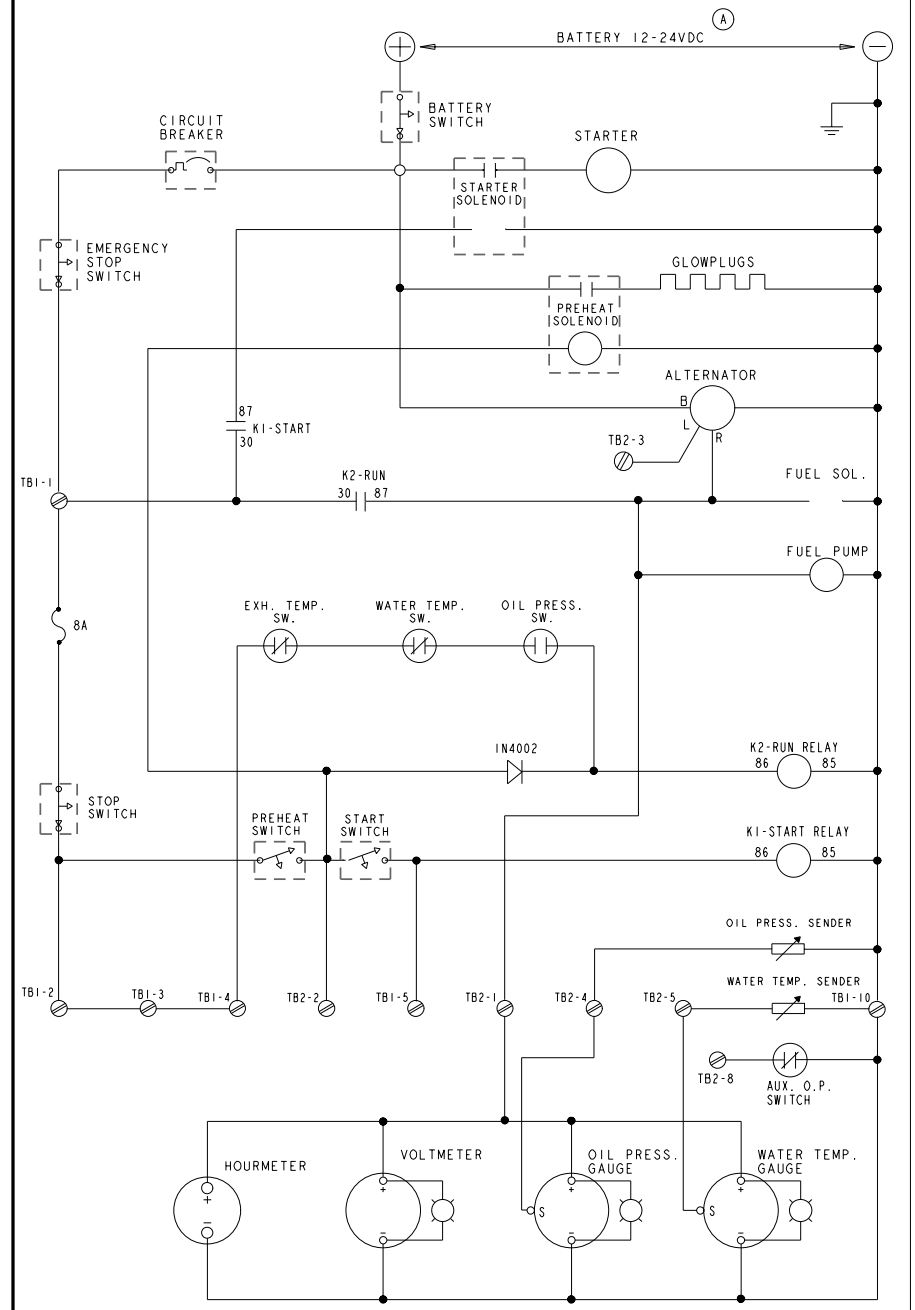


ECO NO.	DATE	REV.	REVISION RECORD	AUTH.	DR. BY
4370	1/11/80	A	CHANGED MODEL NUMBERS (8.0, 10.0, 12.5) TO 8.0 BTDA, 10.0 BTDA, 12.5 BTDB. UPDATED DRW TO INCLUDE 24V.		CS
4758	1-3-83	B	#14 RED/WHITE WIRE WAS #14 RED. #12 RED WIRE FROM P.H. SOLENOID TO STARTER WAS FROM P.H. SOLENOID TO 20A BREAKER		WRM



TOLERANCES		WESTERBEKE CORPORATION	
UNLESS OTHERWISE NOTED:		AVON, MA. 02322	
INCHES	MILLIMETERS	TITLE	
FR	FR	WIRING DIAGRAM/ SCHEMATIC 8.0 BTDA, 10.0 BTDA, 12.5 BTDB, 15.0 BTDC	
ANGLES	ANGLES	DATE	DATE
FINISH	FINISH	1/28/80	1/28/80
DIMENSIONS		APPROVED BY	DATE
INCHES	MILLIMETERS		1/28/80
SCALE		SHEET	DRAWING NUMBER
1" = 1"		1 OF 1	E 43647