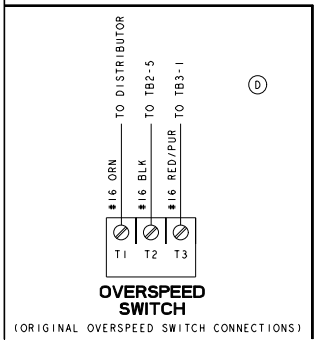
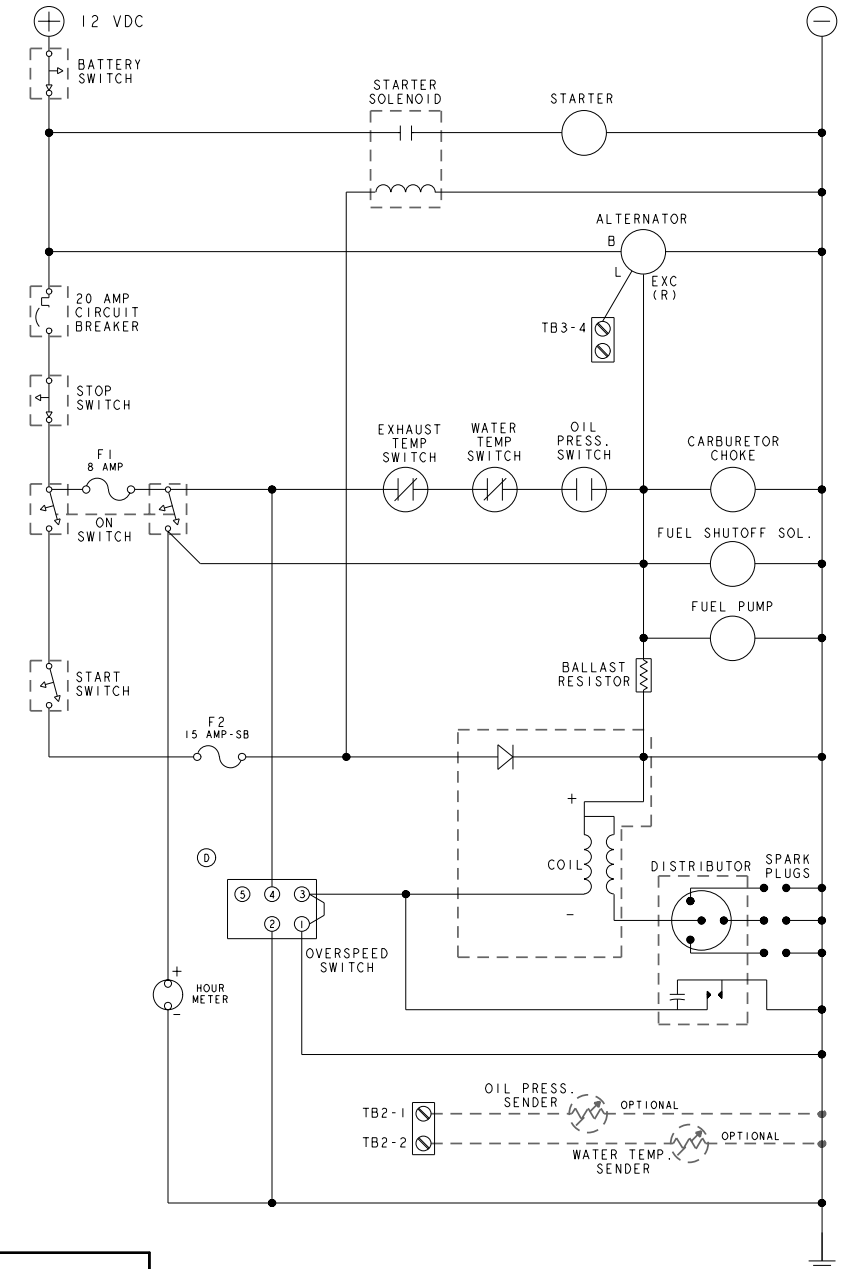
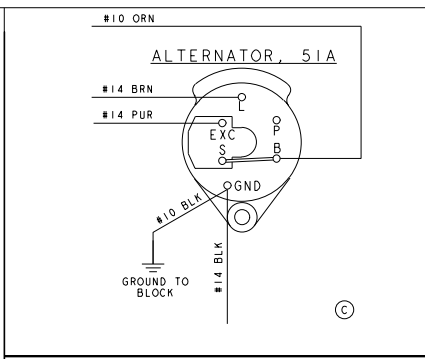
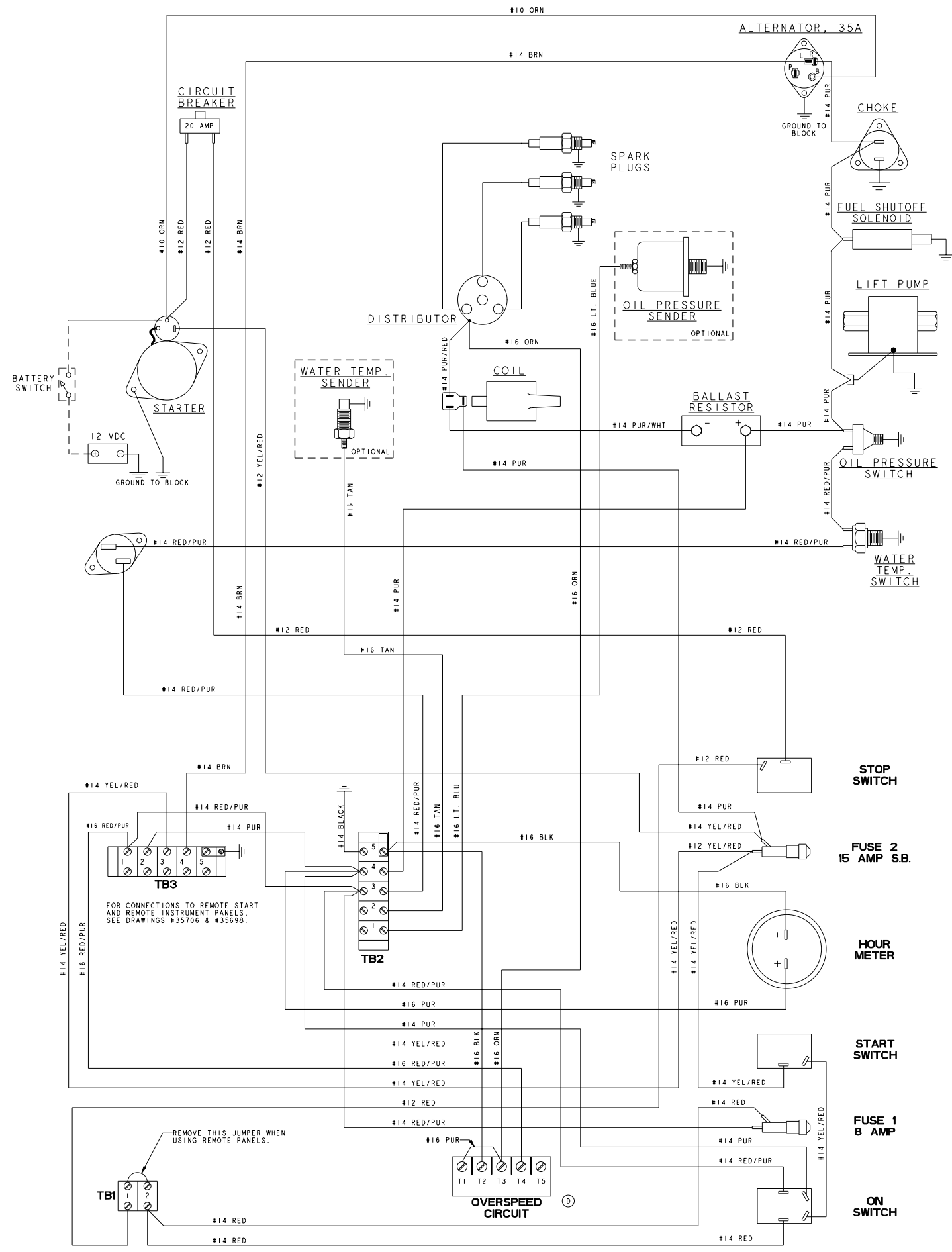


ECO NO.	DATE	REV	REVISION RECORD	AUTH.	DR. BY
-	1-5-87	A	REWIRED TERMINAL BLOCKS		JU
-	3-10-87	B	UPDATED		JU
2372	3-17-94	C	ADDED 51A ALTERNATOR DETAIL		WRM
2677	1-15-95	D	ADDED OVERSPEED SWITCH DETAIL; ADDED NEW OVERSPEED SWITCH; REDRAN ON C.A.D.		WRM
2730	4-19-95	E	CHNG'D #16 RED/PUR FROM OS-T4/TB3-2 TO OS-T4/TB3-1; UPDATED SCHEMATIC; ADD #14 BLK FROM TB3-5 TO GND		MKM



TOLERANCES		WESTERBEKE CORPORATION	
INCHES	MILLIMETERS	FILE	WIRING DIAGRAM
.10	.02	X	9.0 KW.BTG
.05	.01	X	GASOLINE GENSET
.01	.005	X	
ANGLES	30°	DATE	
FINISH	Ø	DRAWN BY	
		APPROVED BY	
		DATE	
		SCALE	
		SIZE	36397
		Sht. 1 of 1	E