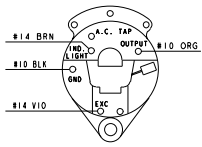
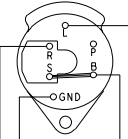


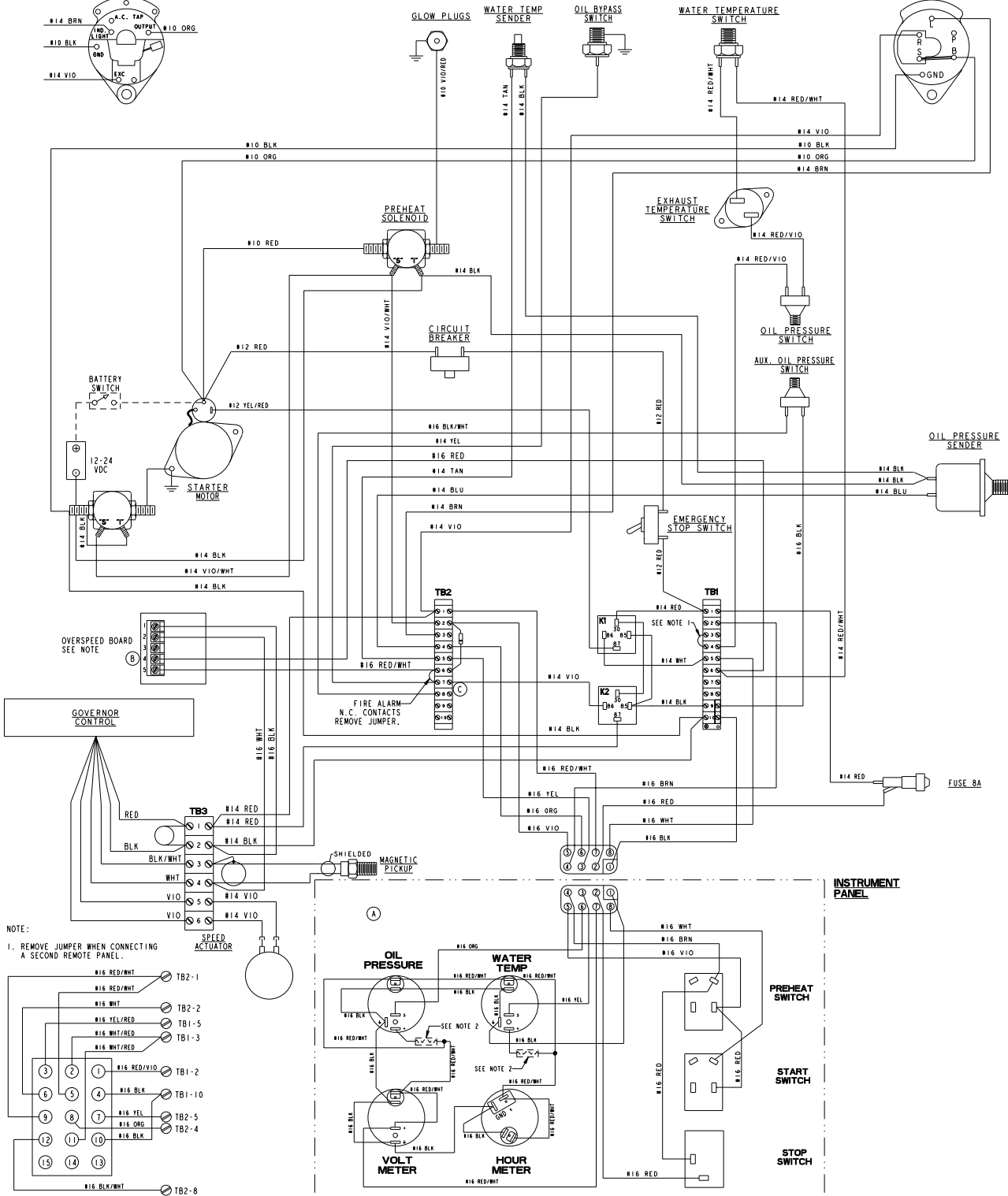
ALTERNATOR, 24V 42A



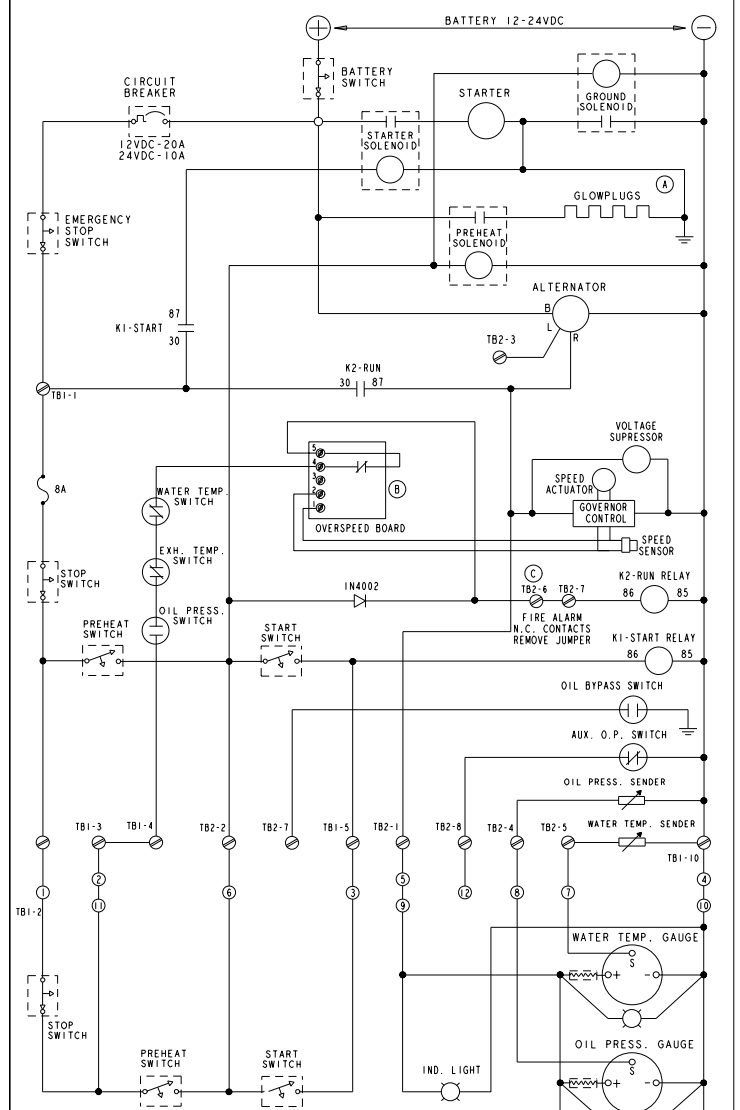
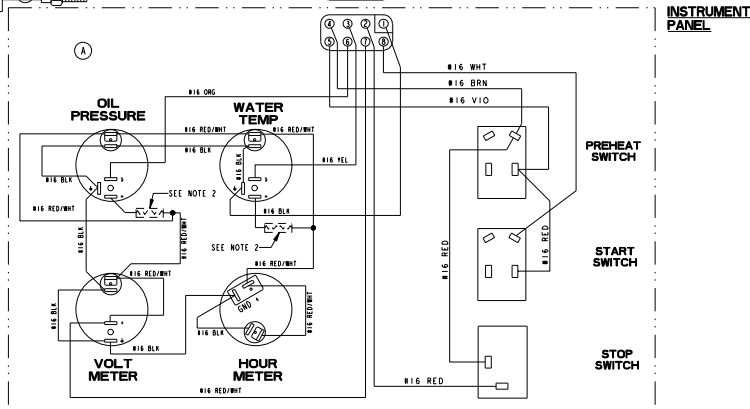
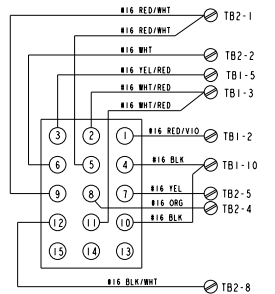
ALTERNATOR, 12V 51A



ECO NO.	DATE	REV.	REVISION RECORD	AUTH. DR. BY
5121	1/19	A	GAGES CHANGED, REWIRED INSTRUMENT PANEL	JRS
5767	6/22	B	CORRECTED SCHEMATIC	GA
	8/4		ADD OVERSPEED BOARD	GA
5861	1/72	C	ADDED JUMPER BETWEEN TB2-6A1; K2-86 WAS CONNECTED TO TB2-4.	GA



NOTE:
1. REMOVE JUMPER WHEN CONNECTING A SECOND REMOTE PANEL.



TYPICAL REMOTE START/STOP PANEL CONNECTIONS

NOTE:
1. REMOTE CONNECTOR PINS
2. FOR 24 VOLT SYSTEM, USE 150Ω RESISTOR AS SHOWN.
3. JUMPER SETTING:
J1 OPEN - 50HZ
J2 CLOSE - 60HZ
J3 OPEN - 5-15KW
J4 CLOSE - 20-95KW

TOLERANCES		WESTERBEKE CORPORATION	
INCHES	MILLIMETERS	FILE	REVISING DIAGRAM/SCHEMATIC
±.0005	±.0125	45.0-95.0 BED	UNGROUNDING
±.001	±.025	DATE	APPROVED BY
±.002	±.050	SCALE	SIZE
±.005	±.125	SCALE	DRWG NUMBER
±.010	±.250	SCALE	REV.
±.015	±.375	SCALE	REV.
±.020	±.500	SCALE	REV.
±.030	±.750	SCALE	REV.
±.040	±.1000	SCALE	REV.
±.050	±.1250	SCALE	REV.
±.060	±.1500	SCALE	REV.
±.070	±.1750	SCALE	REV.
±.080	±.2000	SCALE	REV.
±.090	±.2250	SCALE	REV.
±.100	±.2500	SCALE	REV.
±.125	±.3125	SCALE	REV.
±.150	±.3750	SCALE	REV.
±.175	±.4375	SCALE	REV.
±.200	±.5000	SCALE	REV.
±.250	±.6250	SCALE	REV.
±.300	±.7500	SCALE	REV.
±.375	±.9375	SCALE	REV.
±.450	±.11250	SCALE	REV.
±.562	±.14062	SCALE	REV.
±.700	±.17500	SCALE	REV.
±.875	±.21875	SCALE	REV.
±.1100	±.27500	SCALE	REV.
±.1375	±.34375	SCALE	REV.
±.1750	±.43750	SCALE	REV.
±.2250	±.56250	SCALE	REV.
±.2875	±.71875	SCALE	REV.
±.3625	±.90625	SCALE	REV.
±.4500	±.112500	SCALE	REV.
±.5625	±.140625	SCALE	REV.
±.7000	±.175000	SCALE	REV.
±.8750	±.218750	SCALE	REV.
±.11000	±.275000	SCALE	REV.
±.13750	±.343750	SCALE	REV.
±.17500	±.437500	SCALE	REV.
±.22500	±.562500	SCALE	REV.
±.28750	±.718750	SCALE	REV.
±.36250	±.906250	SCALE	REV.
±.45000	±.1125000	SCALE	REV.
±.56250	±.1406250	SCALE	REV.
±.70000	±.1750000	SCALE	REV.
±.87500	±.2187500	SCALE	REV.
±.110000	±.2750000	SCALE	REV.
±.137500	±.3437500	SCALE	REV.
±.175000	±.4375000	SCALE	REV.
±.225000	±.5625000	SCALE	REV.
±.287500	±.7187500	SCALE	REV.
±.362500	±.9062500	SCALE	REV.
±.450000	±.11250000	SCALE	REV.
±.562500	±.14062500	SCALE	REV.
±.700000	±.17500000	SCALE	REV.
±.875000	±.21875000	SCALE	REV.
±.1100000	±.27500000	SCALE	REV.
±.1375000	±.34375000	SCALE	REV.
±.1750000	±.43750000	SCALE	REV.
±.2250000	±.56250000	SCALE	REV.
±.2875000	±.71875000	SCALE	REV.
±.3625000	±.90625000	SCALE	REV.
±.4500000	±.112500000	SCALE	REV.
±.5625000	±.140625000	SCALE	REV.
±.7000000	±.175000000	SCALE	REV.
±.8750000	±.218750000	SCALE	REV.
±.11000000	±.275000000	SCALE	REV.
±.13750000	±.343750000	SCALE	REV.
±.17500000	±.437500000	SCALE	REV.
±.22500000	±.562500000	SCALE	REV.
±.28750000	±.718750000	SCALE	REV.
±.36250000	±.906250000	SCALE	REV.
±.45000000	±.1125000000	SCALE	REV.
±.56250000	±.1406250000	SCALE	REV.
±.70000000	±.1750000000	SCALE	REV.
±.87500000	±.2187500000	SCALE	REV.
±.110000000	±.2750000000	SCALE	REV.
±.137500000	±.3437500000	SCALE	REV.
±.175000000	±.4375000000	SCALE	REV.
±.225000000	±.5625000000	SCALE	REV.
±.287500000	±.7187500000	SCALE	REV.
±.362500000	±.9062500000	SCALE	REV.
±.450000000	±.11250000000	SCALE	REV.
±.562500000	±.14062500000	SCALE	REV.
±.700000000	±.17500000000	SCALE	REV.
±.875000000	±.21875000000	SCALE	REV.
±.1100000000	±.27500000000	SCALE	REV.
±.1375000000	±.34375000000	SCALE	REV.
±.1750000000	±.43750000000	SCALE	REV.
±.2250000000	±.56250000000	SCALE	REV.
±.2875000000	±.71875000000	SCALE	REV.
±.3625000000	±.90625000000	SCALE	REV.
±.4500000000	±.112500000000	SCALE	REV.
±.5625000000	±.140625000000	SCALE	REV.
±.7000000000	±.175000000000	SCALE	REV.
±.8750000000	±.218750000000	SCALE	REV.
±.11000000000	±.275000000000	SCALE	REV.
±.13750000000	±.343750000000	SCALE	REV.
±.17500000000	±.437500000000	SCALE	REV.
±.22500000000	±.562500000000	SCALE	REV.
±.28750000000	±.718750000000	SCALE	REV.
±.36250000000	±.906250000000	SCALE	REV.
±.45000000000	±.1125000000000	SCALE	REV.
±.56250000000	±.1406250000000	SCALE	REV.
±.70000000000	±.1750000000000	SCALE	REV.
±.87500000000	±.2187500000000	SCALE	REV.
±.110000000000	±.2750000000000	SCALE	REV.
±.137500000000	±.3437500000000	SCALE	REV.
±.175000000000	±.4375000000000	SCALE	REV.
±.225000000000	±.5625000000000	SCALE	REV.
±.287500000000	±.7187500000000	SCALE	REV.
±.362500000000	±.9062500000000	SCALE	REV.
±.450000000000	±.11250000000000	SCALE	REV.
±.562500000000	±.14062500000000	SCALE	REV.
±.700000000000	±.17500000000000	SCALE	REV.
±.875000000000	±.21875000000000	SCALE	REV.
±.1100000000000	±.27500000000000	SCALE	REV.
±.1375000000000	±.34375000000000	SCALE	REV.
±.1750000000000	±.43750000000000	SCALE	REV.
±.2250000000000	±.56250000000000	SCALE	REV.
±.2875000000000	±.71875000000000	SCALE	REV.
±.3625000000000	±.90625000000000	SCALE	REV.
±.4500000000000	±.112500000000000	SCALE	REV.
±.5625000000000	±.140625000000000	SCALE	REV.
±.7000000000000	±.175000000000000	SCALE	REV.
±.8750000000000	±.218750000000000	SCALE	REV.
±.11000000000000	±.275000000000000	SCALE	REV.
±.13750000000000	±.343750000000000	SCALE	REV.
±.17500000000000	±.437500000000000	SCALE	REV.
±.22500000000000	±.562500000000000	SCALE	REV.
±.28750000000000	±.718750000000000	SCALE	REV.
±.36250000000000	±.906250000000000	SCALE	REV.
±.45000000000000	±.1125000000000000	SCALE	REV.
±.56250000000000	±.1406250000000000	SCALE	REV.
±.70000000000000	±.1750000000000000	SCALE	REV.
±.87500000000000	±.2187500000000000	SCALE	REV.
±.110000000000000	±.2750000000000000	SCALE	REV.
±.137500000000000	±.3437500000000000	SCALE	REV.
±.175000000000000	±.4375000000000000	SCALE	REV.
±.225000000000000	±.5625000000000000	SCALE	REV.
±.287500000000000	±.7187500000000000	SCALE	REV.
±.362500000000000	±.9062500000000000	SCALE	REV.
±.450000000000000	±.11250000000000000	SCALE	REV.
±.562500000000000	±.14062500000000000	SCALE	REV.
±.700000000000000	±.17500000000000000	SCALE	REV.
±.875000000000000	±.21875000000000000	SCALE	REV.
±.1100000000000000	±.27500000000000000	SCALE	REV.
±.1375000000000000	±.34375000000000000	SCALE	REV.
±.1750000000000000	±.43750000000000000	SCALE	REV.
±.2250000000000000	±.56250000000000000	SCALE	REV.
±.2875000000000000	±.71875000000000000	SCALE	REV.
±.3625000000000000	±.90625000000000000	SCALE	REV.
±.4500000000000000	±.112500000000000000	SCALE	REV.
±.5625000000000000	±.140625000000000000	SCALE	REV.
±.7000000000000000	±.175000000000000000	SCALE	REV.
±.8750000000000000	±.218750000000000000	SCALE	REV.
±.11000000000000000	±.275000000000000000	SCALE	REV.
±.13750000000000000	±.343750000000000000	SCALE	REV.
±.17500000000000000	±.437500000000000000	SCALE	REV.
±.22500000000000000	±.562500000000000000	SCALE	REV.
±.28750000000000000	±.718750000000000000	SCALE	REV.
±.36250000000000000	±.906250000000000000	SCALE	REV.
±.45000000000000000	±.1125000000000000000	SCALE	REV.
±.56250000000000000	±.1406250000000000000	SCALE	REV.
±.70000000000000000	±.1750000000000000000	SCALE	REV.
±.87500000000000000	±.2187500000000000000	SCALE	REV.
±.110000000000000000	±.2750000000000000000	SCALE	REV.
±.137500000000000000	±.3437500000000000000	SCALE	REV.
±.175000000000000000	±.4375000000000000000	SCALE	REV.
±.225000000000000000	±.5625000000000000000	SCALE	REV.
±.287500000000000000	±.7187500000000000000	SCALE	REV.
±.362500000000000000	±.9062500000000000000	SCALE	REV.
±.450000000000000000	±.11250000000000000000	SCALE	REV.
±.562500000000000000	±.14062500000000000000	SCALE	REV.
±.700000000000000000	±.17500000000000000000	SCALE	REV.
±.875000000000000000	±.21875000000000000000	SCALE	REV.
±.1100000000000000000	±.27500000000000000000	SCALE	REV.
±.1375000000000000000	±.34375000000000000000	SCALE	REV.
±.1750000000000000000	±.43750000000000000000	SCALE	REV.
±.2250000000000000000	±.56250000000000000000	SCALE	REV.
±.2875000000000000000	±.71875000000000000000	SCALE	REV.
±.3625000000000000000	±.90625000000000000000	SCALE	REV.
±.4500000000000000000	±.112500000000000000000	SCALE	REV.
±.5625000000000000000	±.140625000000000000000	SCALE	REV.
±.7000000000000000000	±.175000000000000000000	SCALE	REV.
±.8750000000000000000	±.218750000000000000000	SCALE	REV.
±.11000000000000000000	±.275000000000000000000	SCALE	REV.
±.13750000000000000000	±.34375000		