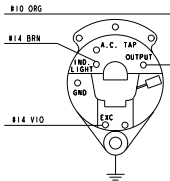
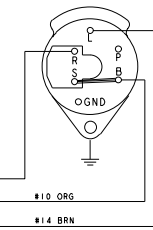


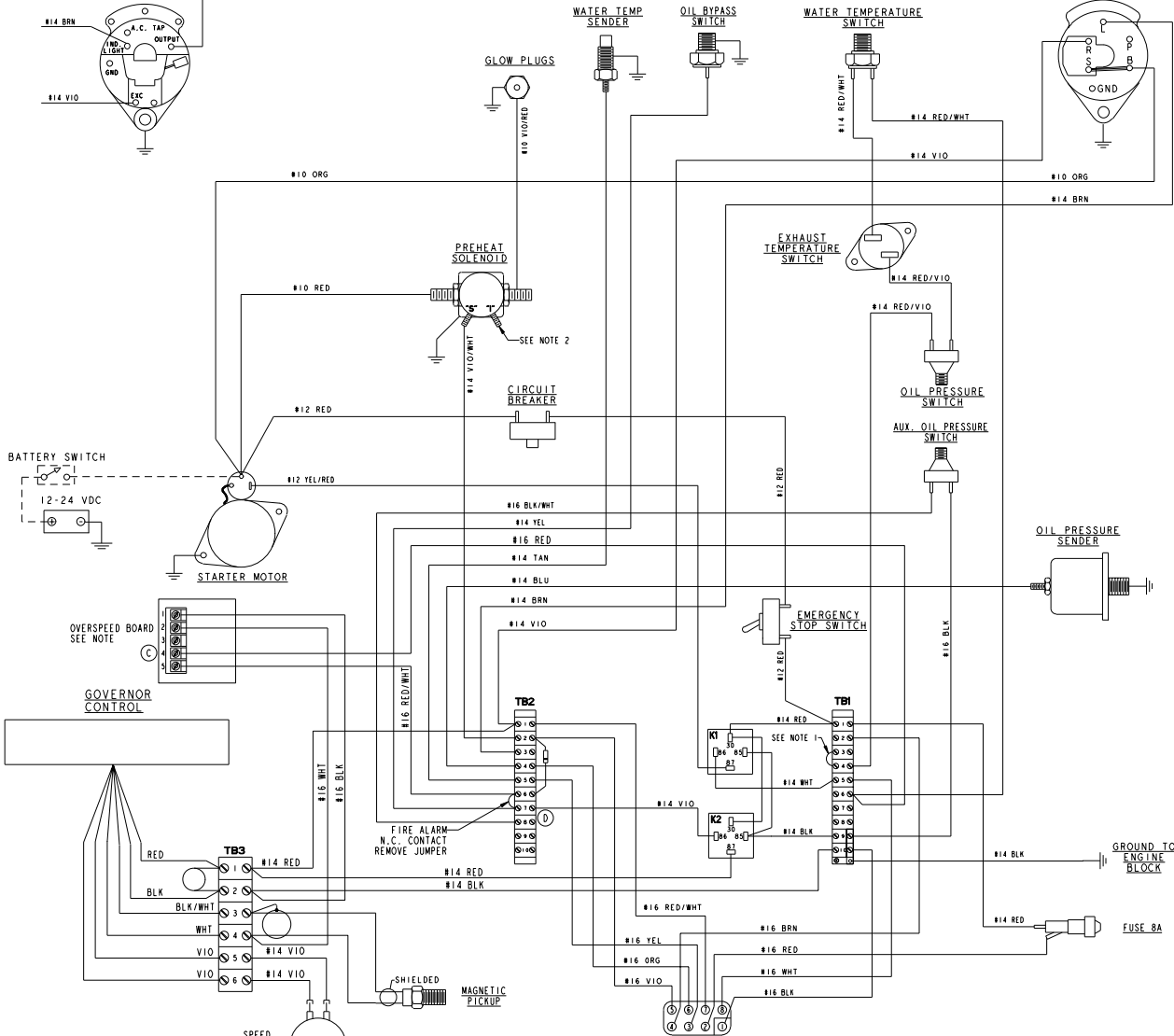
ALTERNATOR, 24VDC 42A



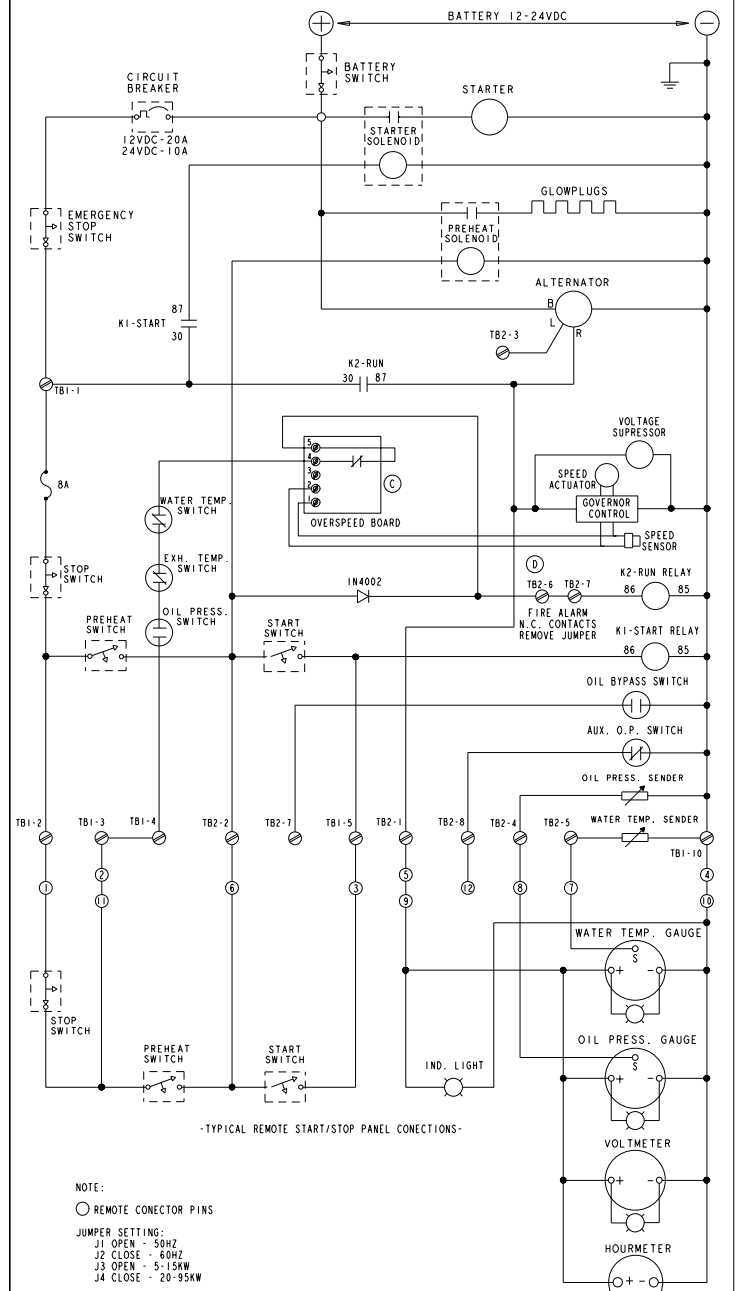
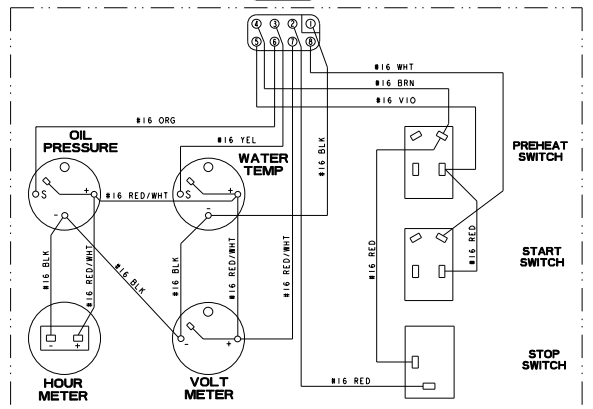
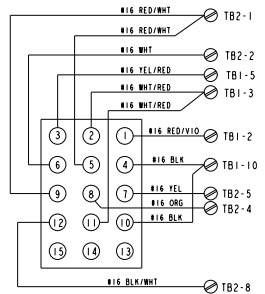
ALTERNATOR, 12V 51A



ECO NO.	DATE	REV.	REVISION RECORD	AUTH.	DR. BY
4670	8/4	2000	A ADD VOLTAGE SUPPRESSOR BETWEEN TB3-1, TB3-2	JCA	
4823	2/23	2001	B NORMAL CONDITION OF SWITCHES CORRECTED IN WIRING SCHEMATIC.	JCA	
5767	8/22	2004	C ADD OVERSPEED BOARD		GA
5861	11/3	2004	D ADDED JUMPER BETWEEN TB2-6A3; K2-8E WAS CONNECTED TO TB2-6.		GA



NOTE:
 1. REMOVE JUMPER WHEN CONNECTING A SECOND REMOTE PANEL.
 2. GROUND "1" TERMINAL OF PREHEAT SOLENOID ON 24V SYSTEM ONLY.



NOTE:
 ○ REMOTE CONNECTOR PINS
 JUMPER SETTING:
 J1 OPEN - 50HZ
 J2 CLOSE - 60HZ
 J3 OPEN - 5-15KW
 J4 CLOSE - 20-95KW

TOLERANCES		WESTERBEKE CORPORATION	
UNLESS OTHERWISE NOTED		AVON, MA. 02322	
INCHES	FRACTIONS	MM	DECIMALS
ASST.	BY	DATE	BY
DESIGNED BY	APPROVED BY	DATE	BY
DIMENSIONS	APPROVED BY	DATE	BY
SCALE	SCALE	SIZE	DRAWING NUMBER
INCHES (APPLICABLE)		SCALE: 1" = 1" (1 OF 1)	
E		44780	