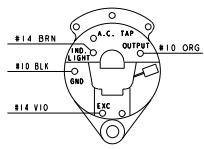
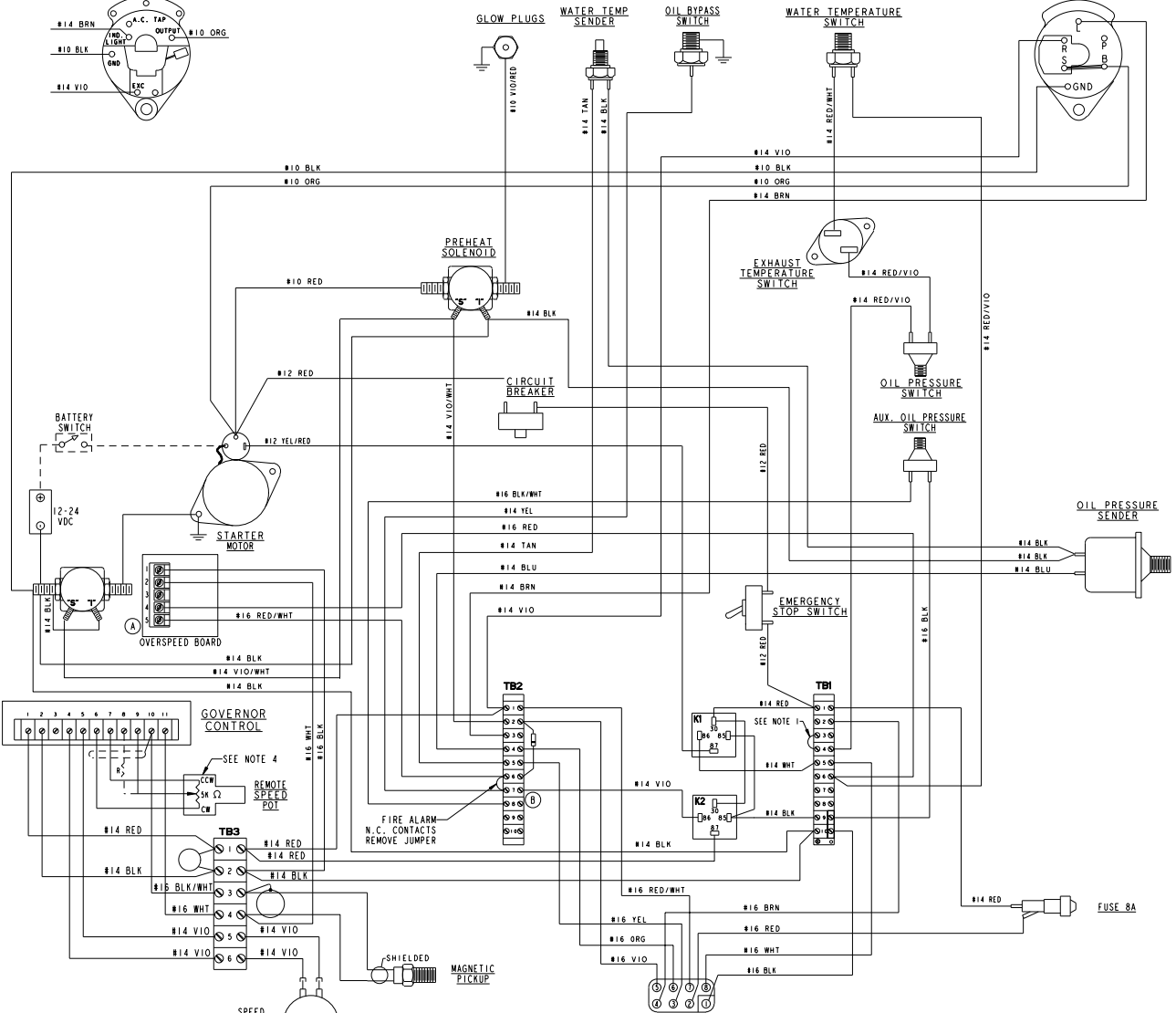
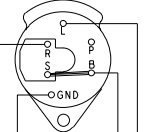


ECO NO.	DATE	REV.	REVISION	AUTH.	DR. BY
5683	2-25-64	A	ADD OVERSPEED BOARD		GA
5661	11-2-64	B	ADD JUMPER BETWEEN TB2-6&7; K2-86 WAS CONNECTED TO TB2-6.		GA

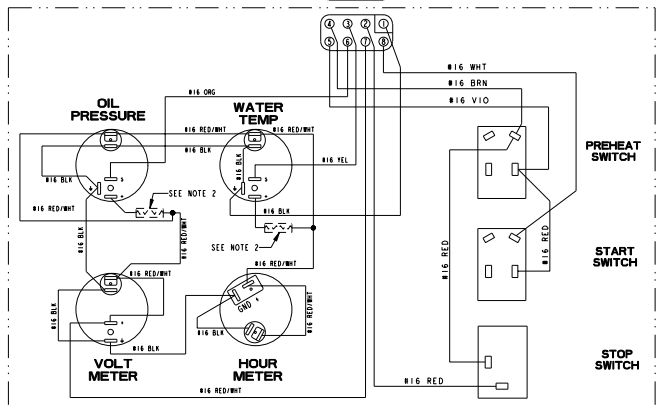
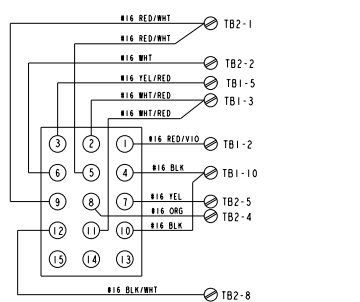
ALTERNATOR, 24V 42A



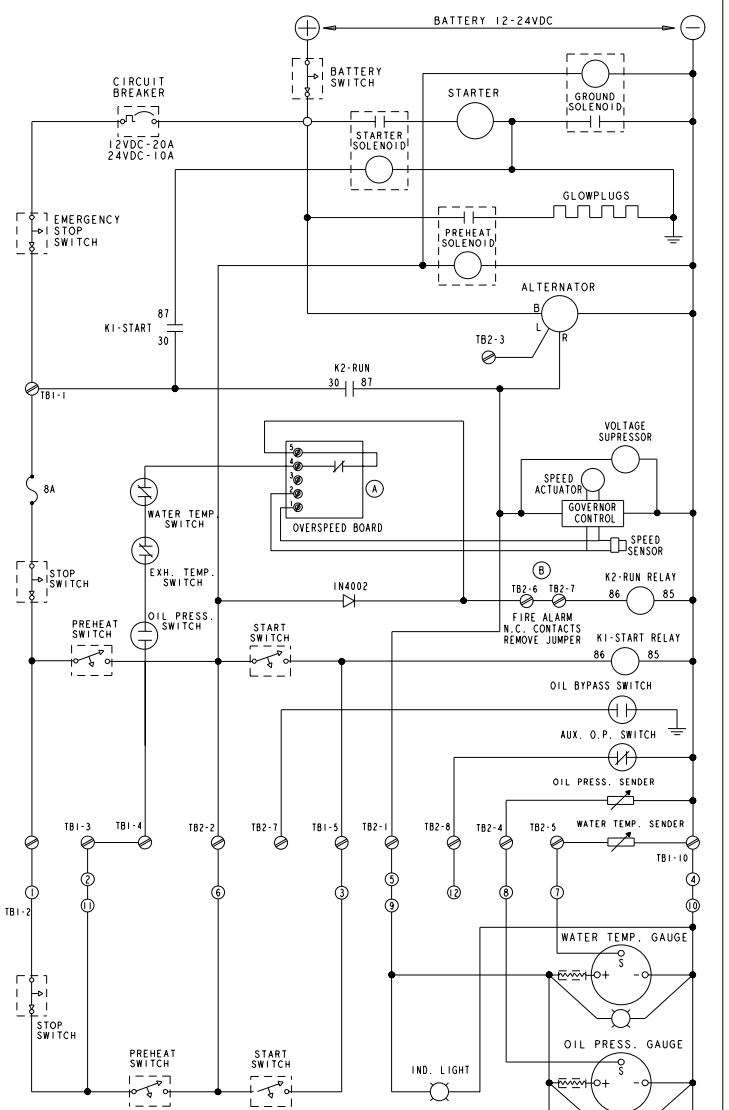
ALTERNATOR, 12V 51A



NOTE:
1. REMOVE JUMPER WHEN CONNECTING A SECOND REMOTE PANEL.



INSTRUMENT PANEL



-TYPICAL REMOTE START/STOP PANEL CONNECTIONS-

NOTE:
1. REMOTE CONNECTOR PINS
2. FOR 24 VOLT SYSTEM, USE 150Ω RESISTOR AS SHOWN.

TOLERANCES		WESTERBEKE CORPORATION	
UNLESS OTHERWISE SPECIFIED		AVON, MA. 02322	
INCHES	FRACTIONS	MM	DECIMALS
AS SHOWN	AS SHOWN	AS SHOWN	AS SHOWN
DIMENSIONS		DATE	
APPROVED BY		DATE	
SCALE		SIZE	
DRAWING NUMBER		REV.	
E 48910		B	