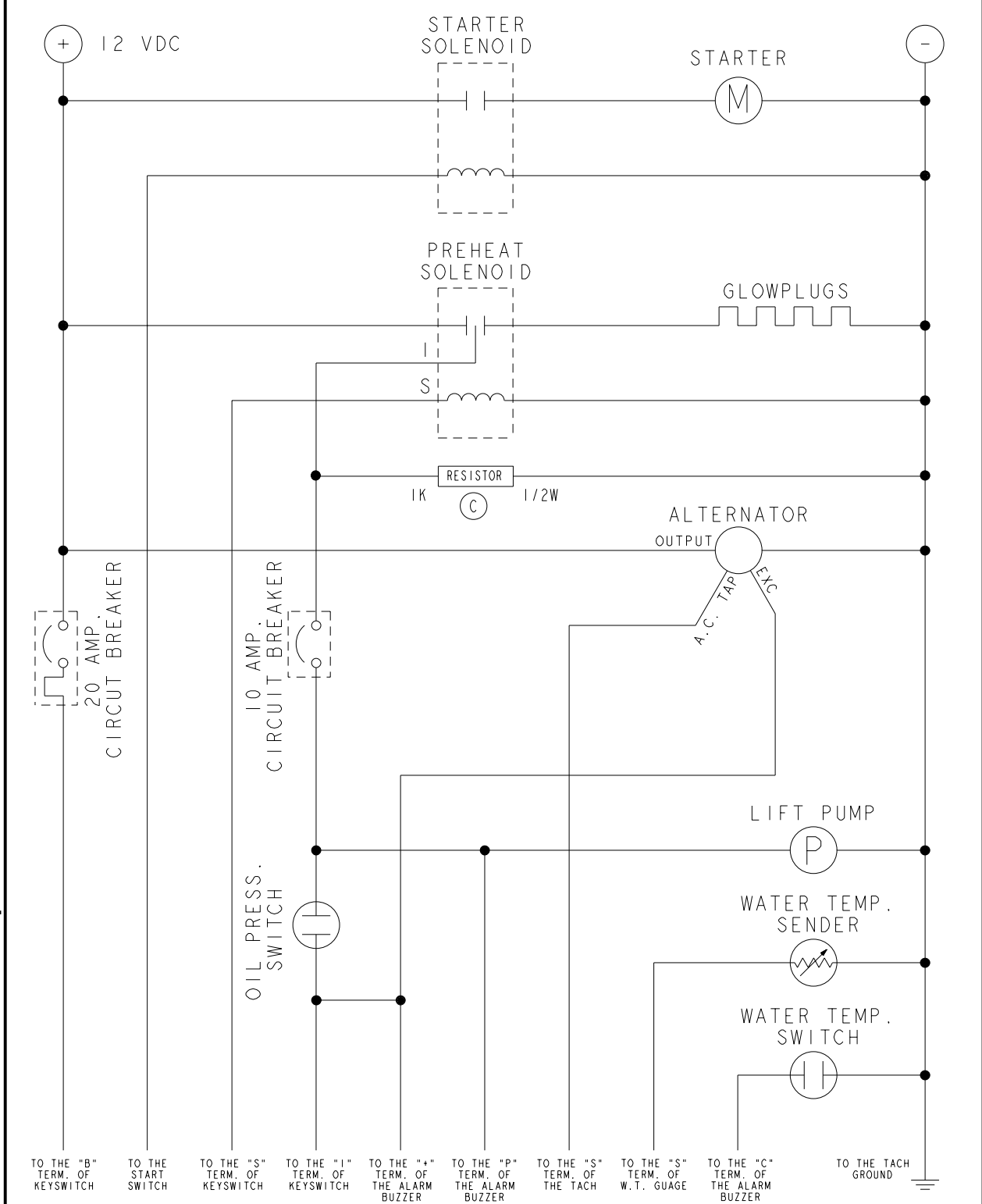
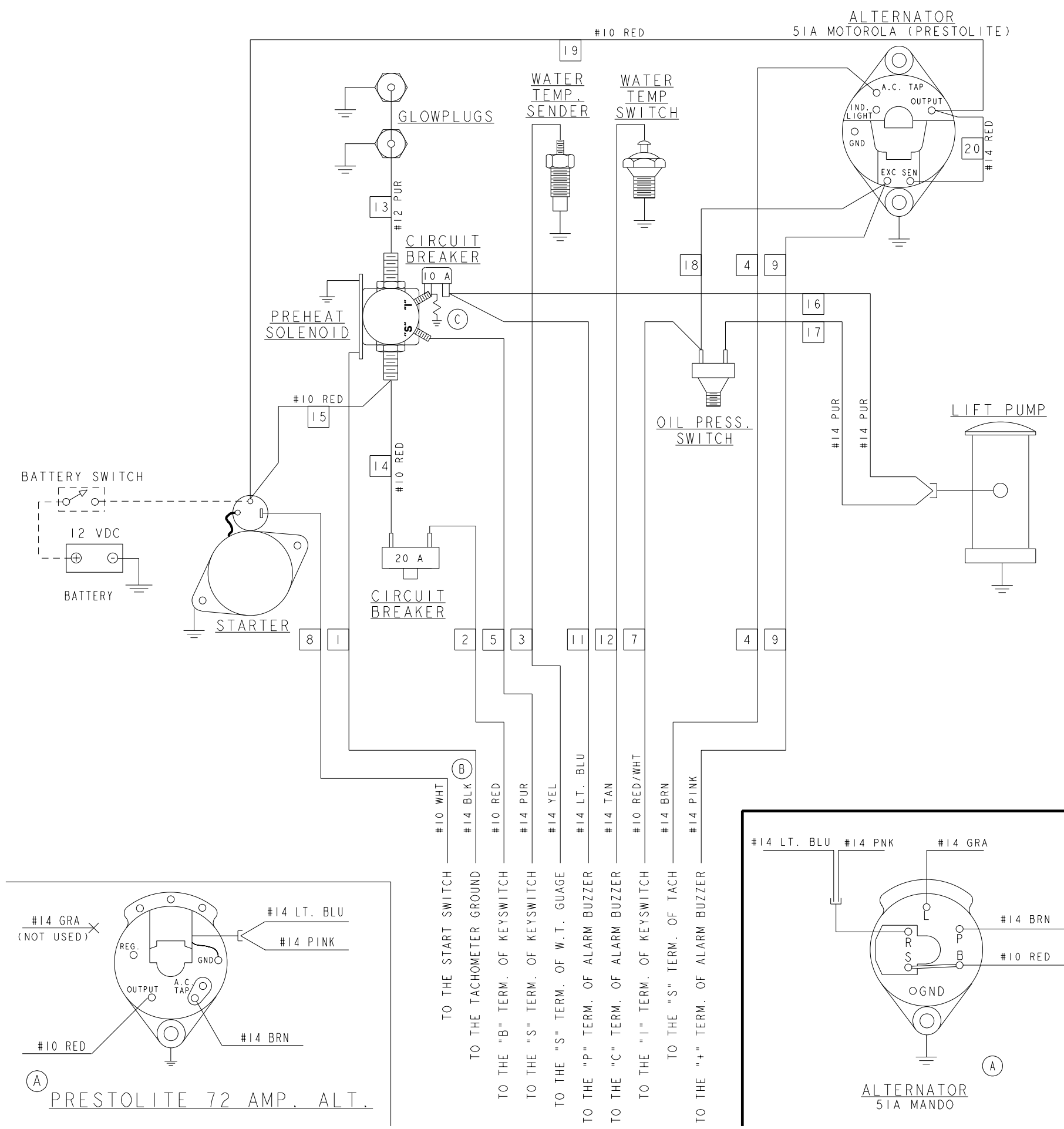


ECO NO.	DATE	REV.	REVISION RECORD	AUTH.	DR. BY
3129	11/20/96	A	ADD MANDO 51 AMP. ALTERNATOR		BRN
3727	5-14/98	B	CHANGED WIRE #1 FROM GRN TO BLK		MB
4200	9/1/99	C	ADDED RESISTOR		JRS



TOLERANCES (UNLESS OTHERWISE NOTED)		WESTERBEKE CORPORATION TAUNTON, MA. 02780	
INCHES	MILLIMETERS	TITLE	
.XX : .125	X. :	DIAGRAM, ENGINE WIRING - CATALINA MARINE ENGINES	
.XXX : .063	.X. :	DRAWN BY	DATE
CAST ANGLES : 125	.XX :	WRM	5 FEB 93
FINISH		APPROVED BY	MATERIAL:
DIMENSIONS		SCALE	SIZE
INCHES		NONE	D
MILLIMETERS		SHT. 1 OF 1	DRAWING NUMBER
(WHEN APPLICABLE)			200360
			REV. C