

## The perfect solution for all your power needs.

### Cruise carefree with Westerbeke power at your fingertips.

The 15 BTDA Westerbeke, a flawlessly smooth, quiet, compact diesel generator. This state-of-the-art generator easily provides all your shipboard power needs, including electric ranges, microwave ovens, air conditioners, refrigerators, TVs, hair dryers, vacuum cleaners and other small appliances and power tools.

Powerful, lightweight, economical to operate, and above all, reliable. Specially engineered to operate in a hostile marine environment, and built by Westerbeke using experience gained in supplying generators to the United States Navy and Coast Guard as well as commercial vessels and pleasure craft. Along with other features, these generators are designed to run at 1800 RPM for greater longevity. They are equipped with simple control systems rather than troublesome relays or solid state components and are fresh-water-cooled to operate at optimum temperature levels.

Easy to install, easy to service (one side service), and easily field convertible to either 50 or 60 Hertz AC output.

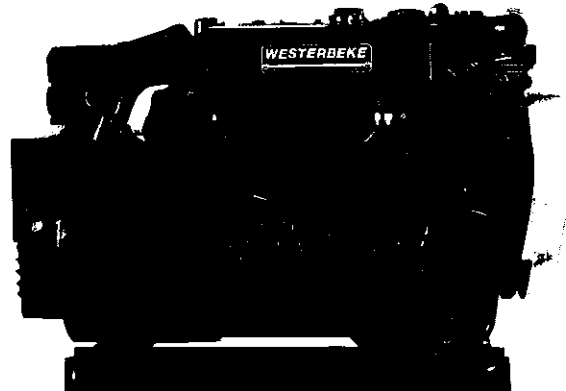
Westerbeke products are supported by a worldwide network of master distributors and dealers providing parts, service and technical support.

It is to your advantage to select a generator made by Westerbeke, world leaders, the people who pioneered the new truly "quiet breed" of generators in the 1980's. Over 50 years of marine experience go into these products.

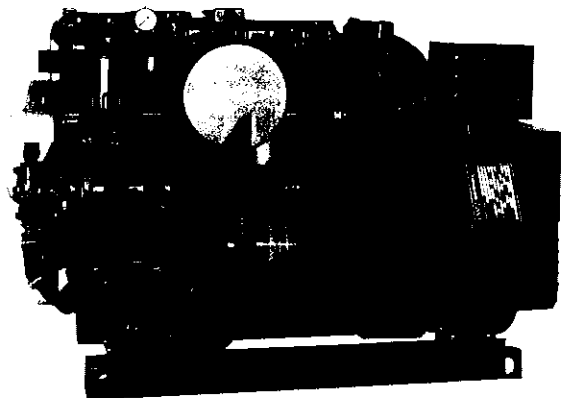
And you can be sure that Westerbeke will continue to bring innovation to its products in the future.

### Many features are standard equipment

- Fresh water cooling
- Instrument panel
- Vibration mounts — fail safe rubber type
- 45° water injected elbow
- Coolant recovery tank
- 51 amp alternator
- Safety stop switch
- Drip tray
- Belt guard
- Gear-driven sea water pump
- Lube oil drain hose
- Safety shut-downs — Hi-coolant temp., low oil pres., Hi-exh. temp.
- Oil fill — top
- Flexible fuel supply and return connection
- Operator's manual and parts list



15 BTDA  
Diesel Generator



15 BTDA  
Diesel Generator

### Dimensions

Length	39.63" (1006.6 mm)	
Width	21.19" (538.2 mm)	72.63
Height	25.93" (658.6 mm)	
Weight	765 lbs. (347.1 kilos)	

See other side for more dimension information

### Generator Design

**DESIGN:** Brushless, four pole, revolving field, power takeoff.  
**VOLTAGE REGULATION:** Standard  $\pm 5\%$  no load to full load.  
**FREQUENCY REGULATION:** 0.3 Hz (0.005%) no load to full load.  
**INSULATION:** Class "F", as defined by NEMA MG1-1.65.

**TEMPERATURE RISE:** Within NEMA MG1-22.40 definition when operating at full load.

**COOLING:** Cast centrifugal blower, direct connected.

**ELECTROMAGNETIC INTERFERENCE LEVEL:** Exceeds requirements for most marine radio-telephones and standard TVs.

15.0 BTDA-614*	120/240	125/62.5	60	1	4	1.0	15	1800	Remote
12.0 BTDA-514*	220	54.5	50	1	4	1.0	12	1500	Remote

Three phase units, 50 & 60 Hertz, are available in these ratings. Contact your nearest authorized Westerbeke Distributor for information.

\*Adjustable for 50 or 60 hertz

### Specifications

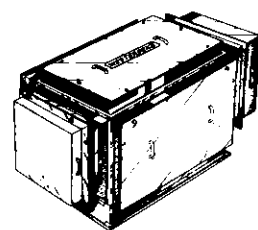
Type	4 Cycle
Bore and stroke	3.50" x 3.51" (88.9mm x 89.1 mm)
Rated rpm	60 Hz - 1800 rpm 50 Hz - 1500 rpm
Maximum angle of operation	Not to exceed 25° in all directions
Sea water conn.	1" OD (25.4mm)
Combustion system	Swirl type
Lubrication system	Forced lubrication by gear pump
Starting aid	12 volt sheathed type glow plug
Fuel injection pump	Bosch type, solenoid shutoff
Injectors	Throttle type
Lube oil filter	Full flow, spin-on element
Fuel transfer pump	12 volt electric type
Starting motor	12 volt, solenoid, actuated shift
Cold cranking amps	280 amps

### Construction — Engine Components

Cylinder block	Cast iron
Valves	Overhead valves, rotating type
Intake system	Tuned intake silencer for maximum noise reduction
Exhaust manifold	Cast aluminum, fresh water-cooled

### Optional Equipment

- 15' panel ext. harness and cover plate
- Ship-shore switch
- Fuel/water separator
- "A" on-board spare parts kit; "B" extended cruising spare parts kit
- Technical Manual

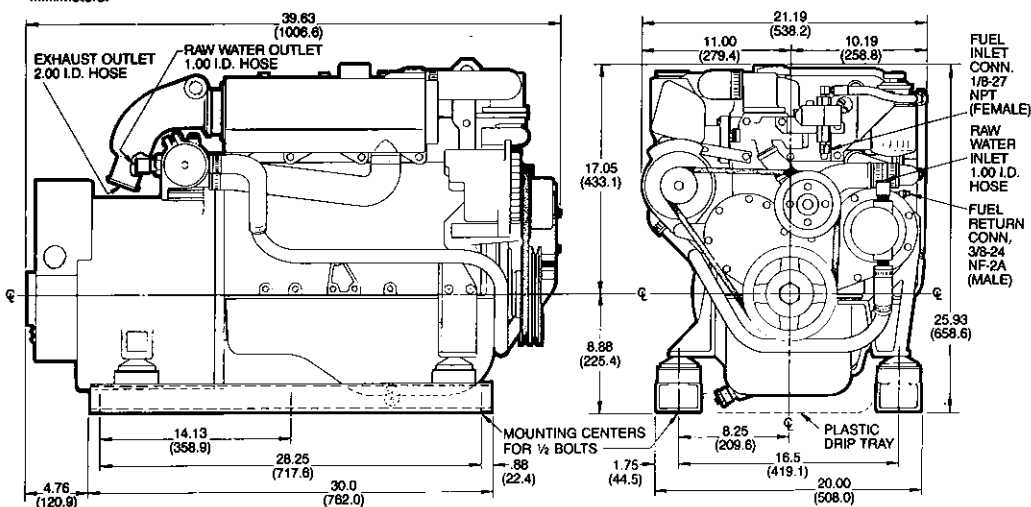


Optional Sound Guard enclosure provides optimum silencing for the generator. Ruggedly constructed with all panels removable for easy servicing and maintenance.

Length — 45.25" (1149.4 mm)  
 Width — 27.0" (685.8 mm)  
 Height — 28.75" (730.3 mm)  
 Weight — 124.0 lbs (56.3 kilos)

### Dimensions

Inches (Millimeters)



Authorized Dealer