

The perfect solution for all your power needs.

Cruise carefree with Westerbeke power at your fingertips.

The 25.0BED Westerbeke, a flawlessly smooth, quiet, compact diesel generator. This state-of-the-art generator easily provides all your shipboard power needs, including electric ranges, microwave ovens, air conditioners, refrigerators, TVs, hair dryers, vacuum cleaners and other small appliances and power tools.

Powerful, lightweight, economical to operate, and above all, reliable. Specially engineered to operate in a hostile marine environment, and built by Westerbeke using experience gained in supplying generators to the United States Navy and Coast Guard as well as commercial vessels and pleasure craft. Along with other features, these generators are designed to run at 1800 RPM for greater longevity. They are equipped with simple control systems rather than troublesome relays or solid state components and are fresh-water-cooled to operate at optimum temperature levels.

Easy to install, easy to service (one side service), and easily field convertible to either 50 or 60 Hertz AC output.

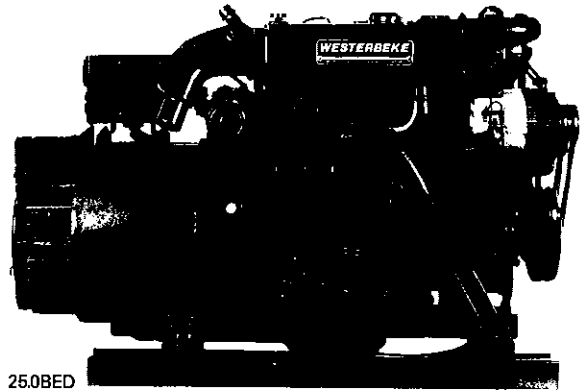
Westerbeke products are supported by a worldwide network of master distributors and dealers providing parts, service and technical support.

It is to your advantage to select a generator made by Westerbeke, world leaders, the people who pioneered the new truly "quiet breed" of generators in the 1980's. Over 50 years of marine experience go into these products.

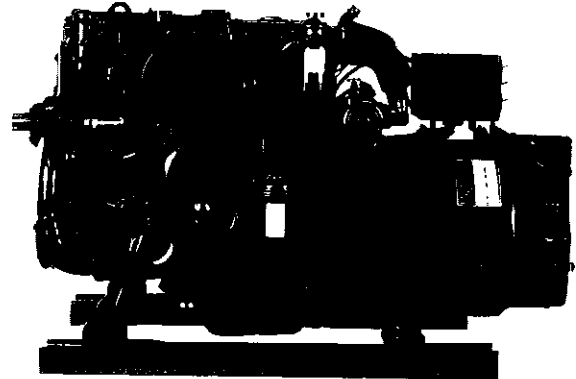
And you can be sure that Westerbeke will continue to bring innovation to its products in the future.

Many features are standard equipment

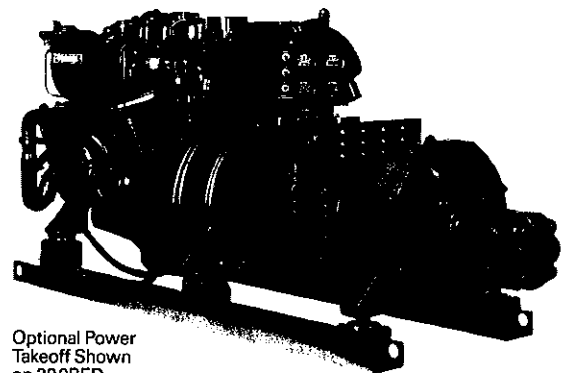
- Fresh water cooling
- Instrument panel
- Vibration mounts — fail safe rubber type
- 70° water injected elbow
- Coolant recovery tank
- 50 amp alternator
- Safety stop switch
- Drip tray
- Belt guard
- Belt driven sea water pump
- Lube oil drain hose
- Safety shut-downs — Hi-coolant temp., low oil pres., Hi-exh. temp.
- Oil fill — top
- Self-bleeding fuel system
- Operator's manual and parts list
- Electronic governor



25.0BED Diesel Generator



25.0BED Diesel Generator



Optional Power Takeoff Shown on 20.0BED

Dimensions

Length	44.9" (1149.4 mm)
Width	23.3" (591.8 mm)
Height	28.6" (726.5 mm)
Weight	971 lbs. (440.4 kilos)

See other side for more dimension information

Generator Design

DESIGN: Brushless, four pole, revolving field, power takeoff.

VOLTAGE REGULATION: Standard $\pm 2\%$ no load to full load.

FREQUENCY REGULATION: 0.30 Hz (0.005%) no load to full load.

INSULATION: Class "H", as defined by NEMA MG1-1.65.

TEMPERATURE RISE: Within NEMA MG1-22.40 definition when operating at full load.

COOLING: Cast centrifugal blower, direct connected.

ELECTROMAGNETIC INTERFERENCE LEVEL: Exceeds requirements for most marine radio-telephones and standard TVs.

		Electrical Characteristics				Ratings		Engine	
		Amps	Hertz	Phase	Wires	Power Factor	KV	RPM	Start
25.0BED-614*	120/240	208/104	60	1	4	1.0	25	1800	Remote
20.0BED-514*	230	87	50	1	4	1.0	20	1500	Remote

Three phase units, 50 & 60 Hertz, are available in these ratings. Contact your nearest authorized Westerbeke Distributor for information.

*Adjustable for 50 or 60 hertz

Specifications

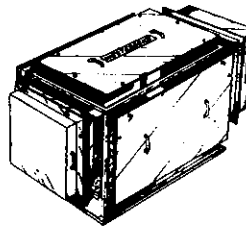
Type	4 Cylinder vertical in-line 4 Cycle
Bore and stroke	3.74" x 4.13" (95 mm x 105 mm)
Rated rpm	60 Hz - 1800 rpm 50 Hz - 1500 rpm
Maximum angle of operation	38 HP Not to exceed 25° in all directions
Sea water conn.	1" OD (25.4mm)
Combustion system	Swirl type
Lubrication system	Forced lubrication by gear pump
Starting aid	12 volt sheathed type glow plug
Fuel injection pump	Bosch type, solenoid shutoff
Injectors	Throttle type
Lube oil filter	Full flow, spin-on element
Fuel transfer pump	12 volt electric type
Starting motor	12 volt, solenoid, actuated shift
Cold cranking amps	50 amps 250-300 amps 12 volts DC, negative ground

Construction — Engine Components

Cylinder head	Cast Iron
Cylinder block	Cast iron
Crankshaft	Forged crankshaft, five main bearings
Valves	Overhead valves, rotating type
Fuel system	Swirl injection
Intake system	Tuned intake silencer for maximum noise reduction
Cooling system	Fresh water-cooled with heat exchanger
Exhaust manifold	Cast aluminum, fresh water-cooled

Optional Equipment

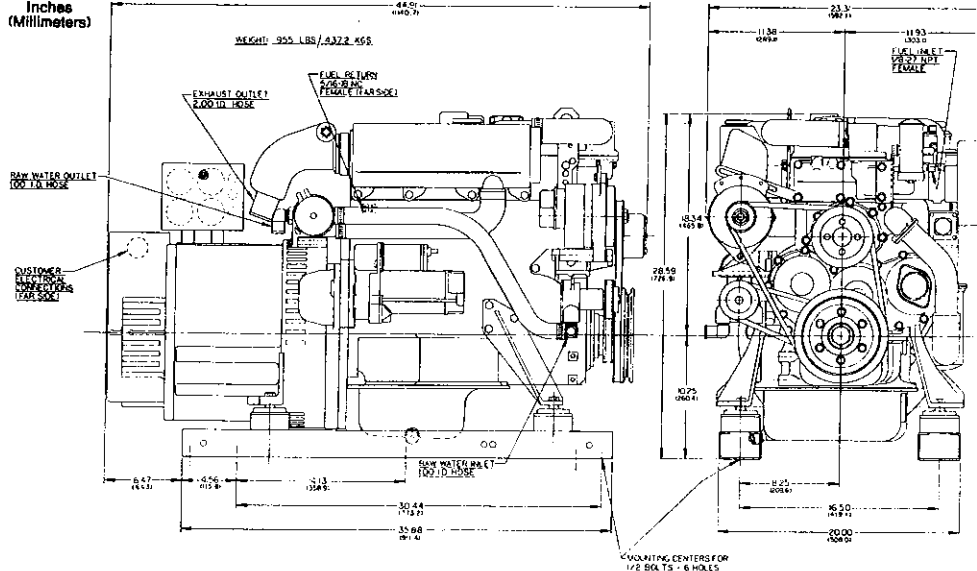
- Remote start/stop panel
- 15' panel ext. harness and cover plate
- Dual battery chargers
- Ship-shore switch
- Power takeoff adapter with electric clutch
- Fuel/water separator
- Hydro-hush muffler and fittings
- "A" on-board spare parts kit; "B" extended cruising spare parts kit
- Anti-siphon valve for overboard cooling discharge water
- Technical Manual
- Sound Guard sound enclosure



Optional Sound Guard enclosure provides optimum silencing for the generator. Ruggedly constructed with all panels removable for easy servicing and maintenance.

Length — 52.1" (1323.3 mm)
Width — 30.0" (762 mm)
Height — 31.4" (798 mm)
Weight — 180 lbs (81.6 kilos)

Dimensions



Authorized Dealer

SPECIFICATIONS MAY CHANGE WITHOUT NOTICE.

WESTERBEKE CORP., AVON INDUSTRIAL PARK, AVON, MA 02322 U.S.A. • TELEPHONE: (508) 588-7700 • FAX: (508) 559-9323 • CABLE: WESTCORP