



The All New Westerbeke EFI Series

Continuous Quality Power

Introducing the Westerbeke EFI Series of gasoline generators. Combining innovative technology and simplicity of design, Westerbeke has managed, once again, to set the standard in marine power generation.

The EFI Series is powered by an industrial three-cylinder gas engine. Like most Westerbeke gensets, the EFI Series incorporates true one-side servicing for complete access to all serviceable components.

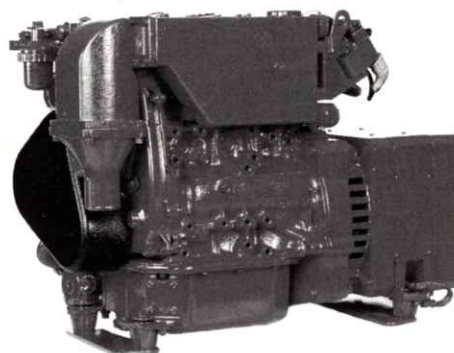
All EFI generators feature an electronic fuel injection system. Designed by Westerbeke, this system is consistently controlled and monitored by an internal microcontroller which keeps careful track of all vital engine parameters such as engine load, engine speed and injection timing. This results in the ability to go from no load to full load instantly with hardly a ripple in frequency or voltage.

The compact EFI Series is perfect for smaller boats with limited space and heavy electrical loads. They have been designed with the boater in mind. All Westerbeke generators are backed by a five year limited warranty and by a worldwide network of master distributors and dealers.

The EFI Series from Westerbeke, continuous quality power.

Many features are standard equipment

- Fresh water cooling
- Vibration mounts
- 90° water injected elbow
- Coolant recovery tank
- Battery charging
- Safety stop switch
- Drip tray
- Belt guard
- Belt-driven sea water pump
- Lube oil drain hose
- Safety shut-downs — hi-coolant temperature, low oil pressure, hi-exhaust temperature
- Operator's manual and parts list
- "CE" Mark
- A.C. Circuit Breaker
- CARB certified
- EPA certified



4.5 BCGTE
Gasoline Generator



4.5 BCGTE
Gasoline Generator

Unit Dimensions

Length 26.5" (673.1 mm)

Width 13.8" (350.5 mm)

Height 19.5" (495.3 mm)

Dry Weight 273 lbs. (123.8 kg)

See other side for more dimension information
Photographs may show optional equipment

Generator Design

DESIGN: Brushless, two pole, revolving field.
VOLTAGE REGULATION: +/-5% no load to full load.
FREQUENCY REGULATION: .5 Hz (0.0083%) no load to full load.
INSULATION: Class "H", as defined by NEMA MG1-1.65.

TEMPERATURE RISE: Within NEMA MG1-22.40 definition when operating at full load.
COOLING: Cast centrifugal blower, direct connected.
ELECTROMAGNETIC INTERFERENCE LEVEL: Meets EMC directive 89/336/EEC, amended by 92/31/EEC and 93/68/EEC.

Model	Electrical Characteristics				Wire	Ratings		Engine	
	Volts	Amps	Hertz	Phase		Power Factor	KW	RPM	Start
4.5 BCGTE*	120**	37.5	60	1	4	1.0	4.5	3600	Remote
3.75 BCGTE*	230	16.3	50	1	4	1.0	3.75	3000	Remote

* Adjustable for 50 or 60 hertz.

**Consult factory for 120/240 volt application

Specifications

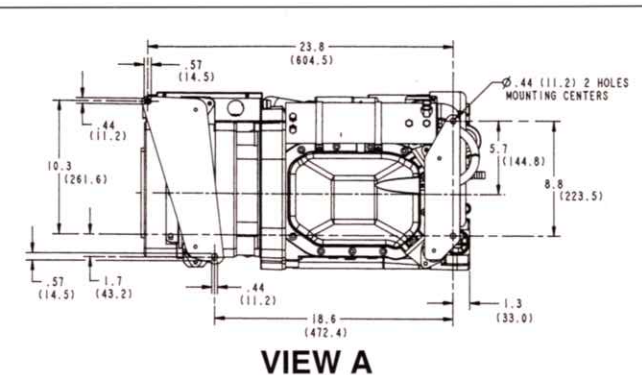
Number of cylinders	3 Cylinder vertical in-line
Type	4 cycle
Displacement	40.3 cu. in. (.66 liter)
Bore and stroke	2.56" x 2.61" (65.0mm x 66.3 mm)
Compression ratio	9.8:1
Rated rpm	60 Hz – 3600 rpm 50 Hz – 3000 rpm
HP @ 3600 rpm	7.54 HP
Maximum angle of operation	Not to exceed 25° in all directions
Exhaust elbow conn.	2.0" OD (50.80mm)
Sea water conn.	0.75" OD (19.05mm)
Dry weight	273 lbs (124 kg)
Combustion system	Semi-spherical type
Aspiration	Naturally aspirated
Lubrication system	Forced pump
Cooling system	3.5 quarts (3.3 liter)
Full load fuel consumption	0.88 GPH (3.3 LPH) (approx.)
Fuel injection	Electronic
Governor	Electronic
Fuel Filter	Secondary, replaceable type
Lube oil filter	Full flow, spin-on element
Lubricant capacity	2.7 quarts (2.6 liters)
Fuel transfer pump	Hi-pressure electric type
Fuel supply piping	1/2" ID (12.70 mm)
Fuel return piping	3/8" ID (9.52 mm)
Starting motor	12 volt, 1.2 kw
Battery charging	17 amps, integral electric type
Cold cranking amps	120 amps @ 70 degrees F
Electrical system	12 volts DC, negative ground

Construction – Engine Components

Cylinder head	Aluminum
Cylinder block	Cast Iron
Crankshaft	Forged crankshaft, four main bearings
Valves	Overhead, rotating type
Fuel System	Electronic fuel injection
Cooling system	Fresh water-cooled with heat exchanger
Exhaust manifold	Cast aluminum, fresh water-cooled

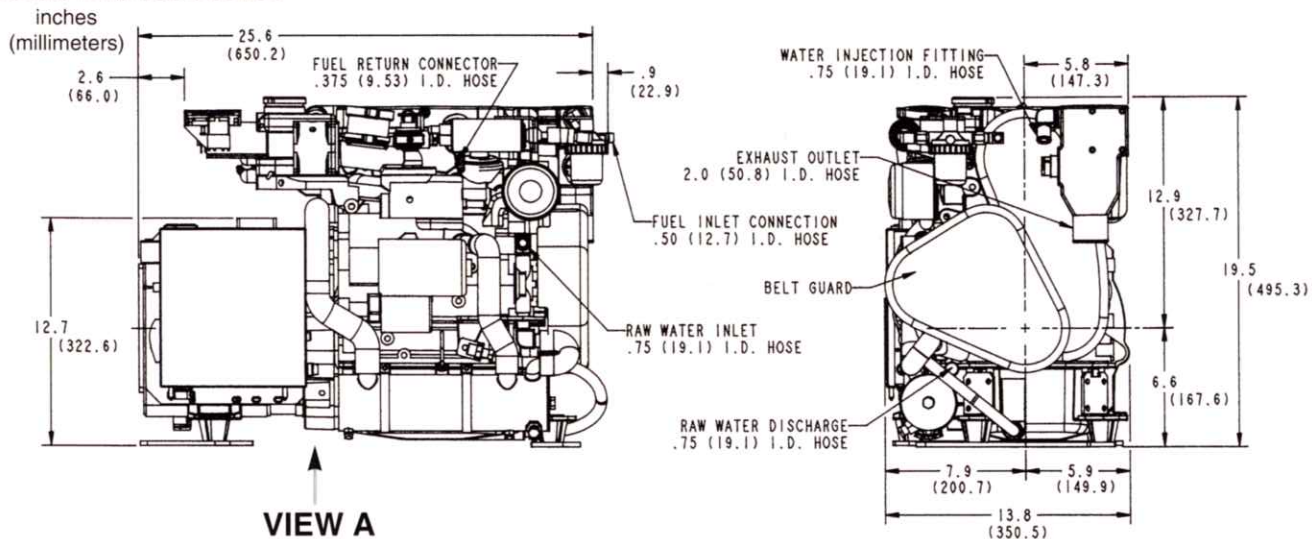
Optional Equipment

- Remote start-stop panel
- Ship-shore switch
- Hydro-hush muffler and fittings
- "A" on-board spare parts kits; "B" extended cruising spare parts kit
- Anti-siphon valve for overboard cooling water discharge
- Technical Manual



VIEW A

Basic Dimensions



Drawings are for reference only and should not be used for installation. Detailed installation drawings are available upon request.