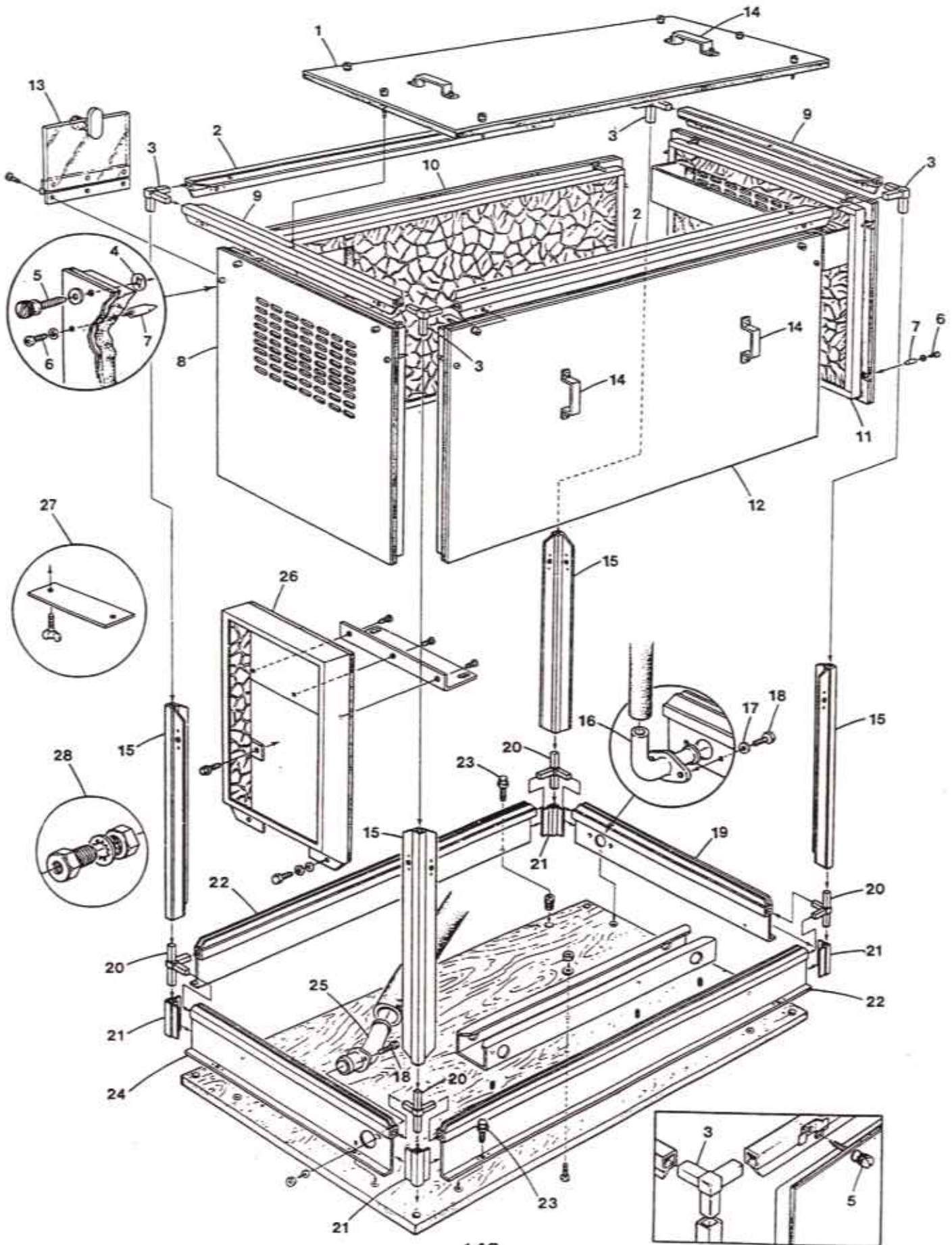


WESTERBEKE 5.0 BCD GENERATOR - SOUND GUARD



WESTERBEKE 5.0 BCD GENERATOR - SOUND GUARD

| REF  | PN     | NAME       | REMARKS                        | QUAN |
|------|--------|------------|--------------------------------|------|
| 1    |        | PANEL      | TOP                            | 1    |
| 2    | 038263 | RAIL       | SIDE                           | 2    |
| 3    | 024057 | CORNER     |                                | 4    |
| 4    | 030896 | RETAINER   | QUICK OPENING SCREW            | AR   |
| 5    | 030895 | SCREW      | QUICK OPENING                  | AR   |
| 6    | 031940 | SCREW      | 6-32 X 3/8 SEMS PHIL HD        | AR   |
| 7    | 030775 | GUIDE      | PANEL ALIGNMENT                | AR   |
| 8    |        | PANEL      | REAR                           | 1    |
| 9    | 038383 | RAIL       | END                            | 2    |
| 10   |        | PANEL      | SIDE                           | 1    |
| 11   |        | PANEL      | FRONT                          | 1    |
| 12   |        | PANEL      | SIDE WITH WINDOW               | 1    |
| 13   | 037417 | WINDOW     | ASSEMBLY                       | 1    |
| 14-1 | 035720 | HANDLE     |                                | AR   |
| 14-2 | 031937 | SCREW      | 8-32 X 3/8 SEMS PHIL HD        | AR   |
| 15   | 040477 | POST       | CORNER                         | 4    |
| 16   | 036624 | ELBOW      | SEA WATER INLET                | 1    |
| 17   | 031752 | LOCKWASHER | 1/4                            | 4    |
| 18   | 031501 | CAPSCREW   | 1/4NC X 1/2                    | 4    |
| 19   | 038328 | SKIRT      | FRONT                          | 1    |
| 20   | 024058 | CORNER     |                                | 4    |
| 21   | 030880 | CLOSURE    | SKIRT CORNER                   | 4    |
| 22   | 038258 | SKIRT      | SIDE                           | 2    |
| 23   | 031503 | CAPSCREW   | 1/4NC X 3/4                    | 8    |
| 24   | 041744 | SKIRT      | REAR                           | 1    |
| 25-1 | 041700 | ELBOW      | EXHAUST 90 DEG 1-7/8IN         | 1    |
| 25-2 | 037816 | BUSHING    | 1-7/8" TO 2" HOSE              | 1    |
| 26   | 041745 | PLENUM     | AIR INTAKE                     | 1    |
| 28   | 023991 | ADAPTER    | FUEL LINES THRU SKIRT-OPTIONAL | 2    |
| 29   | 036069 | BOLT       | ASSEMBLY - PLENUM              | 2    |
| 30   | 038289 | HOSE       | SKIRT TO SEA WATER PUMP        | 1    |