

SOUND GUARD INSTALLATION INSTRUCTIONS & PARTS LIST

FOR BCGTC (CARBURETED ONLY) GASOLINE GENERATORS

INTRODUCTION

Westerbeke's SOUND GUARD for BCGTC Gasoline Generators consists of five powder-coated panels and a powder-coated base. The panels are lightweight and easy to clean. They attach to each other and to the base to form a rigid, compact sound-insulated enclosure for your generator. The front and rear end panels each have an attached sheet metal plenum to allow the entry and circulation of cooling air inside the SOUND GUARD.

The base serves as a drip pan. A drip pan is an important part of your generator installation; not only will it help maintain a clean compartment, but drip pans are required in marine installations.

Assembling Westerbeke's SOUND GUARD is quick and easy, even in close quarters. No tools are needed. The panels are assembled with quick-action neoprene latches and metal clasps. One or more of the panels can be easily removed for inspection and servicing. If major repairs to the generator are needed, the quick-release fasteners and handholds allow the entire enclosure to be disassembled in a few minutes.

The base has 10 grommetted access holes for the generator's external connections including the raw water line, fuel lines, exhaust line, AC wiring and battery cables. Westerbeke supplies the necessary fittings and hoses for these connections. The grommets are precut. Simply use the holes that are the most convenient for your installation.

An elbow is provided for the exhaust line where it passes through the base; a wire-reinforced exhaust hose and hose clamps are included to connect this elbow to the water-injected exhaust elbow on the drive engine.

Note: We recommend using an inline exhaust muffler with this SOUND GUARD.

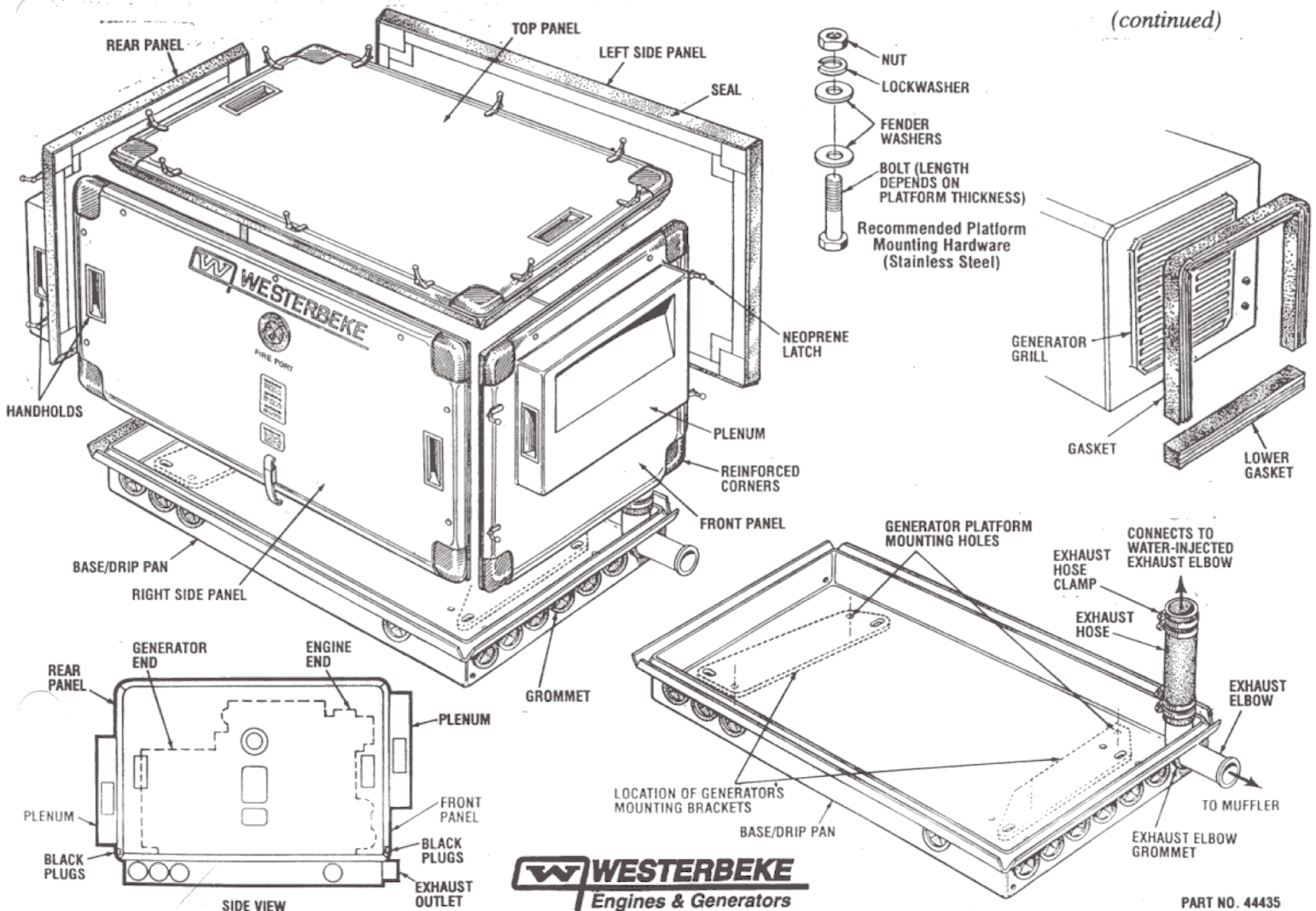
There are pre-drilled mounting holes in the bottom of the base. Use four of these holes to mount the generator and the SOUND GUARD onto the bed/platform.

The SOUND GUARD utilizes the large capacity fan between the engine's flywheel and the generator to supply air for cooling and combustion, and to evacuate air from the SOUND GUARD. The installation must be planned so there is a free circulation of air around the outside of the SOUND GUARD.

INSTALLING THE GENERATOR AND THE SOUND GUARD

Note: For additional mounting information, see Westerbeke's *INSTALLATION MANUAL for MARINE ENGINES & GENERATORS, Publication #43268.*

1. Uncrate the SOUND GUARD, and find the following: base, two side panels, front and rear panels, top panel, and two gaskets to provide a seal for the generator's grill. The installer supplies the mounting hardware.
2. Uncrate the generator.
3. Select the four mounting holes in the SOUND GUARD'S base that apply to your particular generator model.



- When adding the SOUND GUARD to an existing generator installation, place the SOUND GUARD's base on the bed (or platform) and align the four selected mounting holes in the base with the four existing mounting holes in the bed/platform.

For a new installation, position the SOUND GUARD's base on the bed/platform, then drill down into the bed/platform through the four selected mounting holes in the base.

Caution: Two gaskets (Ref. No's 15 & 16) are included to provide a tight seal between the generator's grill and the rear end panel. These gaskets must be installed or damage may occur to the generator's windings. To install the lower gasket, peel off the pressure-sensitive tape and press the gasket firmly into place at the bottom of the generator's grill (see illustration). To install the upper gasket, peel off the tape, fold the gasket on the cut corners, and press it firmly into place around the top and both sides of the generator's grill. The two ends of this gasket should contact the lower gasket.

- Lower the generator onto the base, aligning the four selected holes in the generator's rails with the four mounting holes in the base. Make sure the generator end of the unit faces the rear panel of the SOUND GUARD and that the lower gasket (Ref. No. 15) seals tightly against the base.
- Mount the generator and the SOUND GUARD base onto the bed/platform. If installing onto a platform, mount with hex bolts from below the platform (see illustration). Use stainless steel bolts, washers and nuts.

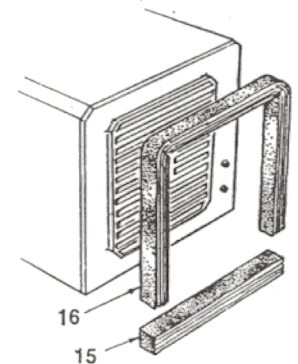
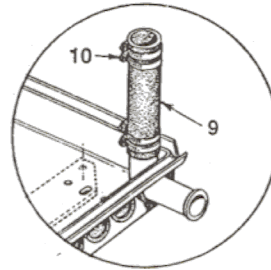
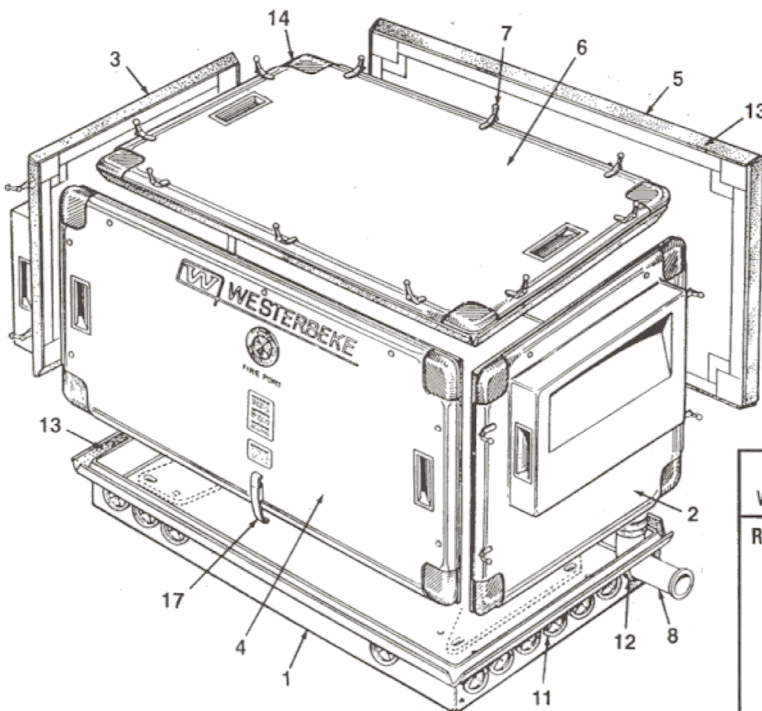
- Select the grommetted holes in the base for the raw water line, fuel lines, AC wiring and battery cables, and make the necessary connections. Choose the holes that are the most convenient for your installation. The elbow for the exhaust line must pass through the opening in the end of the base that is shown in the illustration.

The exhaust hose attached to the elbow is wire-reinforced and, as such, may be difficult to install onto the water-injected exhaust elbow; lubricating the inside of the end of this exhaust hose (approx. 2 inches in) will make this easier to do.

- After all the required external connections have been made through the openings in the base, assemble the five SOUND GUARD panels as follows, using the illustration as a guide.

Note: When assembling the panels, make sure they seat properly in the V-grooves in the base, and that the rubber positioning guides in the sides of the panels fit snugly into the corresponding recesses in the adjacent panels.

- Install any one side panel with any one end panel. Engage the two neoprene latches. *Don't* engage the metal clasp on the side panel yet.
- Install the remaining side panel and end panel. Engage the six neoprene latches. *Don't* engage the metal clasps on the side panels yet.
- Install the top panel and engage its eight neoprene latches with the end panels and the side panels.
- Now engage the metal clasp located at the bottom of each side panel with the base. The installation of the SOUND GUARD is now complete.



SOUND GUARD PARTS LIST

When ordering parts, provide Part Number, Part Name and Quantity for each part needed.

REF. NO.	PART NO.	PART NAME	QTY
1	44370	Base	1
2	44371	Panel, front	1
3	44374	Panel, rear	1
4	44373	Panel, right side	1
5	44373	Panel, left side	1
6	44372	Panel, top	1
7	43775	Latch, neoprene	18
8	42815	Elbow, exhaust	1
9	30901	Hose, exhaust*	
10	11411	Clamps, exhaust hose	4
11	42780	Grommet, rubber	10
12	42782	Grommet, exhaust elbow	1
13	43248	Seal*	
14	42638	Corner	20
15	43575	Gasket, lower	1
16	43616	Gasket, upper	1
17	44080	Clasp	2

* Order as required, by the inch.

