

WESTERBEKE **boat heater**

Cruise in cold weather.

Live aboard year round.

Reduce mold and mildew.

Dry racing sails.

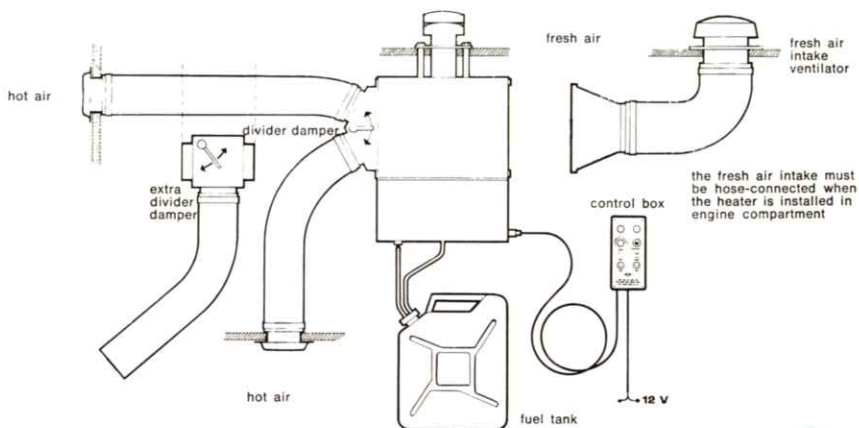
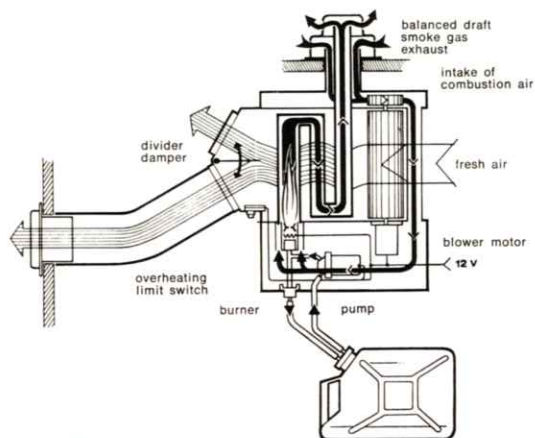
Features:

- 2000-6150 BTU – forced hot air.
- 45-70 cfm ventilation.
- Safe, non-toxic, odor-free.
- Less than 1 amp current drain.
- Burns inexpensive kerosene.
- Remote ignition and control.
- Automatically phased shut down.



proper ducting and ventilation it can keep your whole boat warm, dry and free from mildew the whole year long.

Extend your cruising season with the Westerbeke Boat Heater. Controlled burning and outside exhaust make it safe and odor-free. With



WESTERBEKE Boat Heater

The heater operates with a new vaporizing type kerosene burner, ignited by an electric glow plug.

A diaphragm pump lifts fuel from tank to burner, from which the fuel drains back to the tank.

The combustion air blower draws cold fresh air through the outer chimney pipe, cooling the entire chimney and the hot end of the heater. The hot gasses make several passes through a heat exchanger. They exit through the "balanced draft" exhaust head, which is specially designed to make the system insensitive to gusts.

The hot air blower passes fresh air through the heat exchanger and dividing manifold to the hot air outlets. The combustion system is totally sealed from cabin air. Combustion chamber, heat exchanger and chimney head are of heat resistant stainless steel.

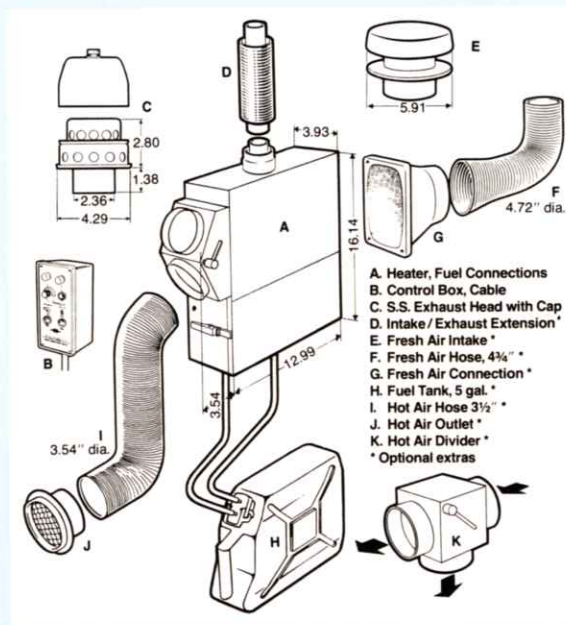
An infinitely variable remote switch regulates the heat from 30% to 100% of capacity. The fan, run alone, provides cool ventilation.

With proper ducting and some insulation, a single Westerbeke Boat Heater can keep most boats warm and dry all winter long.

SPECIFICATIONS

Supply voltage	12 V dc
Current consumption	0.65 - 1 Amps
Output	2000-6150 Btu
Fuel	Kerosene
Fuel consumption	less than 1/2 pt per hour
Ventilation rate	45-70 cfm
Hot air temp increase	55°-110°F
Heater surface temp	less than 180°F
Heat exchanger	Stainless heat resistant steel
All values with 15% tolerance	

The Westerbeke Boat Heater is an important convenience for extended cruising and living aboard. Whether the climate is cold or warm, dampness, mold and mildew are always a problem. A few minutes of dry air a day will go a long way towards making any boat more livable.



The Westerbeke Boat Heater, Westerbeke diesel engines and generator sets are sold and serviced by Westerbeke distributors in major port cities throughout North America.



J. H. WESTERBEKE CORP.

AVON INDUSTRIAL PARK, AVON, MASS. 02322 • (617) 588-7700

CABLE: WESTCORP, AVON • TELEX: 92-4444