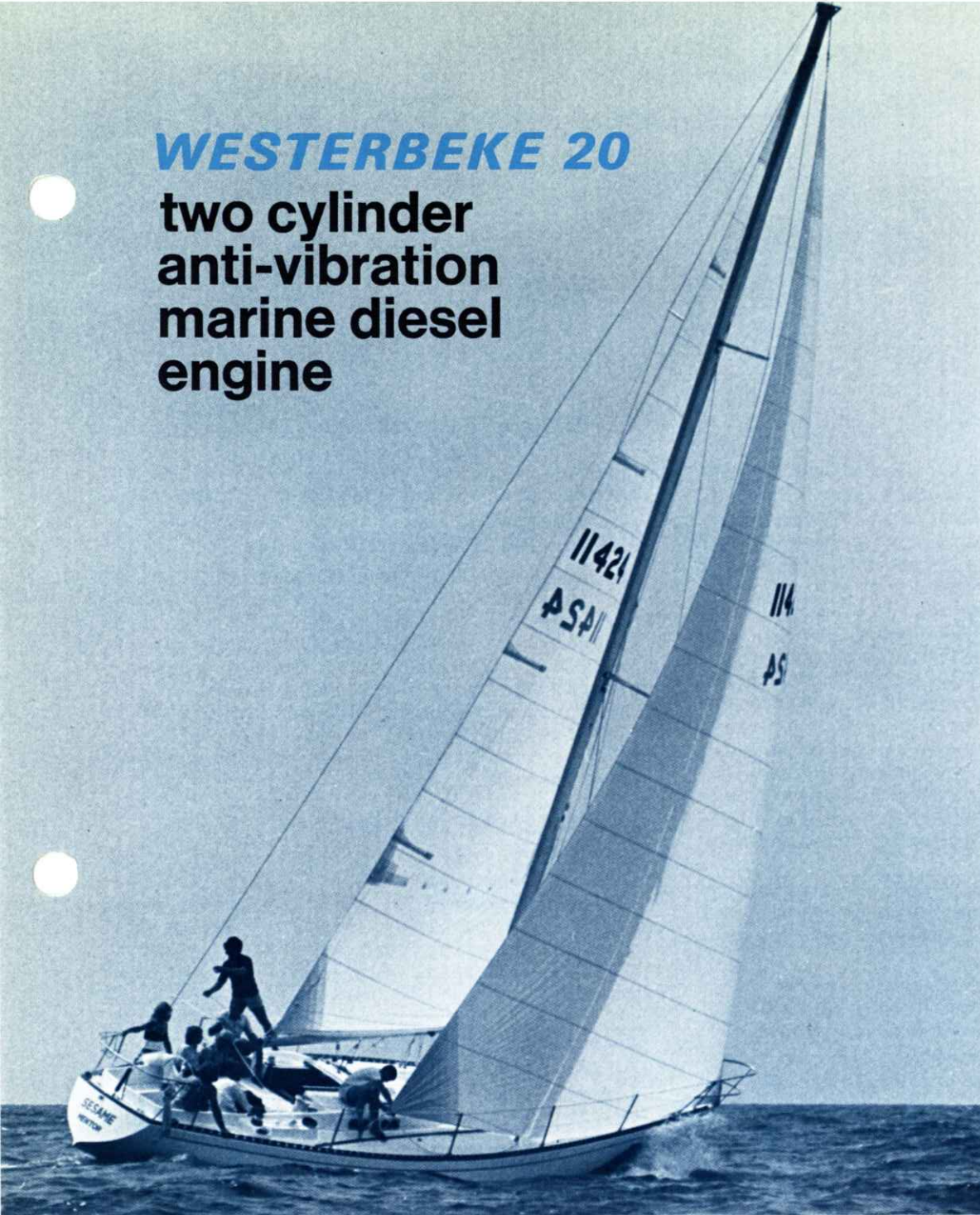


## WESTERBEKE 20

two cylinder  
anti-vibration  
marine diesel  
engine



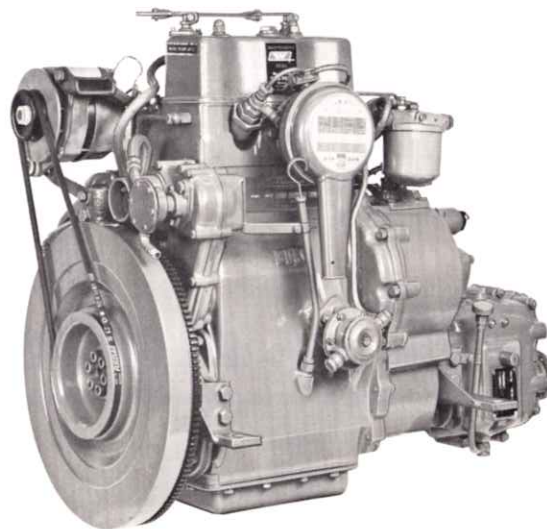
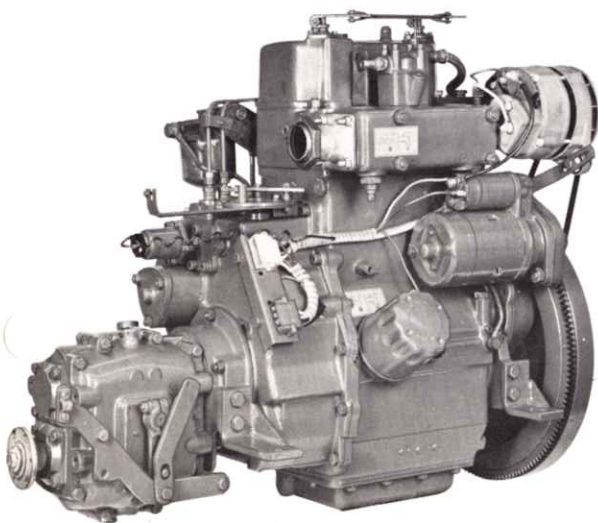
TARTAN 41 by Sparkman & Stephens

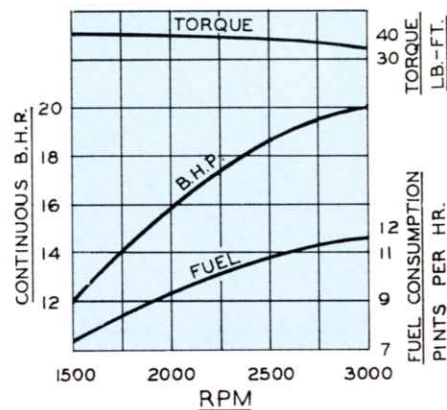
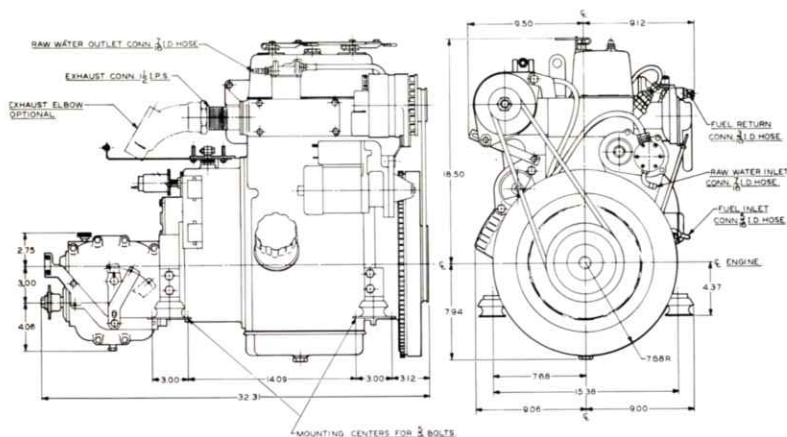
## WESTERBEKE 20 Formerly PILOT-20

### Features:

- **Synchronized Counter-rotating Balancers**  
reduce vibration amazingly.
- **Automatic Injection Timing**  
easier starts, more complete combustion, practically eliminates engine knock and lowers noise level.
- **Vacuum Closure**  
cuts leakage of crankcase fumes and lube oil.
- **Improved Combustion System Design**  
cleaner, quieter, more complete burning.
- **Easy to Install**  
plug-in pre-wiring including control panel and electric fuel shut-off, mounting brackets for control cables.
- **Emergency Hand Starting**  
raised, near center-line for easy operation behind companionway ladder. 2:1 ratio with decompression lever.
- **Corrosion Protection**  
sacrificial zinc rod in cooling system reduces corrosion.

The WESTERBEKE 20 is a modern two cylinder diesel whose design starts where others leave off. It is an anti-pollution engine that uses fuel efficiently, without unnecessary smoke, fumes, noise or vibration. Its smooth and quiet operation foretells long life and dependability.





## WESTERBEKE 20

The WESTERBEKE 20 is a new diesel engine designed to meet the needs of the small boat owner who requires a smoother, quieter two cylinder engine. Although it has a classic look, it is in every respect a modern diesel engine. Most significant is a counter-rotating system of weights that oppose the forces of imbalance generated by the piston and connecting rod. This results in a remarkably smooth engine. Contributing greatly to the quietness of the engine is the highly refined pre-combustion system. The only way to appreciate the smoothness and quietness of the WESTERBEKE 20 is to see and hear the engine run.

An added benefit of its modern design is the clean exhaust and lack of odor provided by the improved pre-combustion system and automatic injection timing. The engine is hermetically sealed and works in a constant vacuum to minimize leakage of crankcase fumes and oil.

Boatbuilders will appreciate the easy-to-install features provided by plug-in pre-wiring, the engine mounted brackets for control cable installation, and the two-position engine mounts.

The discriminating yachtsman who requires diesel safety for a small boat will find that the WESTERBEKE 20 runs quieter and smoother than similar engines.

He will find it unusually dependable. Given the recommended care and maintenance, the engine will last longer than most owners keep their boats.

## Specifications:

- Type:** Two cylinder, four cycle diesel.
- Displacement:** 58.8 cu. in. Bore 3.35". Stroke 3.35".
- Power:** 20 hp at 3000 rpm. See power curve.
- Compression Ratio:** 21.5:1.
- Weight:** 441 lbs. with starter, alternator, reverse, and reduction gear.
- Installation Angle:** 12° maximum.
- Lubrication:** Wet sump system (full flow type) including pre-filter, main filter, and sump pump.
- Fuel System:** Camshaft-driven fuel lift pump. Automatic injection timing. Electric fuel shut-off.

**Cooling System:** Raw water pump with thermostat and protective zincs.

**Electrical:** 12v starter. 30 amp alternator with regulator.

**Transmission:** Reverse and built-in 2:1 reduction gear.

## Standard Equipment:

Built-in reverse and 2:1 reduction gear; electric starter; 30 amp alternator with regulator; engine pre-wiring; lube oil filter, sump pump, centrifugal governor; water cooled exhaust manifold, thermostat, protective zinc rod; air intake filter and silencer; fuel lift pump, secondary fuel oil filter; high-low engine mounts; 1" solid shaft coupling; pre-wired push-button control panel including electric fuel shut off; mounting brackets for throttle and clutch cables; standard set of tools, detailed operating manual.

## Optional Equipment:

1.5:1 and 2.5:1 reverse and built-in reduction gear; vee-drive; deluxe instrument panel with electric tachometer, ammeter, oil pressure and water temperature gauges; flexible adjustable engine mounts; 1" flexible shaft coupling; 3-groove front end pulley; water-injected exhaust elbow; high efficiency exhaust silencer; spare parts kit.

## Diesel Economics

The WESTERBEKE 20 is not much more expensive than a gasoline engine of equivalent performance, but consider the benefits. Diesel fuel is more economical than gasoline. Diesel is safer. You may not be able to put a price on your greater peace of mind, but many insurance companies grant lower premiums to diesel-powered boats. Likewise, you may not be able to evaluate the chance that your dependable WESTERBEKE 20 will save the ship in a tight place, but you can certainly add up the cost of fewer emergency service calls. If your WESTERBEKE 20 lasts twice as long as a gasoline engine, you save the price of the second engine and its installation cost. And finally when you come to sell your boat and you list it with a WESTERBEKE 20, that's money in the bank. A WESTERBEKE 20 is a good investment, and it's backed by Westerbeke service in major port areas in North America.

*DV20ME, made in Denmark by Motorfabriken BUKH A/S for J. H. Westerbeke Corp.*



**J. H. WESTERBEKE CORP.**

AVON INDUSTRIAL PARK, AVON, MASS. 02322 • (617) 588-7700

CABLE: WESTCORP, AVON • TELEX: 92-4444