

120 volt electricity
for power or sail

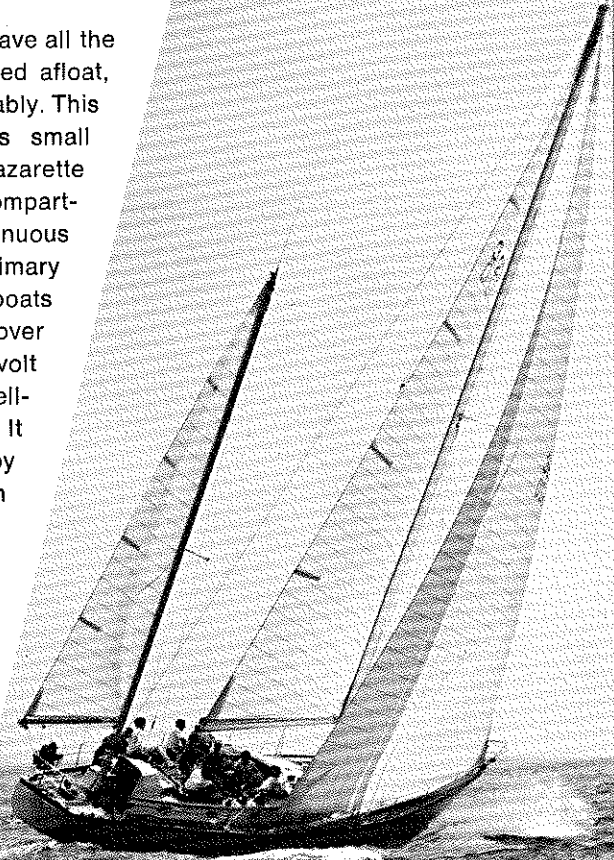
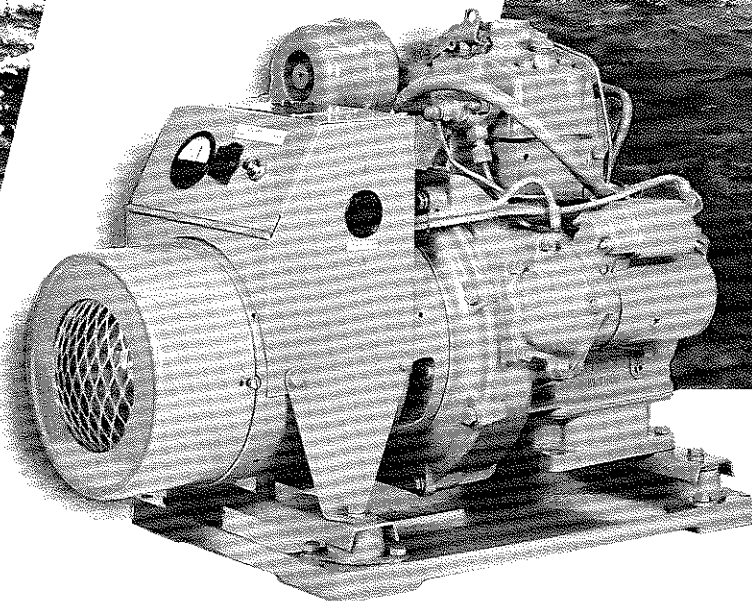
WESTERBEKE

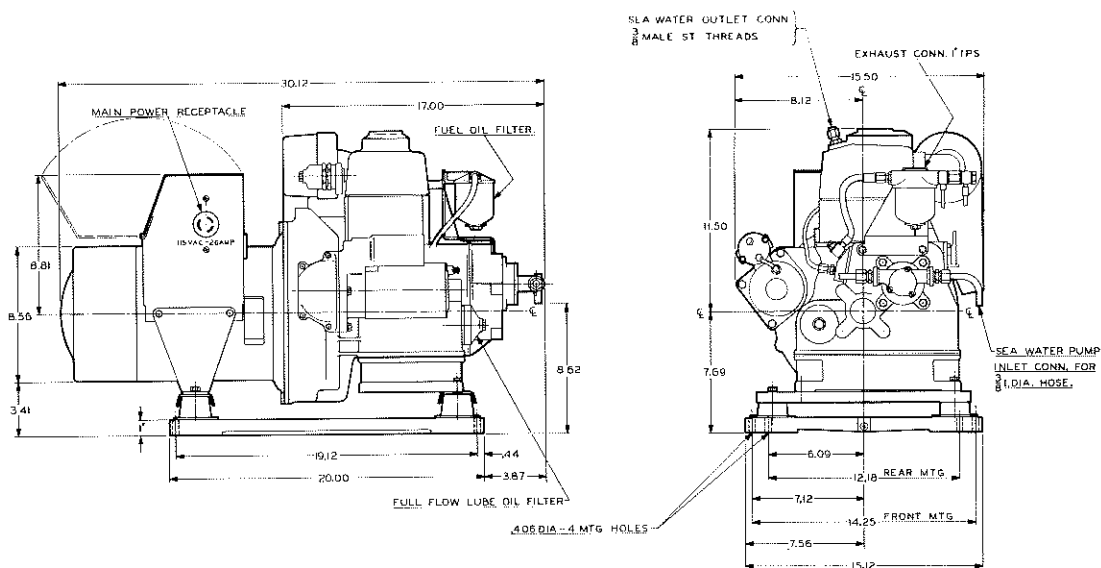
WPD-3 3kw marine diesel generator

Here's the way to have all the electric power you need afloat, compactly and dependably. This small generator set is small enough to fit easily in a lazarette or cramped engine compartment. Its 3000-watt continuous rating makes it ideal as primary power for diesel motor boats over 30 feet and sailboats over 40 feet, to run the 120-volt appliances that make a well-equipped boat a home afloat. It can also serve as stand-by power in larger boats with greater electrical requirements.

Compact and smooth-running, with proper insulation and muffler, the WPD-3 will be a pleasant shipmate even in the quietest anchorage.

REFRIGERATION
ELECTRIC COOKING
MICROWAVE OVEN
CABIN APPLIANCES
POWER TOOLS
NAVIGATION,
COMMUNICATION AND
ENTERTAINMENT EQUIPMENT





Model WPD-3 Specifications

Engine: Single cylinder, water cooled four cycle diesel.

Displacement: 15.9 cu. in.; bore 3"; stroke 2 1/4".

Power: 5.5 hp at 3600 rpm.

Cooling: Positive displacement rubber impeller raw water pump.

Starting: Engine-mounted 12 volt starting motor.

Lubrication: Full pressure to main and connecting rod bearings. Full flow integral replaceable lube oil filter.

Mounting: Engine-generator assembly is mounted on aluminum drip-pan base with heavy duty shielded rubber mounts to minimize vibration.

Fuel System: Bryce injection pump, governed to 3600 rpm. Camshaft-drive fuel lift pump with hand primer.

Fuel Consumption: Approx. 0.45 gallons per hour at full output.

Alternator: Rotating field, single bearing with shaft-mounted fan.

Output: 3000 watts for continuous operation; 25 amps, 120 volts AC. 12 volts DC, 0-5 amps for battery charging.

Frequency: 60 Hertz.

Phase: Single.

Power Factor: Unity.

Controls: Angle-mounted on top of generator for visibility. Cover swings up for easy servicing. Push button start. Solid state battery charging control circuit reduces heat, increases efficiency and reliability, and is immune to vibration and shock. Magnetically shielded ammeter.

Size: See drawing above.

Weight: 233 lbs.

Standard Equipment: Integral drip-pan base with drain plug • cooling system with raw water pump mounted

- full flow lube oil filter
 - fuel lift pump with hand primer
 - flexible hose connections for fuel supply and return
 - threaded exhaust flange 1" I.P.S.
 - separate sump pump and hose
 - secondary fuel oil filter
 - push button start
 - detailed instruction manual.
- Optional Equipment:** Remote start • shore power transfer switch • high-capacity primary fuel oil filter • exhaust silencer • high water temperature — low oil pressure shut down • electric fuel shut-off.

Model WPD-3 Features

WPD-3 is an excellent auxiliary generator for medium-sized diesel-powered yachts with moderate electrical requirements. It is small, light, smooth-running, safe, dependable, and economical to operate.

Electrical demand is greatest in harbor. It's annoying to have your propulsion engine driving an engine-mounted alternator while at anchor. A much better solution is this small, light efficient auxiliary generator set that works only when you need it.

Although the WPD-3 has only a single cylinder, soft flexible mounts and balanced rotating engine parts reduce the vibration transmitted to the hull to a minimum. These, combined with our high efficiency muffler and exhaust system and proper installation, make the WPD-3 a welcome shipmate. Consult your local distributor or the Westerbeke factory for installation recommendations.

Westerbeke marine diesel engine products are built to be the best, most reliable marine equipment available. Our reputation has been built over the years by our products and by our service. Westerbeke distributors in all major port cities help us service these products. Find them in the Yellow Pages under Engines-Diesel or Generators-Electric.

Westerbeke engines are sold and serviced by Westerbeke distributors in major port cities in the United States.



(617) 588-7700

J. H. WESTERBEKE CORP.

LEDEN AVENUE, AVON INDUSTRIAL PARK, AVON, MASS. 02322

CABLE: WESTCORP, AVON

TELEX: 92-4444