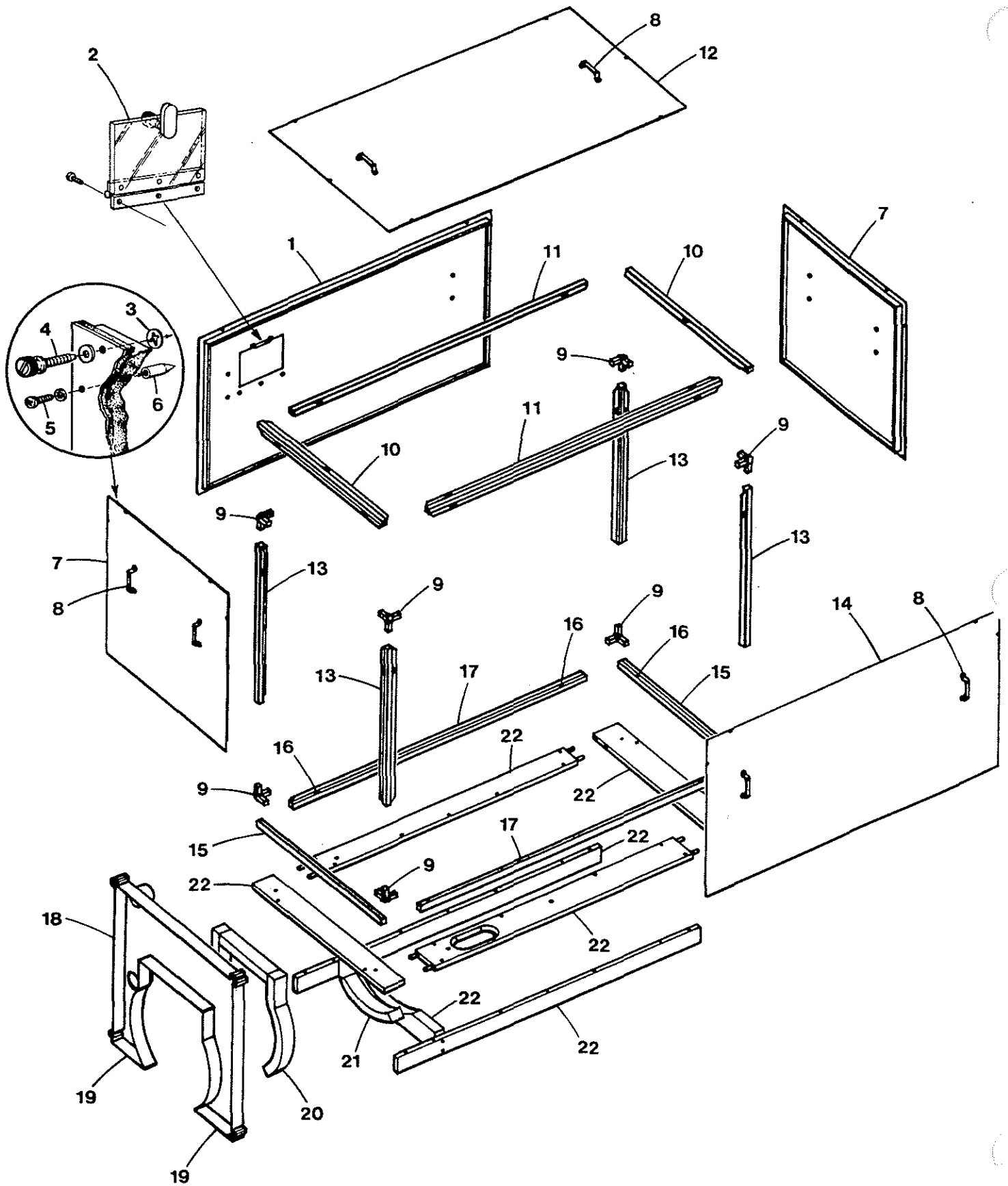


WESTERBEKE 20.0 BEDA - GENERATOR SOUND GUARD



WESTERBEKE 20.0 BEDA - GENERATOR SOUND GUARD

REF	PN	NAME	REMARKS	QUAN
1		PANEL	SIDE WITH WINDOW	1
2	037417	WINDOW	ASSEMBLY	1
3	030896	RETAINER	QUICK OPENING SCREW	AR
4	030895	SCREW	QUICK OPENING	AR
5	031940	SCREW	6-32 X 3/8 SEMS PHIL HEAD	AR
6	030775	GUIDE	PANEL ALIGNMENT	AR
7		PANEL	FRONT AND REAR	2
8-1	035720	HANDLE		10
8-2	031937	SCREW	8-32 X 3/8 SEMS PHIL HEAD	20
9	024057	CORNER		8
10	039364	RAIL	END	2
11	039361	RAIL	SIDE	2
12		PANEL	TOP	1
13	039365	POST	CORNER	4
14		PANEL	SIDE	1
15	038969	SKIRT	END	2
16-1	039470	SCREW	10-32 X 1-3/4 SS	8
16-2	031848	WASHER	10 FLAT SS	8
16-3	031907	NUT	10-32 STOP SS	8
17	038968	SKIRT	SIDE	2
18	039356	AIR DAM		1
19-1	039471	SCREW	8 X 1/2 WOOD ROUND HEAD	2
19-2	031843	WASHER	8 FLAT SS	2
20	039408	FOAM	UPPER AIR SEAL - INCHES REQUIRED	48
21	039408	FOAM	LOWER AIR SEAL - INCHES REQUIRED	12
22		BASE	ASSEMBLY	1
23	039425	SCREW	8 X 1-3/4 WOOD FLAT HEAD SS	10
24	039426	SCREW	14 X 4 WOOD FLAT HEAD SS	8
25	030902	HOSE	2-1/2" ID AIR INTAKE - INCHES REQUIRED	25
26	022559	CLAMP	HOSE 40	2