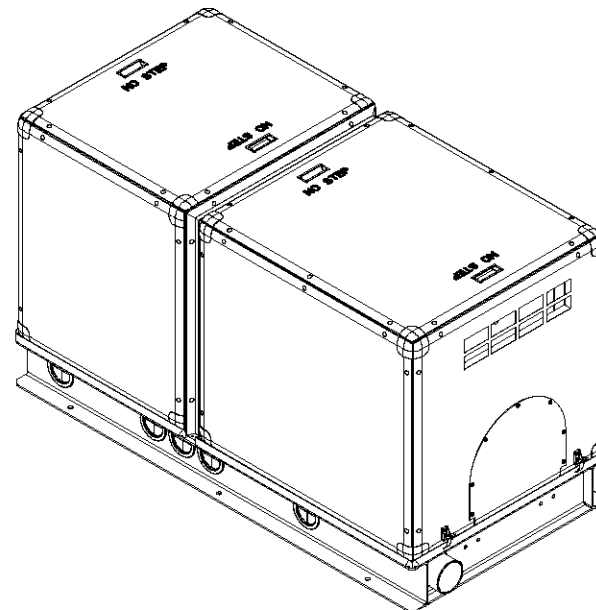
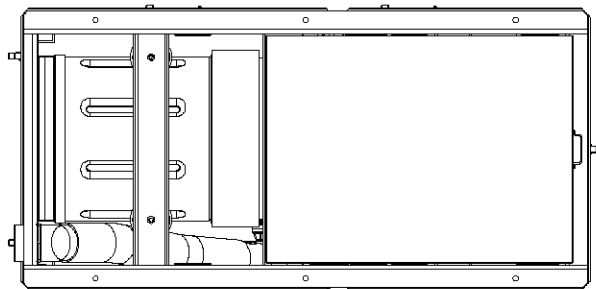
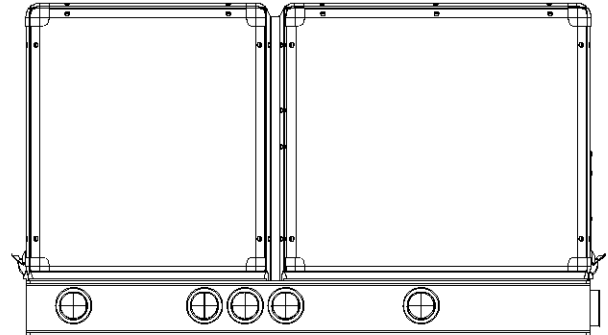
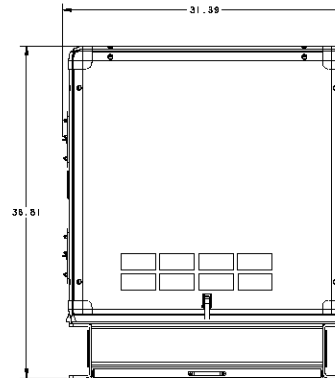
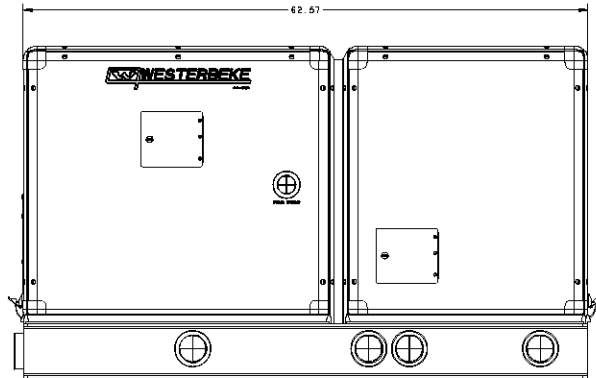
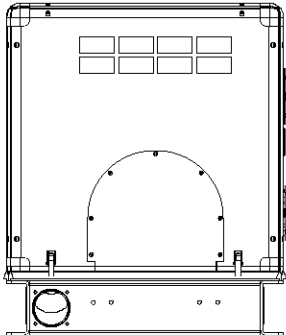
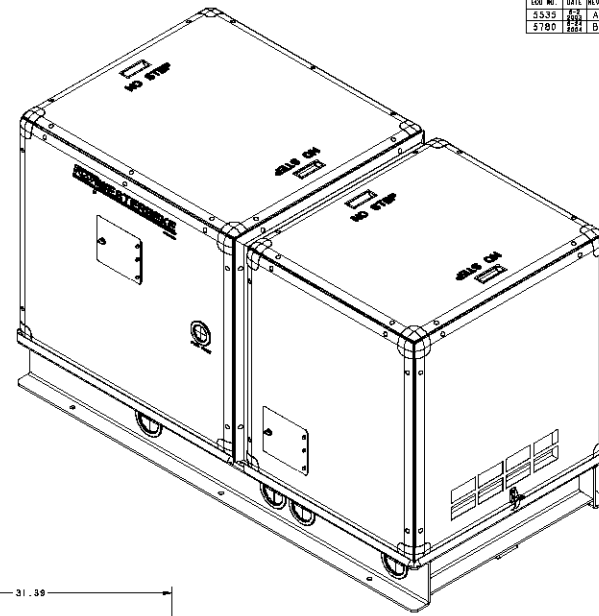
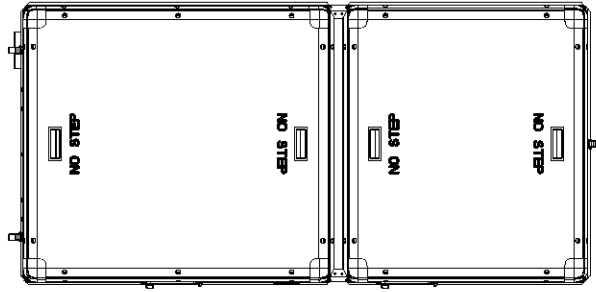


FIG NO.	DATE	REV.	REVISION RECORD	AUTH.	DR BY
5535	05/01	A	RAIL SUPPORT WAS 4 PIECES.		GA
5780	05/01	B	RAIL SUPPORT WAS 2 PIECES.		GA



TOLERANCES (UNLESS OTHERWISE NOTED)		WESTERBEKE CORPORATION TAUNTON, MA. 02780	
FINISHED	MILLIMETER	SOUND GUARD ASS'Y	
±0.125	±0.005	45.0 - 55.0 KW - MULTI-PANEL	
±0.25	±0.010	FORM OR	DATE
±0.50	±0.020	APPROVED BY	DATE
±1.00	±0.050	SCALE	UNIT OR RANGE
±1.50	±0.100	APP. 1 OF 1	E 47949
±2.00	±0.150		B