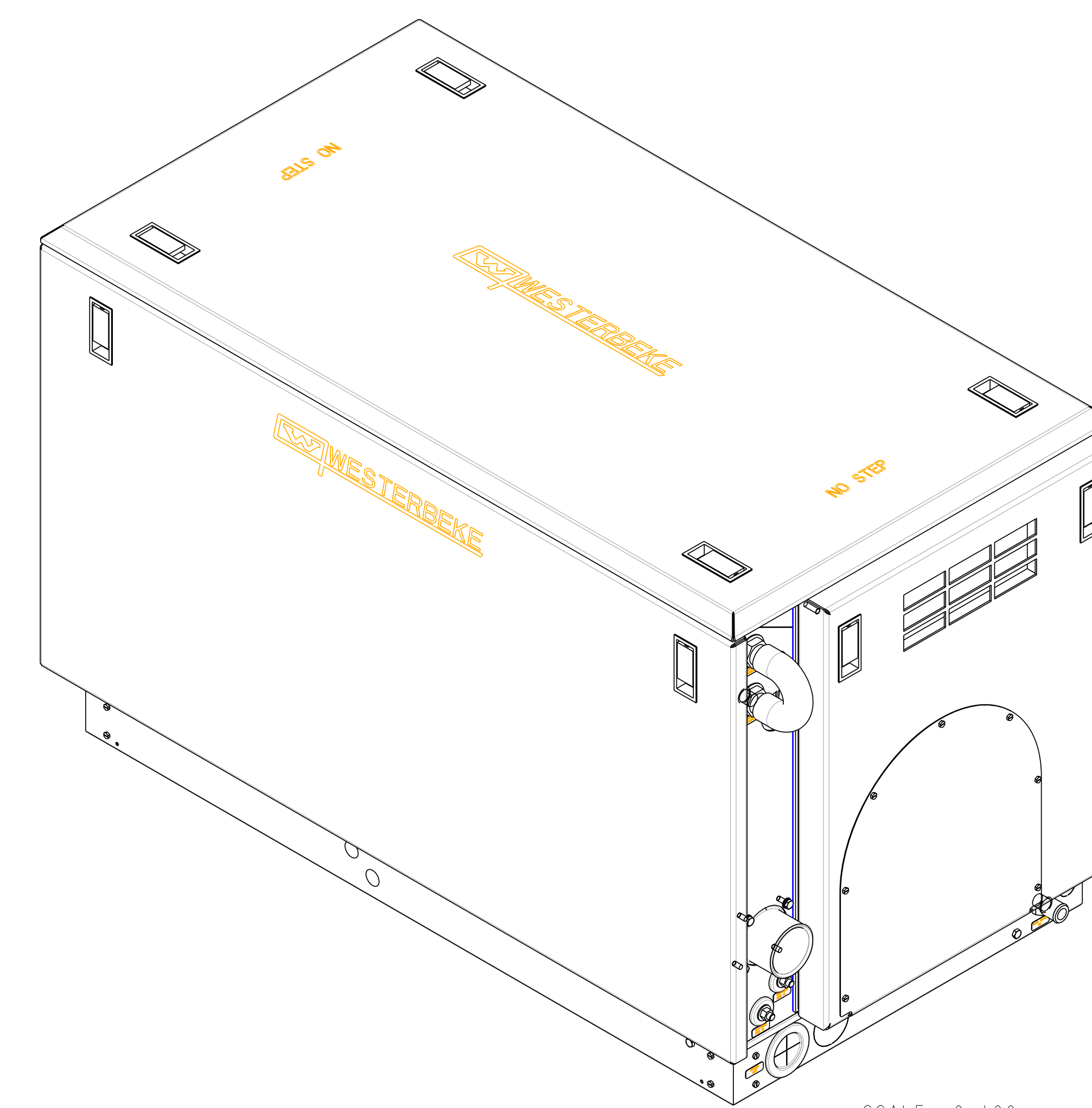
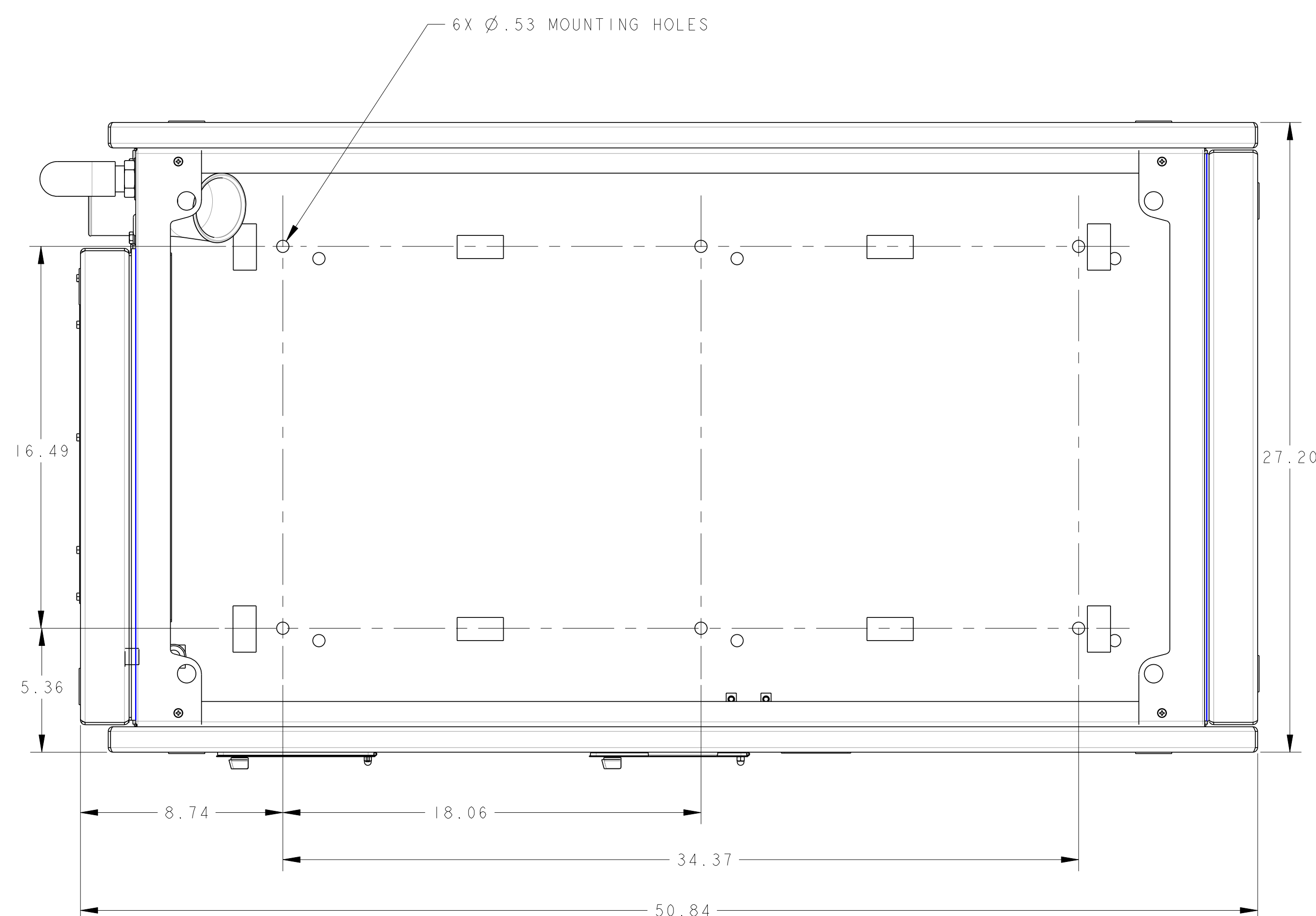
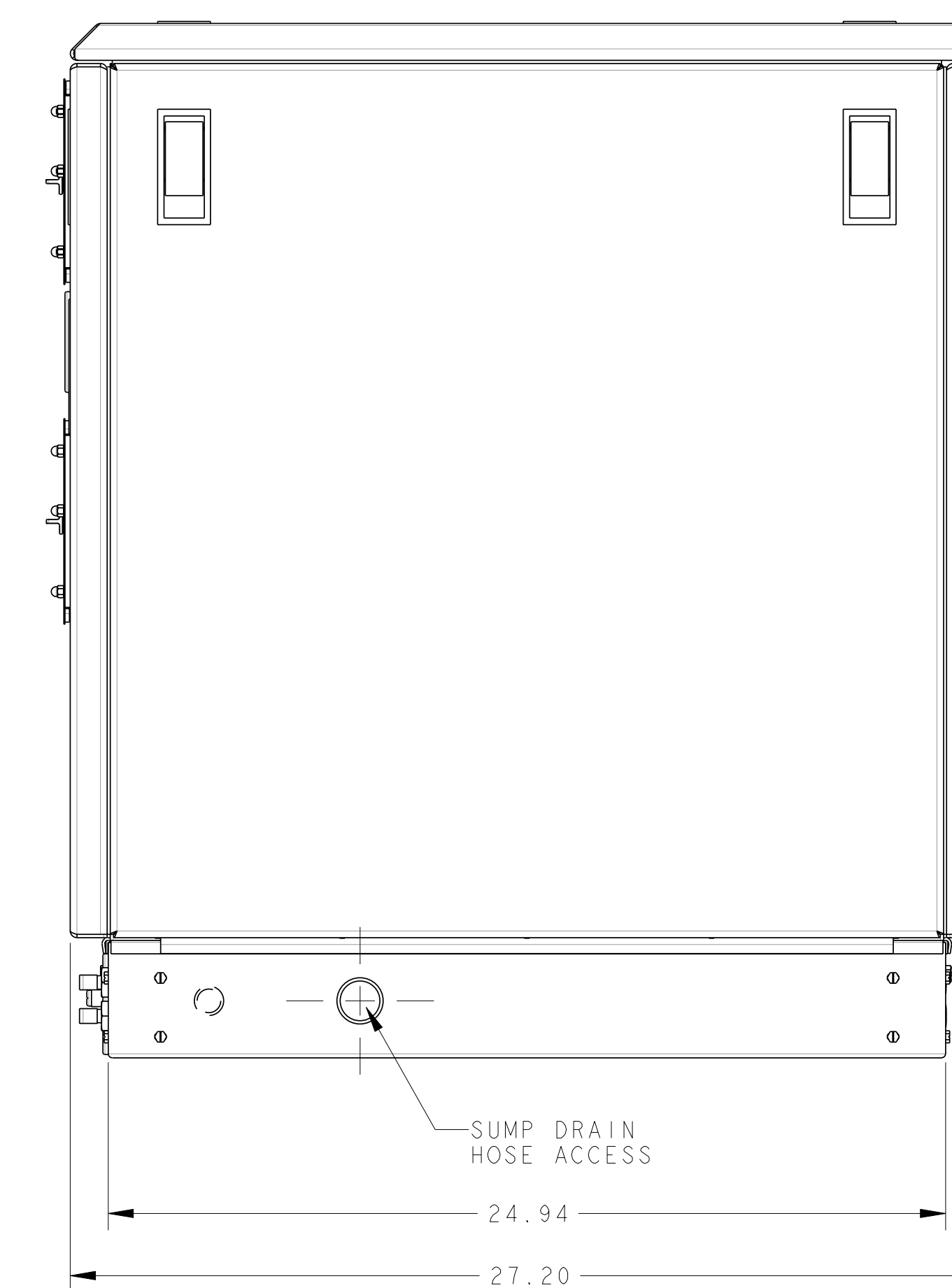
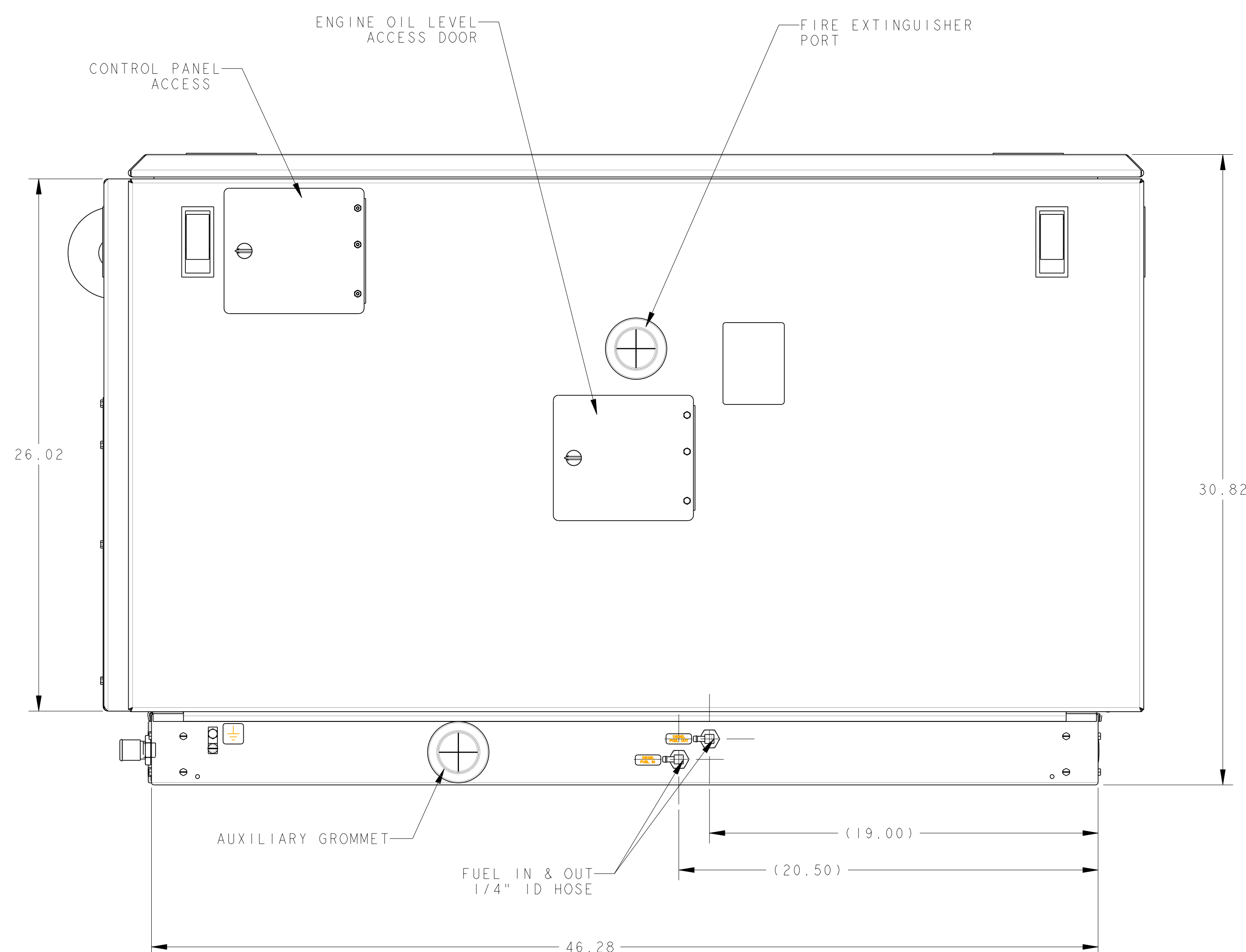
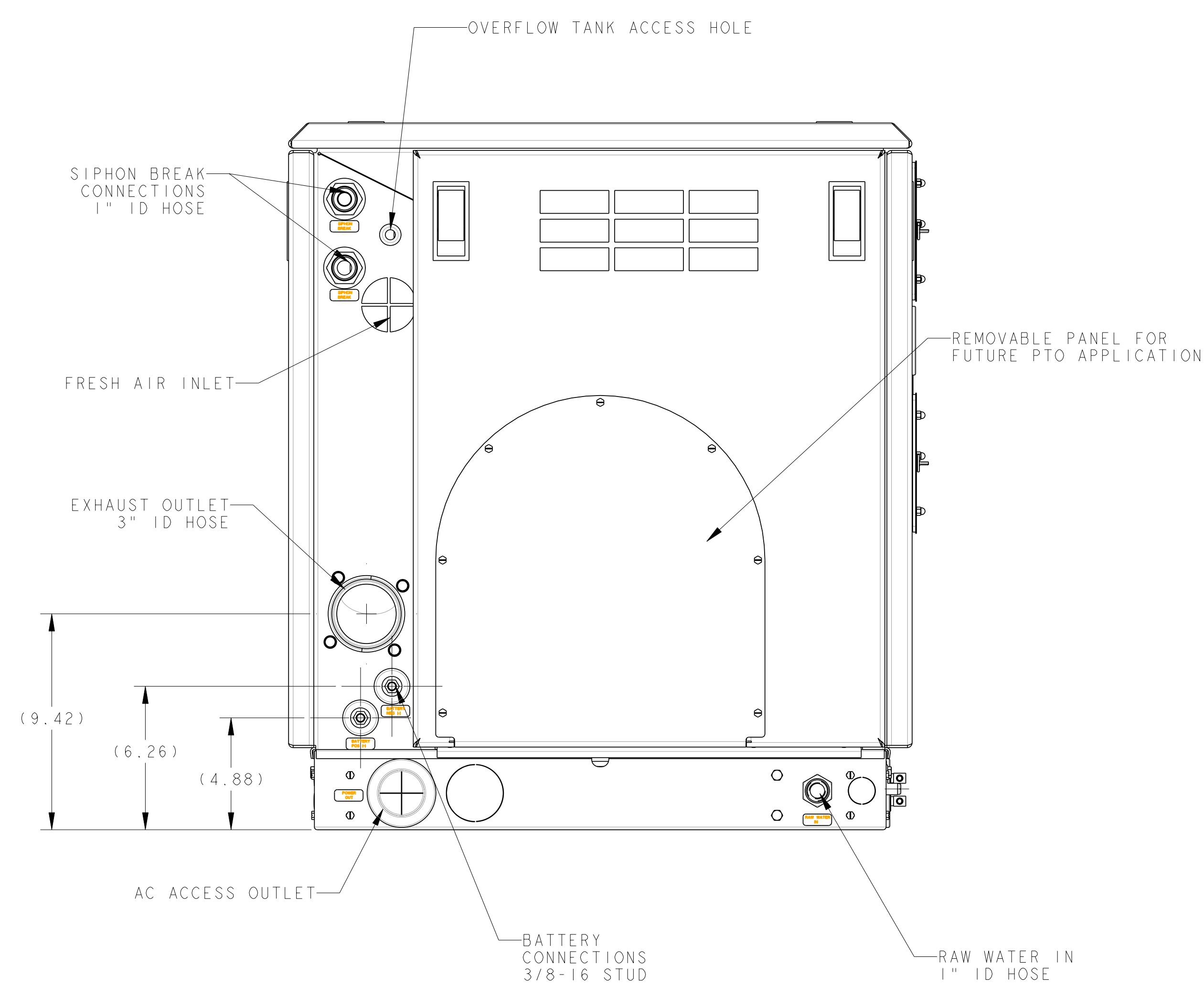


SCALE 0.190



SCALE 0.190



TOLERANCES (UNLESS OTHERWISE NOTED)		WESTERBEKE CORPORATION TAUNTON, MA 02780	
INCHES	MILLIMETERS	TITLE	
.XX ± .02	X ± 1.0	SOUND GUARD, 25.5-33.0 EDE	
.XXX ± .005	XX ± .5	INSTALLATION DWG	
CAST ± .03	XX ± .13	DATE	MATERIAL
ANGLE ± .5°		127 Jan 2007	
FINISH		APPROVED BY	DATE
		DBS	
DIMENSIONS	SCALE 0.250	SIZE	DRAWING NUMBER
INCHES		E	53066
(WHEN APPLICABLE)	Sht. 1 of 1	REV.	A