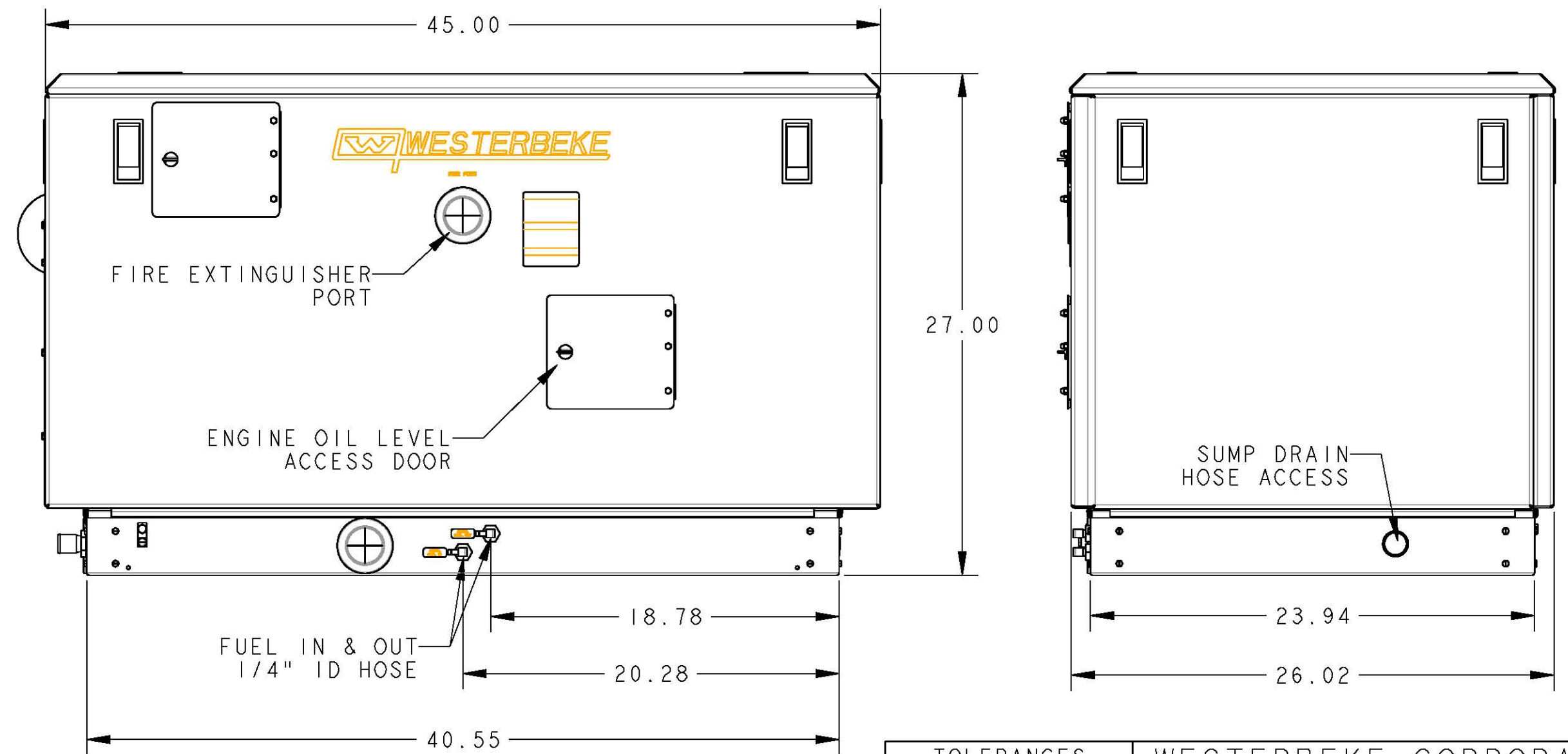
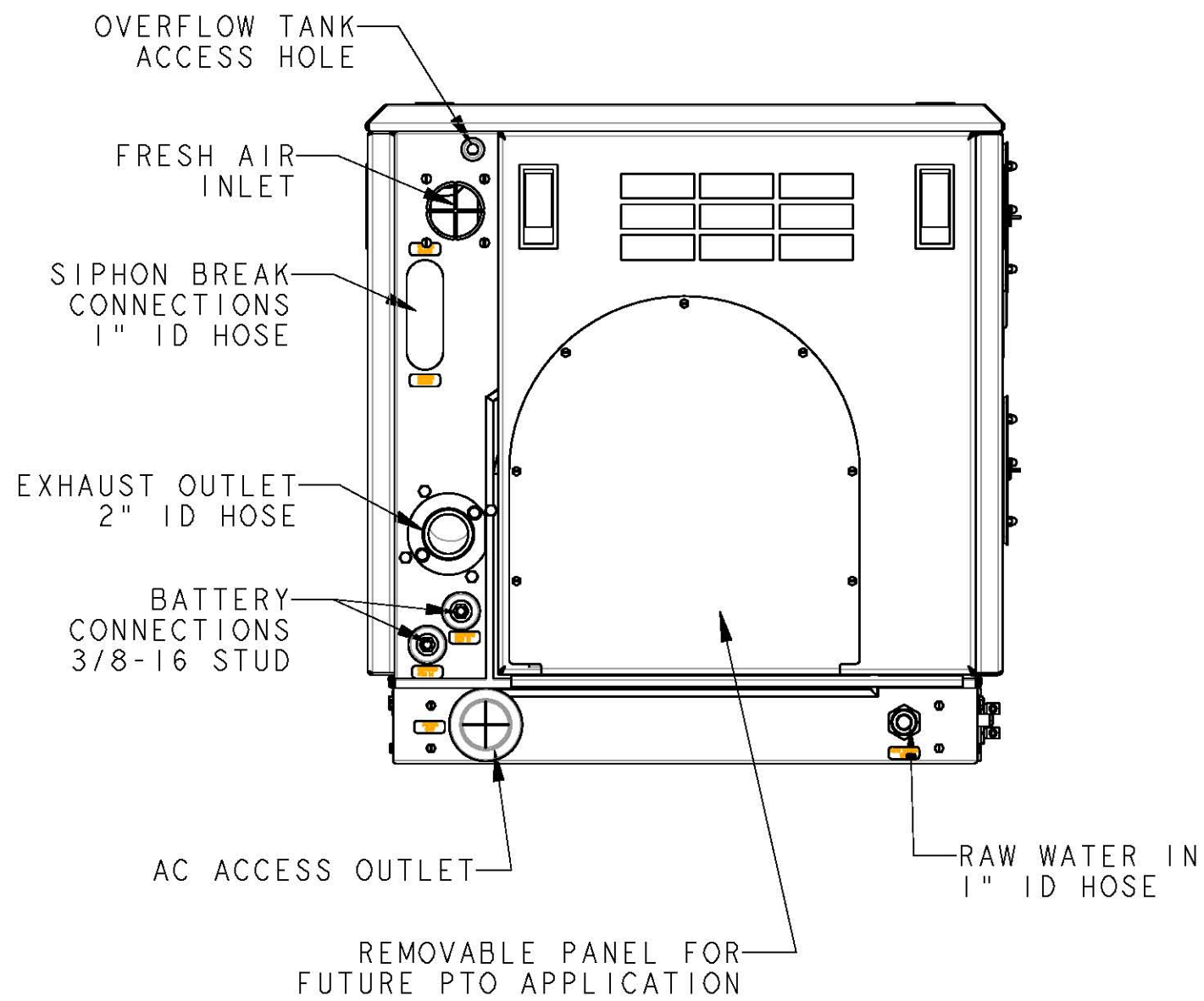
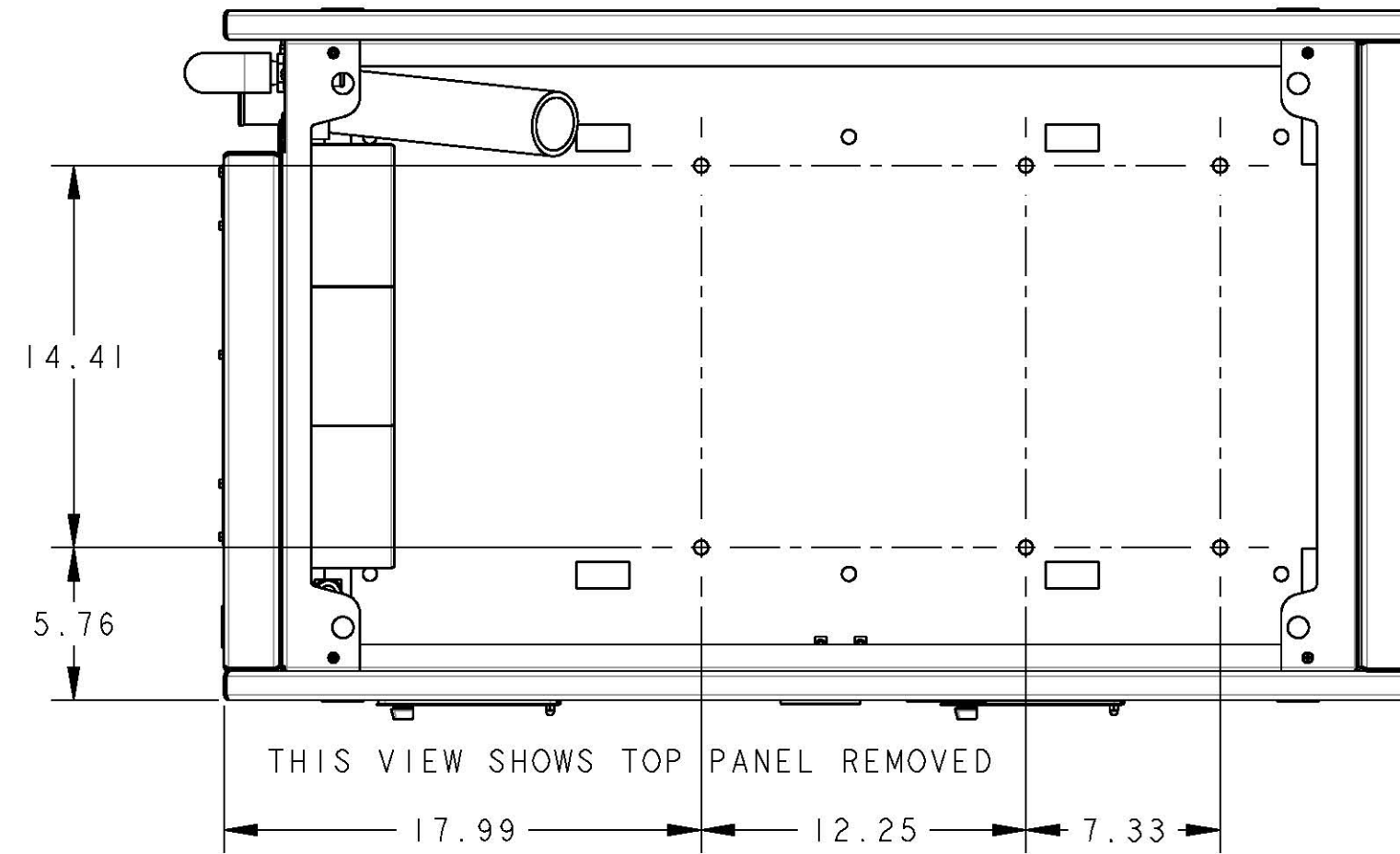


ECO NO.	DATE	REV.	REVISION RECORD	AUTH.	DR.	BY



TOLERANCES (UNLESS OTHERWISE NOTED)		WESTERBEKE CORPORATION TAUNTON, MA. 02780	
INCHES	MILLIMETERS	TITLE	
.XX ± .02	X ± 1.0	SOUND GUARD SSTE 17.0 SSTE	
.XXX ± .005	.X ± .5	INSTALLATION DRAWING	
CAST ± .03	.XX ± .13	DRAWN BY	DATE
FINISH		GA	16/Dec/08
		APPROVED BY	DATE
DIMENSIONS		SCALE	SIZE
INCHES		0.150	C
MILLIMETERS		DRAWING NUMBER	REV.
(WHEN APPLICABLE)		SHT. 1 OF 1	54443