

WESTERBEKE 10 KW MARINE DIESEL GENERATOR SET

Our new model 10 BTD generator set continues a product series introduced by BT8 in 1985.

If your electrical needs are met by 8 kilowatts, there is nothing better on the world market than BT8. For boats which require more capacity there is now 10 BTD.

Its engine is the same fine diesel with increased displacement. Its generator is the same modern design with added copper, more capacity.

Now naval architects, custom and stock builders have available a full 10 kilowatts of electrical energy of the same height and width. Length increases 3 inches and the weight is only 495 pounds.

The model 10 BTD has its own individually fitted Sound Guard and it matches perfectly with Hydro-Hush water lift muffler.

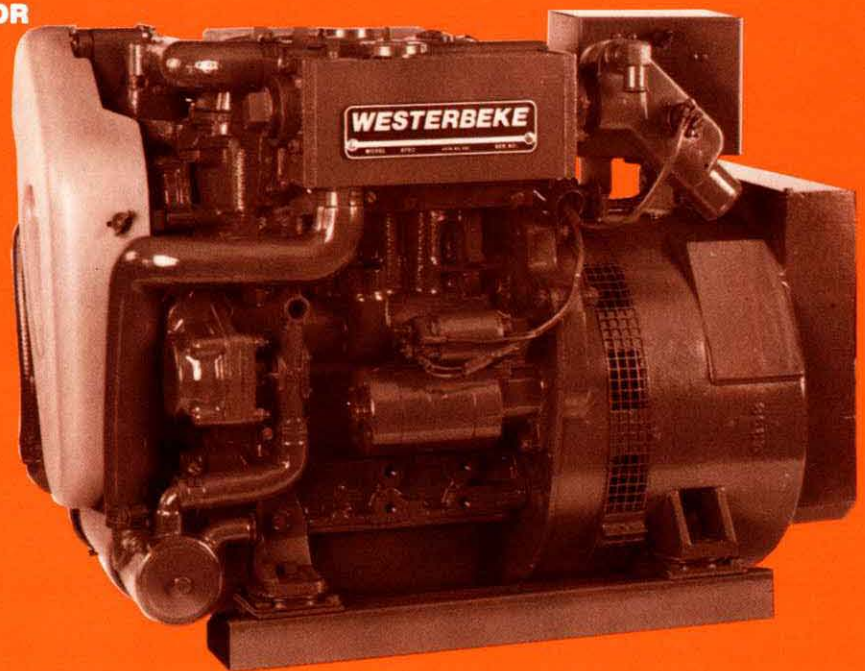
These optional items, also manufactured by Westerbeke, provide the quiet operation that owners enjoy and that adjacent yachtsmen appreciate.

Another new Westerbeke compact brushless BT series diesel generator

- SMOOTH 3 CYLINDER 4 CYCLE PERFORMANCE
- ENCLOSED FRESH WATER COOLING
- AUTOMATIC SAFETY SHUT-DOWN
- SIMPLE ENGINE AND GENERATOR CONTROLS FOR RELIABILITY

STANDARD EQUIPMENT

- 12 Volt Start Motor
- 12 Volt 50 Ampere Alternator
- Coolant Recovery Tank
- Fresh Water Cooling
- Vibration Isolators
- Control Panel
- Water Injected Exhaust Elbow
- Drip Tray
- Belt Guard
- Air Intake Silencer
- High Water Temp. Low Oil Pressure
- High Exh. Temp. Auto Shutdown
- Safety Stop Switch
- Operators Manual



GENERATORS: 3, 4.4, 6, 8, 10, 11, 12.5, 15, 20, 25, 32, 45 kw's

Fresh Water Cooled Diesel and Gasoline Generators from Westerbeke.

WESTERBEKE 10KW MARINE DIESEL GENERATOR

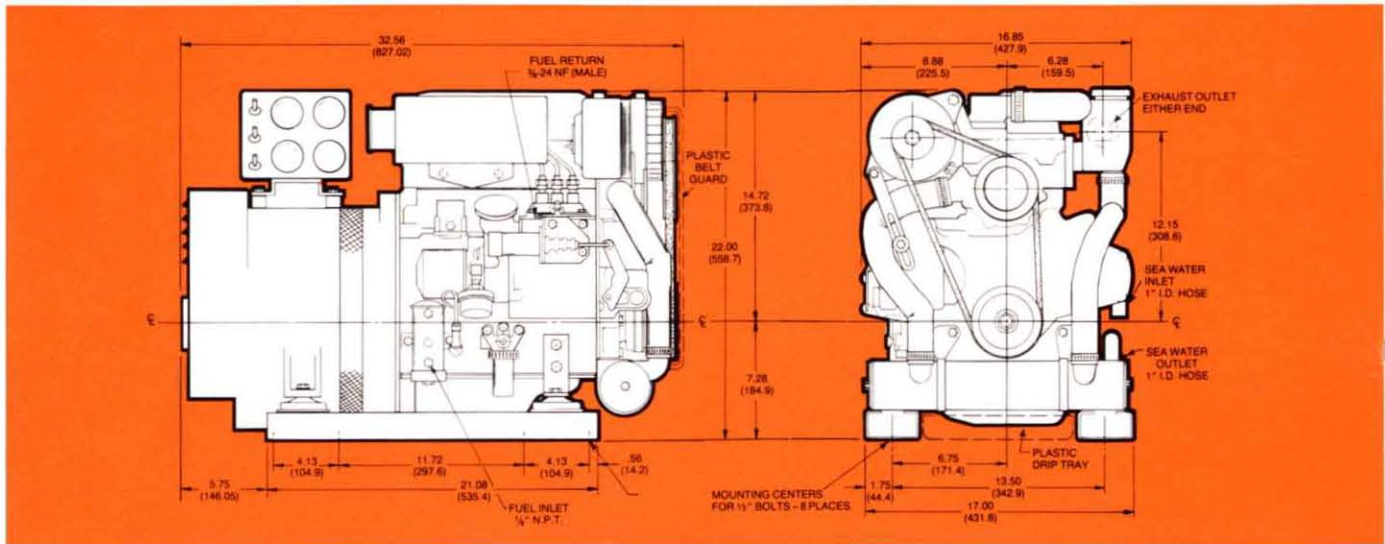
WESTERBEKE 10KW

DESIGN: Brushless, four pole, revolving field, self regulating, pre-lubricated single bearing design. (Optional full power take-off through rear of generator available.)
VOLTAGE REGULATION: Standard $\pm 5\%$ no load to full load. (With optional solid state voltage regulation $\pm 2\%$ no load to full load.)
FREQUENCY REGULATION: 3 Hertz (5%) no load to full load. (Generator is capable of operation at either 50 or 60 Hertz by simple adjustments.)

INSULATION: Class "F" as defined by NEMA MG1-1.65.
TEMPERATURE RISE: Within NEMA MG1-22.40 definition when operating at full load.
COOLING: Cast centrifugal blower, direct connected.
ELECTROMAGNETIC INTERFERENCE LEVEL: Exceeds requirements for most marine radio-telephone equipment and standard AM televisions.

Model	ELECTRICAL CHARACTERISTICS					RATINGS		ENGINE	
	Volts	Amps	Hertz	Phase	Wire	Power Factor	KW	RPM	Start
10 BTD-614	120/240	83.3/41.6	60	1	4	1.0	10	1800	Remote
8 BTD-514	220	36.3	50	1	4	1.0	8	1500	Remote

Adjustable for 60 or 50 hertz

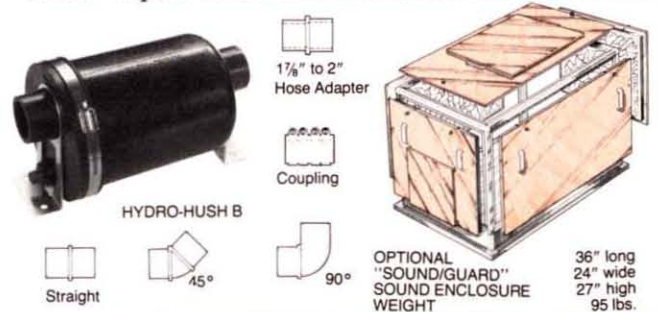


ENGINE

Engine Type 3 cyl, 4 cycle, water cooled, naturally aspirated, vertical overhead valve, diesel engine
 Bore & Stroke 3.07" x 3.07" (78mm x 78mm.)
 Displacement 68 cubic inch (1.12 litre)
 Compression ratio 23 to 1
 Cooling water capacity 5 Qts.
 Fuel Injection Pump Bosch Type with Individual Plunger for each cylinder
 Injectors Pintle type
 Combustion Chamber Swirl type for easy starting and quiet operation
 Total weight 495 lbs.
 Governor Mechanical centrifugal type
 Fuel filter Paper element type
 Lub. oil filter . . . Full flow, spin on, paper element type
 Lub. oil capacity with filter 3.3 Qts.
 Starting motor Geared electric motor, 12 Volt
 Starting aid 12 Volt sheathed type glow plug
 Fuel pump Electric plunger type
 Rated RPM 1800
 Full load fuel consumption approx. 1.0 GPH
 Exhaust Elbow connection O.D. 1 7/8"
 Sea water hose I.D. 1"

OPTIONAL EQUIPMENT

- Sound/Guard Enclosure
- Remote Instrument Panel
- 15' Cable for Remote Panel
- Ship to Shore Transfer Panel
- Hydro-Hush Exhaust Silencer and Accessories.



Call your Westerbeke representative

or contact . . .

