



Now — the smallest, lightest 5 KW generator available

Another breakthrough by Westerbeke

The new low-profile Westerbeke 5 BCDA is just 19.9 inches high and weighs only 336 lbs., making it the smallest, lightest 5 KW diesel generator available. A full 5 continuous kilowatts in only 5 cubic feet of space.

Powered by a smooth three-cylinder engine, the 5 BCDA offers slow speed quiet operation combined with Westerbeke quality and reliability.

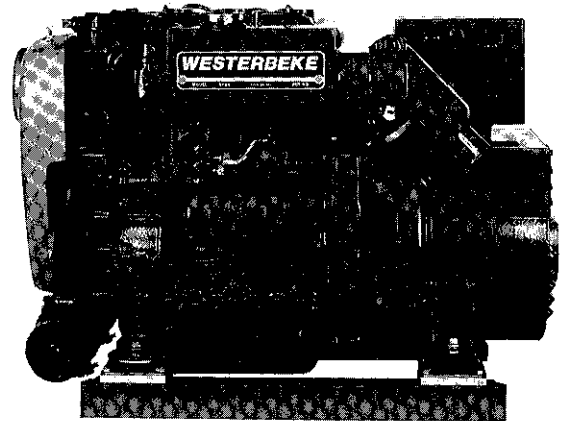
The 5 BCDA offers a variety of features such as single side service, top and side oil fills, full engine instrumentation, built-in power take-off and much more, all as standard equipment.

This new model, like all Westerbeke generators, is designed for operation at either 50 or 60 hertz and can be easily field converted.

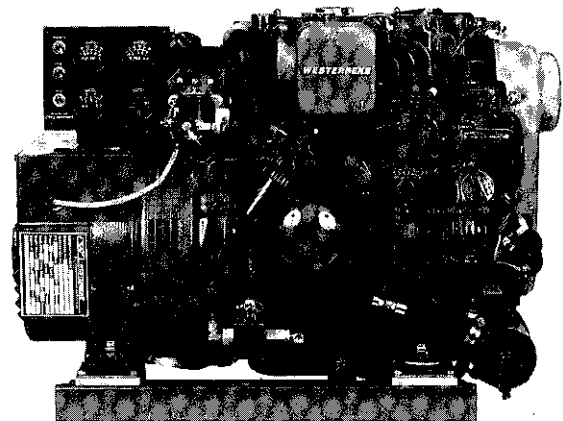
This new space-saving model is as an ideal replacement for older less powerful generators or in installations with heavy electrical loads but with limited space. All Westerbeke generators and engines are backed by over 50 years of marine experience and by a worldwide network of master distributors and dealers for parts and service.

Many features are standard equipment

- Fresh water cooling
- Instrument panel
- Vibration mounts — fail safe rubber type
- 45° water injected elbow
- Coolant recovery tank
- Battery charging
- Safety stop switch
- Drip tray
- Belt guard
- Gear-driven sea water pump
- Lube oil drain hose
- Safety shut-downs — high coolant temperature, low oil pressure, high exhaust temperature
- Oil fill — top and side
- Self-bleeding fuel system
- Operator's manual and parts list
- "CE" Mark



5 BCDA
Diesel Generator



5 BCDA
Diesel Generator

Unit Dimensions

Length	27.2" (690.9 mm)
Width	16.0" (406.4 mm)
Height	19.9" (505.5 mm)
Weight	336 lbs. (152.4 kilos)

See other side for more dimension information

Generator Design

DESIGN: Brushless, four pole, revolving, power takeoff.
VOLTAGE REGULATION: Standard +/- 5% no load to full load.
FREQUENCY REGULATION: 3 Hz (5%) no load to full load.
INSULATION: Class "F", as defined by NEMA MG1-1.65.

TEMPERATURE RISE: Within NEMA MG1-22.40 definition when operating at full load.
COOLING: Cast centrifugal blower, direct connected.
ELECTROMAGNETIC INTERFERENCE LEVEL: Exceeds requirements for most marine radio-telephones and standard TVs.

Model	Electrical Characteristics					Ratings		Engine	
	Volts	Amps	Hertz	Phase	Wire	Power Factor	KW	RPM	Start
5.0 BCDA-614*	120	41.6	60	1	4	1.0	5	1800	Remote
4.0 BCDA-514*	230	17	50	1	4	1.0	4	1500	Remote

* Adjustable for 50 or 60 hertz.

*Consult factory for 120/240 volt application.

Specification

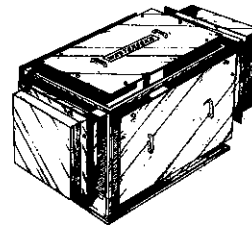
Number of cylinders	3 Cylinder vertical in-line
Type	4 Cycle
Displacement	42.27 cu. in. (.696 liter)
Bore and stroke	2.56" x 2.76" (65.0mm x 70.0 mm)
Compression ratio	23:1
Rated rpm	60 Hz - 1800 rpm 50 Hz - 1500 rpm
HP @ 1800 rpm	9 HP
Maximum angle of operation	Not to exceed 25° in all directions
Exhaust elbow conn.	2" OD (50.8mm)
Sea water conn.	1" OD (25.4mm)
Dry weight	336 lbs (152.4 kilos)
Combustion system	Swirl type
Aspiration	Naturally aspirated
Lubrication system	Forced lubrication by gear pump
Cooling system	4 quarts (3.78 liters)
Starting aid	12 volt sheathed type glow plug
Full load fuel consumption	0.54 GPH (2 LPH) (approx.)
Fuel injection pump	Bosch type, with solenoid shutoff
Governor	Centrifugal type
Injectors	Throttle type
Fuel Filter	Secondary, replaceable type
Lube oil filter	Full flow, spin-on element
Lubricant capacity	3.2 quarts (3.05 liters)
Fuel transfer pump	12 volt electric type
Fuel supply and return piping	1/4" ID (.635 mm) minimum 3/8" ID (.952 mm) maximum
Starting motor	12 volt, solenoid, actuated shift
Battery charging	10 amps, regular type
Cold cranking amps	190 amps
Electrical system	12 volts DC, negative ground

Construction - Engine Components

Cylinder head	Cast Iron
Cylinder block	Cast Iron
Crankshaft	Forged crankshaft, four main bearings
Valves	Overhead valves, rotating type
Fuel System	Self bleeding
Intake system	Tuned intake silencer for maximum noise reduction
Cooling system	Fresh water-cooled with heat exchanger
Exhaust manifold	Cast aluminum, fresh water-cooled

Optional Equipment

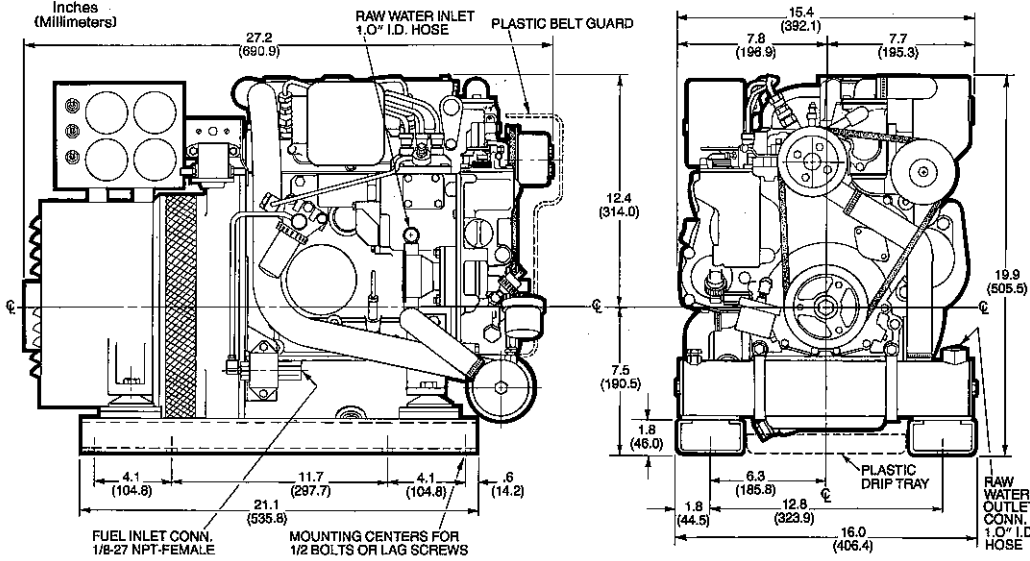
- Remote start-stop panel
- 15' panel ext. harness and cover plate
- Dual station senders
- Ship-shore switch
- Power takeoff adapter
- Fuel/water Separator
- Hydro-hush muffler and fittings
- "A" on-board spare parts kits; "B" extended cruising spare parts kit
- Anti-siphon valve for overboard cooling discharge water
- Technical Manual
- Sound Guard sound enclosure



Optional Sound Guard enclosure provides optimum silencing for the generator. Ruggedly constructed with all panels removable for easy servicing and maintenance.

Length — 33.1" (762 mm)
 Width — 22" (558.8 mm)
 Height — 23" (584.2 mm)
 Weight — 90 lbs. (40.82 Kilos)

Dimensions



Authorized Dealer