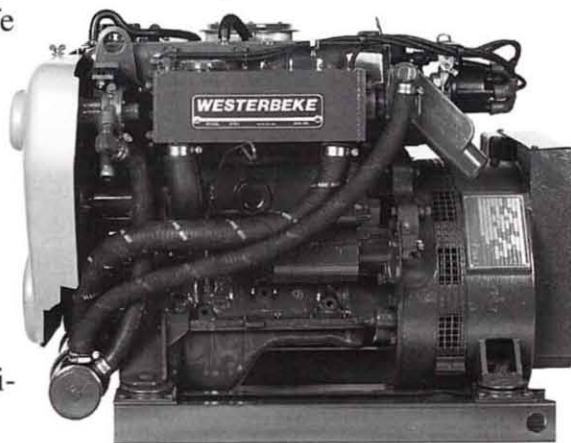




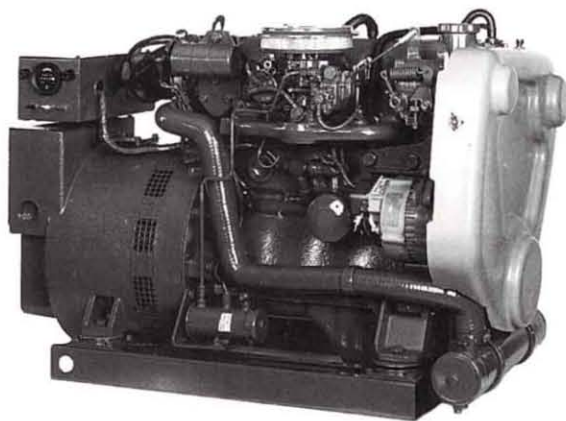
## THE HOUSEBOAT SERIES



A FAMILY OF "HOUSEBOAT" GENERATORS- powered by dependable four cylinder engines for smooth and quiet operation. Their proven reliability with the houseboat rental fleets have made Westerbeke generators the "Standard of the Industry". Their modern overhead cam engines operate at a slow 1800 rpm for long life and low maintenance. The unique Westerbeke "Gasdenser" insures an uninterrupted flow of gasoline to the engine in high ambient temperatures. Electronic Ignition, Simple Control System, One Side Servicing, Engine Hourmeter & Brushless Generator are a few of the many standard features. Built to comply with U.S. Coast Guard Regulation 33CFR-183, these products will easily provide dependable power for all of your "On-board" electrical needs.



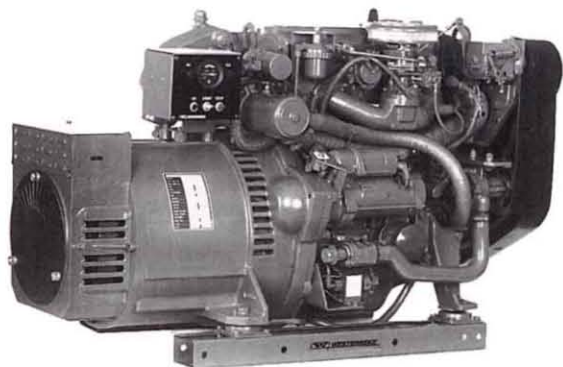
8.5BTGA-614 GASOLINE GENERATOR  
8.5 KW 120-120/240 VOLTS  
SINGLE PHASE, 60 HERTZ



12.5BTG-614 GASOLINE GENERATOR  
12.5 KW 120-120/240 VOLTS  
SINGLE PHASE, 60 HERTZ



15.0BTG-614 GASOLINE GENERATOR  
15.0 KW 120-120/240 VOLTS  
SINGLE PHASE, 60 HERTZ



20BEG-614 GASOLINE GENERATOR  
20.0 KW 120-120/240 VOLTS  
SINGLE PHASE, 60 HERTZ

### Other Standard Equipment

Belt Guard, Lube Oil Drain Hose, Drip Tray, Heat Exchanger Cooling, 12 Volt Fuel Pump, Ignition RFI Shielding 50 Amp Battery Charging Alternator, High Water Temp. - Low Oil Pressure - Overspeed & High Exhaust Temp. Safety Shutdowns, Gasdenser, 50 or 60 Hertz Field Convertible, Power Takeoff Interface

## GENERATOR DESIGN

**DESIGN:** Brushless, four pole, revolving, power takeoff

**VOLTAGE REGULATION:** Standard +/- 5% no load to full load  
20BEG Standard +/-2%

**FREQUENCY REGULATION:** 3 Hz (5%) no load to full load

**INSULATION:** Class "F" as defined by NEMA MGI - 1.66

**TEMPERATURE RISE:** Within NEMA MGI.22.40  
operating at full load

**COOLING:** Cast Centrifugal Blower, Direct connected

**ELECTROMAGNETIC INTERFERENCE LEVEL:** Exceeds  
requirements for most marine radio- telephones  
and standard TVs.

Model	Electrical Characteristics					Ratings		Engine
	Volts	Amps	Hertz	Phase	Wire	P.F.	KW	RPM
8.5BTGA-614	120/240	70/35	60	1	4	1.0	8.5	1800
12.5BTG-614	120/240	104/52	60	1	4	1.0	12.5	1800
15.0BTG-614	120/240	124/62	60	1	4	1.0	15.0	1800
20.0BEG-614	120/240	166/83	60	1	4	1.0	20.0	1800

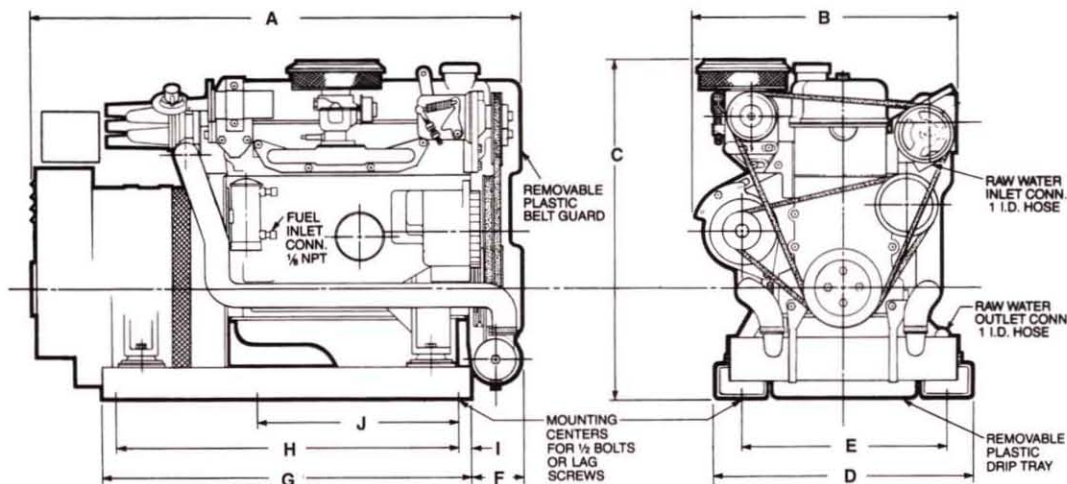
**Notes:** All models are reconnectable to 120 or 120/240 volts output.

All models can be field converted to 230 Volts, 50 Hertz at a reduced KW rating.

Specifications	Model			
	8.5BTGA	12.5BTG	15BTG	20.0BEG
Number of Cylinders	4	4	4	4
Type	4 Cycle	4 Cycle	4 Cycle	4 Cycle
Displacement- Cubic Inches	79.1	79.1	90.9	133.3
Cylinder Bore & Stroke - Inches	3.03x2.74	3.03x2.74	3.03x3.15	3.38x3.70
Horsepower at 1800 RPM	27.0	27.0	27.0	38.0
Exhaust Elbow Connection - Inches	2	2	2	2
Raw Water Connection - Inches	1	1	1	1
Cooling System Capacity - Quarts	5	5	7	9
Lube Oil Capacity - Quarts	3.9	3.9	3.9	4.5
Charging Alternator - Amps	50	50	50	50
Cold Cranking - Amps	200	200	200	250
Electrical System - Neg. Gnd. - Volts	12	12	12	12
Appox. Full Load Fuel Consumption - GPH	1.10	1.25	1.6	2.6

### Optional Equipment

- Remote Stop-Start Panel
- Remote Engine Instrument Panel
- Ship-Shore Transfer Switch
- Hydro-Hush Muffler
- Anti-siphon Valve
- Technical Manual
- "A" & "B" On-board Spare Kits



Model Number	Dry Weight	Dimensions - Inches									
		A	B	C	D	E	F	G	H	I	J
8.5BTGA-614	513 Lbs	31.5	18.8	23.6	18.0	14.5	2.94	25.0	20.31	3.81	10.16
12.5BTG-614	533Lbs	33.6	18.8	23.6	18.0	14.5	2.94	25.0	20.31	3.81	10.16
15.0BTG-614	560 Lbs	33.6	18.8	23.6	18.0	14.5	2.94	25.0	20.31	3.81	10.16
20.0BEG-614	940 Lbs	42.2	22.0	27.3	20.0	16.5	6.25	27.5	20.31	4.06	10.16