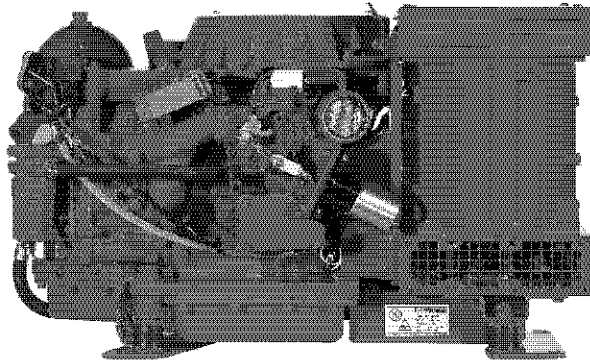


Small, light, powerful – the new 3.0 BCG



3.0 BCG Marine Gasoline Generator

The Most Compact 3.0kW

The 3.0 BCG not only has the smallest envelope available, but there is not another generator like it. The 3.0 BCG was specifically designed for the small boat owner who previously didn't have available space to accommodate a generator with "punch".

Lightweight & Powerful

Weighing in at only 172 pounds (78kg) the 3.0 BCG weighs less per kW than one would expect while producing enough power to run an air conditioner or water heater, etc.

Smooth & Quiet Operation

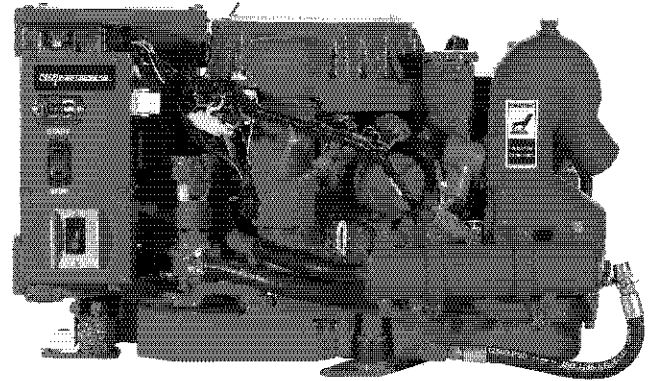
Featuring two-cylinders instead of one, a low 2200-rpm instead of 3000 or 3600, and a specially designed flywheel: the 3.0 BCG provides smooth performance and a low rpm quiet operation that renders a sound shield unnecessary.

Simple Installation

The 3.0 BCG is a simple "plug & play" genset with minimal wiring in the control box. An optional remote start/stop is available with harness to plug into the side of the control box.

Easy Operation

A simple "one-touch" rocker switch eliminates the need for separate start, stop and priming switch.



3.0 BCG Marine Gasoline Generator

Electronic Governor

Maintains steady speed, provides optimum fuel efficiency and eliminates "bogging down" when load is applied.

Standard Features

- Simple, "one touch" start/stop control panel with running hour meter
- Electronic governing
- Overspeed protection
- Safety shut-downs — overspeed, low oil pressure, high exhaust temperature
- A.C. circuit breaker
- 11 Amp battery charger
- Fresh water cooling
- Water injected exhaust elbow
- Belt-driven, raw water pump
- Vibration mounts
- Lube oil drain hose
- Belt guards
- Operators' manual and parts list
- Meets U.S.C.G. regulation 33CFR-183

Generator Design

DESIGN: Brushless, two-pole.
VOLTAGE REGULATION: Standard +/- 5% no load to full load.
FREQUENCY REGULATION: .7 Hz (1%) no load to full load.
INSULATION: Class "H" as defined by NEMA MG1-1.66.

TEMPERATURE RISE: Within NEMA MG1-22.40 operating at full load.
COOLING: Molded centrifugal blower, direct connected.
ELECTROMAGNETIC INTERFERENCE LEVEL: Exceeds requirements for most marine radio-telephones and standard TV's.

Model	Electrical Characteristics					Ratings		Engine	
	Volts	Amps	Hertz	Phase	Wire	Power Factor	KW	RPM	Start
3.0 BCG-612	120	25	60	1	4	1.0	3.0	2200	Remote
3.0 BCG-512	230	13	50	1	4	1.0	3.0	2200	Remote

* Not field convertible to 50 or 60Hz

Specifications

Number of Cylinders	2 Cylinder, horizontal in-line
Type	4 cycle
Displacement	20.0 cu. in. (.33 liter)
Bore and stroke	2.32" x 2.36" (59.0mm x 60.0mm)
Compression ratio	9:1
Rated RPM	2200
HP @ Rated RPM	6.0 HP
Maximum angle of operation	Not to exceed 25° in all directions
Exhaust elbow conn.	2.0" OD (50.8mm)
Raw water conn.	.50" OD (12.7mm)
Dry weight	172 lbs. (78 kilos)
Combustion system	Semi-spherical type
Aspiration	Naturally aspirated
Lubrication system	Forced pump
Cooling system	Fresh water
Full load fuel consumption	.48 GPH (1.8 LPH)
75% load fuel consumption	.38 GPH (1.4 LPH)
50% load fuel consumption	.34 GPH (1.3 LPH)
25% load fuel consumption	.28 GPH (1.1 LPH)
Carburetor	Side draft type
Governor	Electronic
Lube oil filter	Full flow, spin on element

Lubricant capacity	1.5 quarts (1.4 liters)
Fuel transfer pump	Mechanical type
Fuel supply piping	.25" ID (6.35mm)
Starting motor	12 volt, .6kW
Battery charging	11 amps, flywheel alternator
Cold cranking amps	70 amps @ 70 degrees F
Electrical system	12 volts DC, negative ground

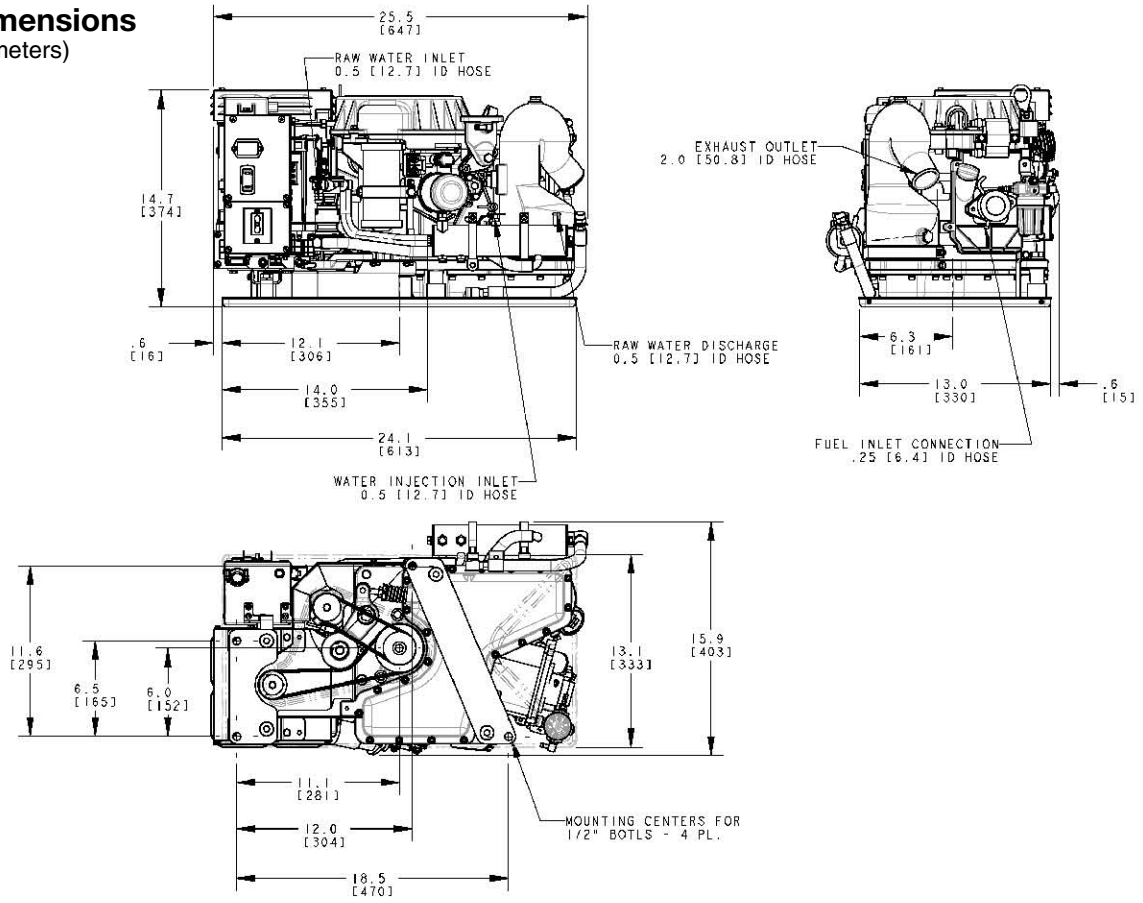
Construction – Engine Components

Cylinder head	Aluminum
Cylinder block	Aluminum
Crankshaft	Forged crankshaft, two main bearings
Valves	Overhead
Fuel system	Carbureted w/U.S.C.G. approved flame arrestor
Exhaust manifold	Cast almag, raw water-cooled

Optional Equipment

Remote start-stop panel
Ship-shore switch
Hydro-hush muffler and fittings
"A" on-board spare parts kit; "B" extended cruising spare parts kit
Anti-siphon valve for overboard cooling water discharge
Technical Manual

Basic Dimensions
inches (millimeters)



Drawings are for reference only and should not be used for installation. Detailed installation drawings are available upon request.