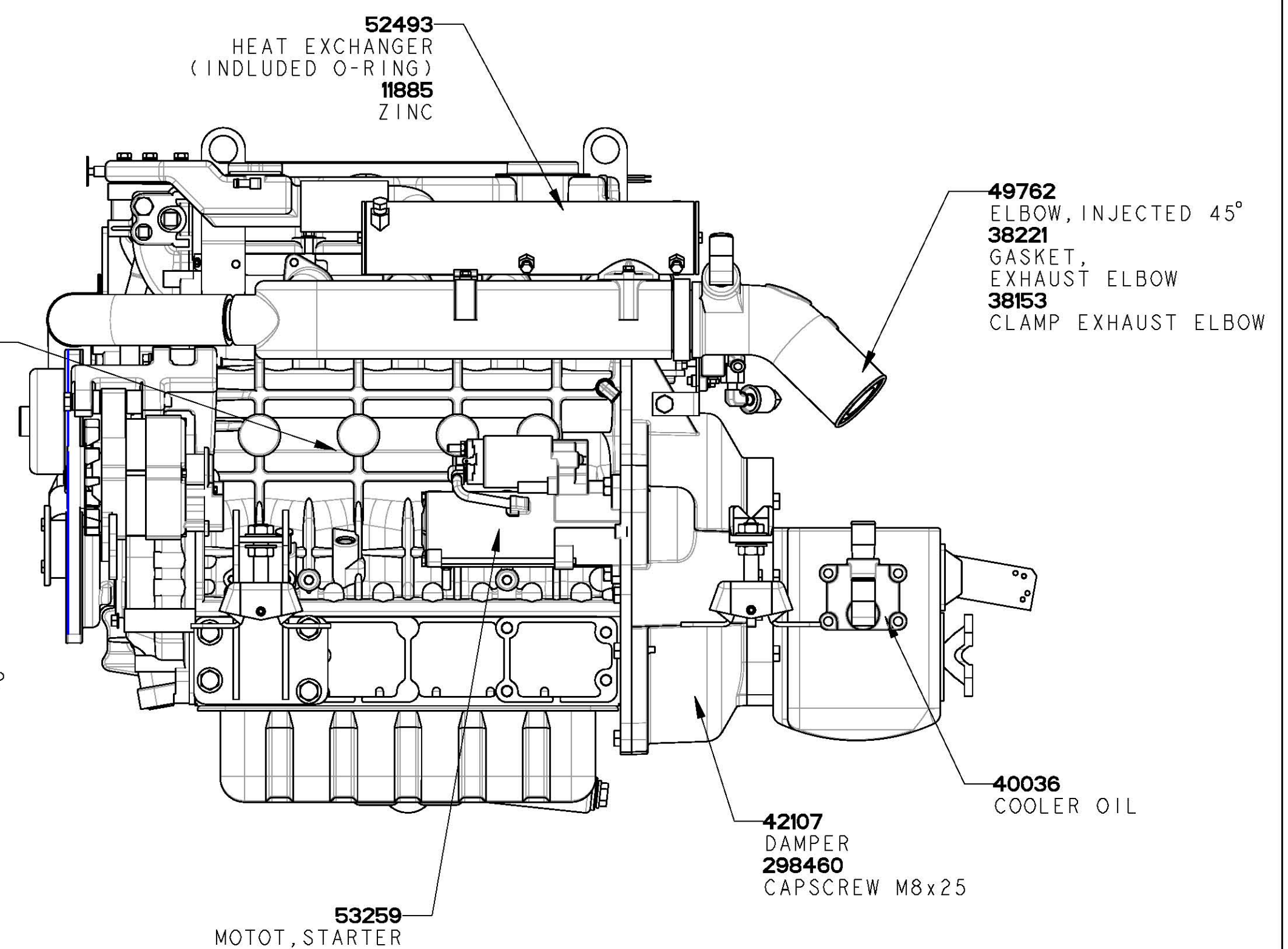
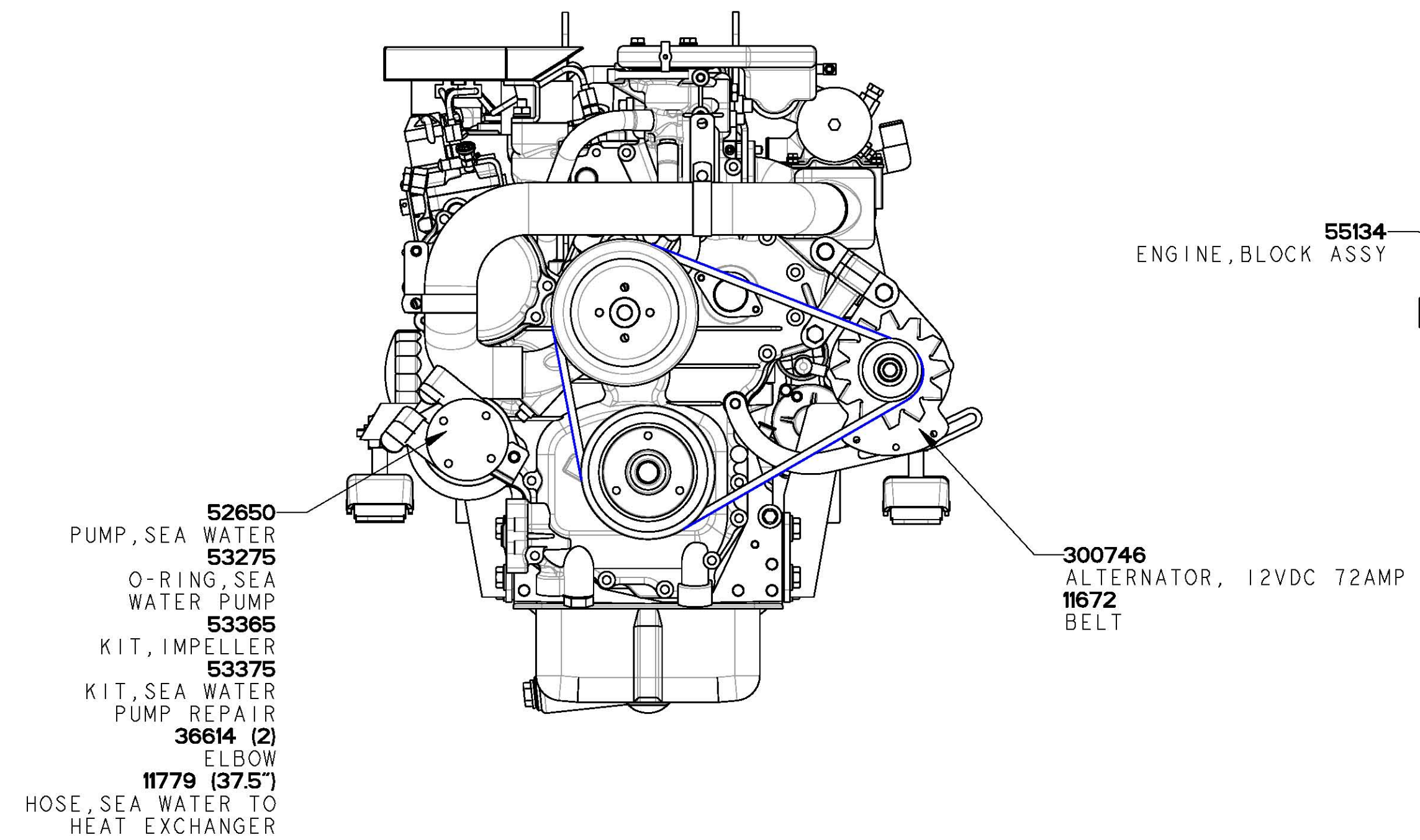
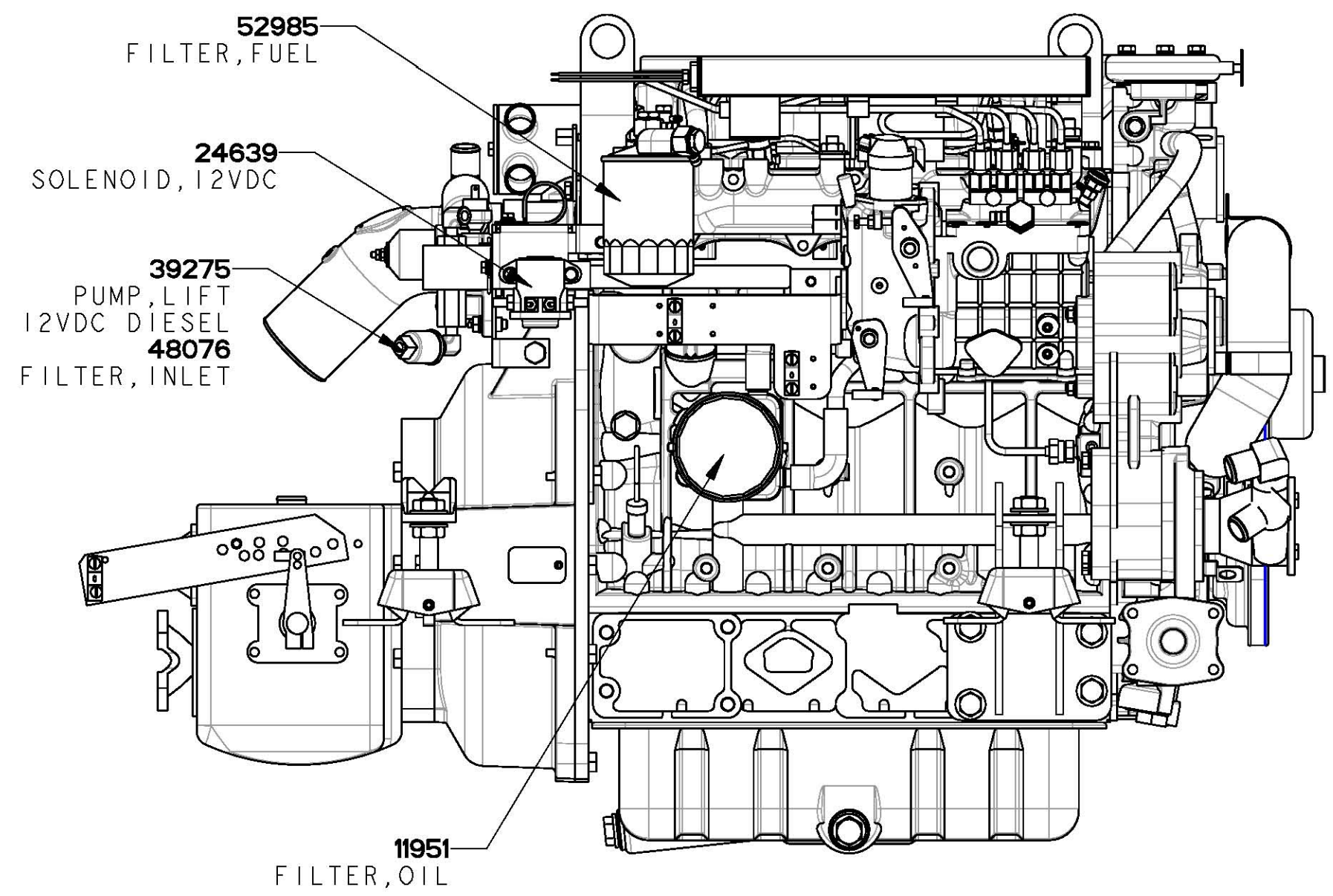
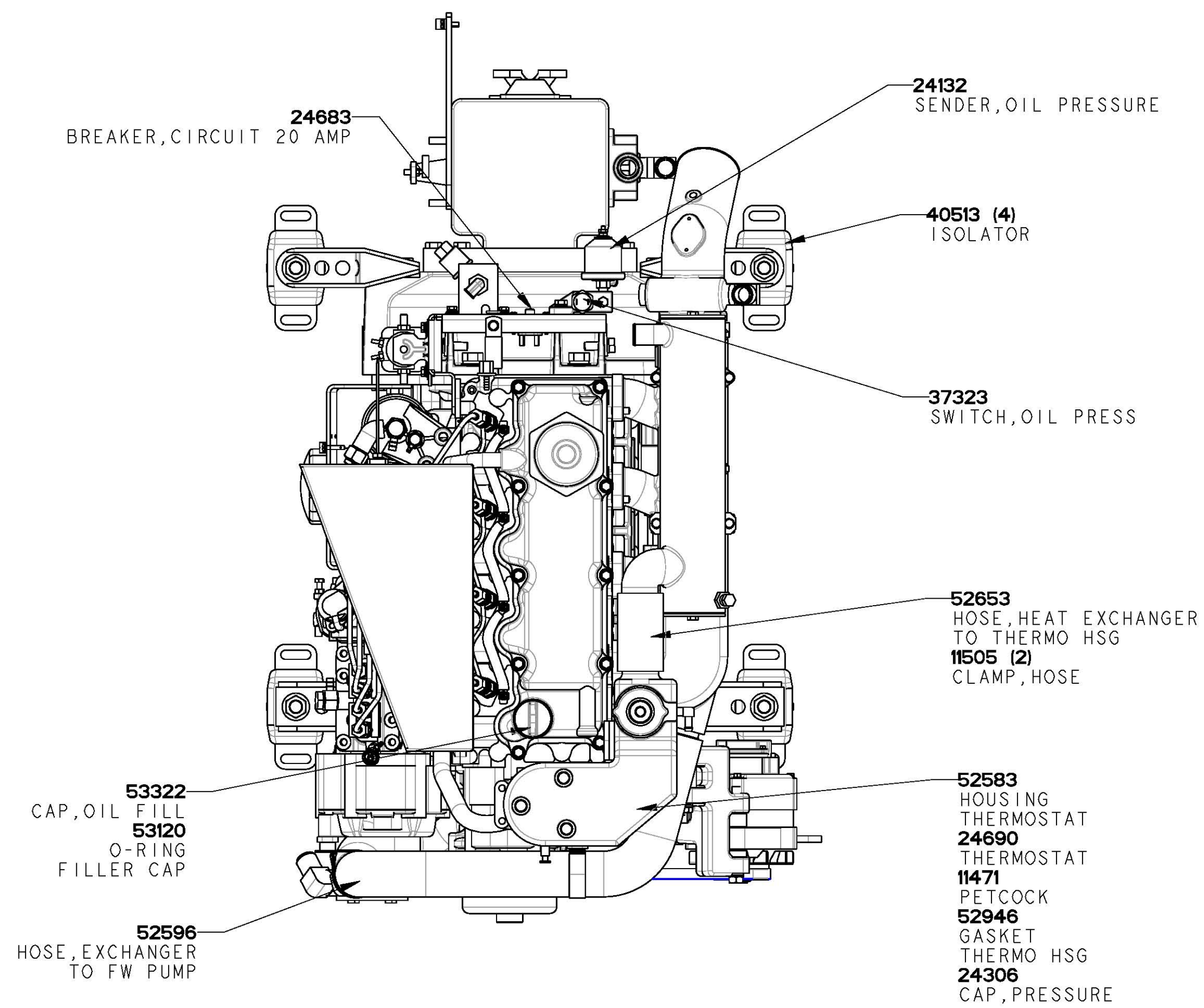


ECO NO.	DATE	REV.	REVISION RECORD	AUTH.	DR. BY
6550	8-12 2008	A	RELEASE TO PRODUCTION.		GA
6804	7-27 2011	B	ADD MODEL 65B		GA



PART NOT SHOWN
54029 HARNESS, MARINE 65A

TOLERANCES (UNLESS OTHERWISE NOTED)		WESTERBEKE CORPORATION TAUNTON, MA. 02780	
INCHES	MILLIMETERS	TITLE	
.XX : .02	.X : ± 1.0	DGPARTS 65A/65B FOUR	
.XXX : .005	.X : ± .5	DRAWN BY GA DATE 06/Oct/08 MATERIAL:	
CAST : .03	.XX : ± .13	APPROVED BY DATE	
ANGLES: 5°		SCALE 0.200 SIZE DRAWING NUMBER REV.	
FINISH: 83		SHT. 1 OF 1 D 54222 B	