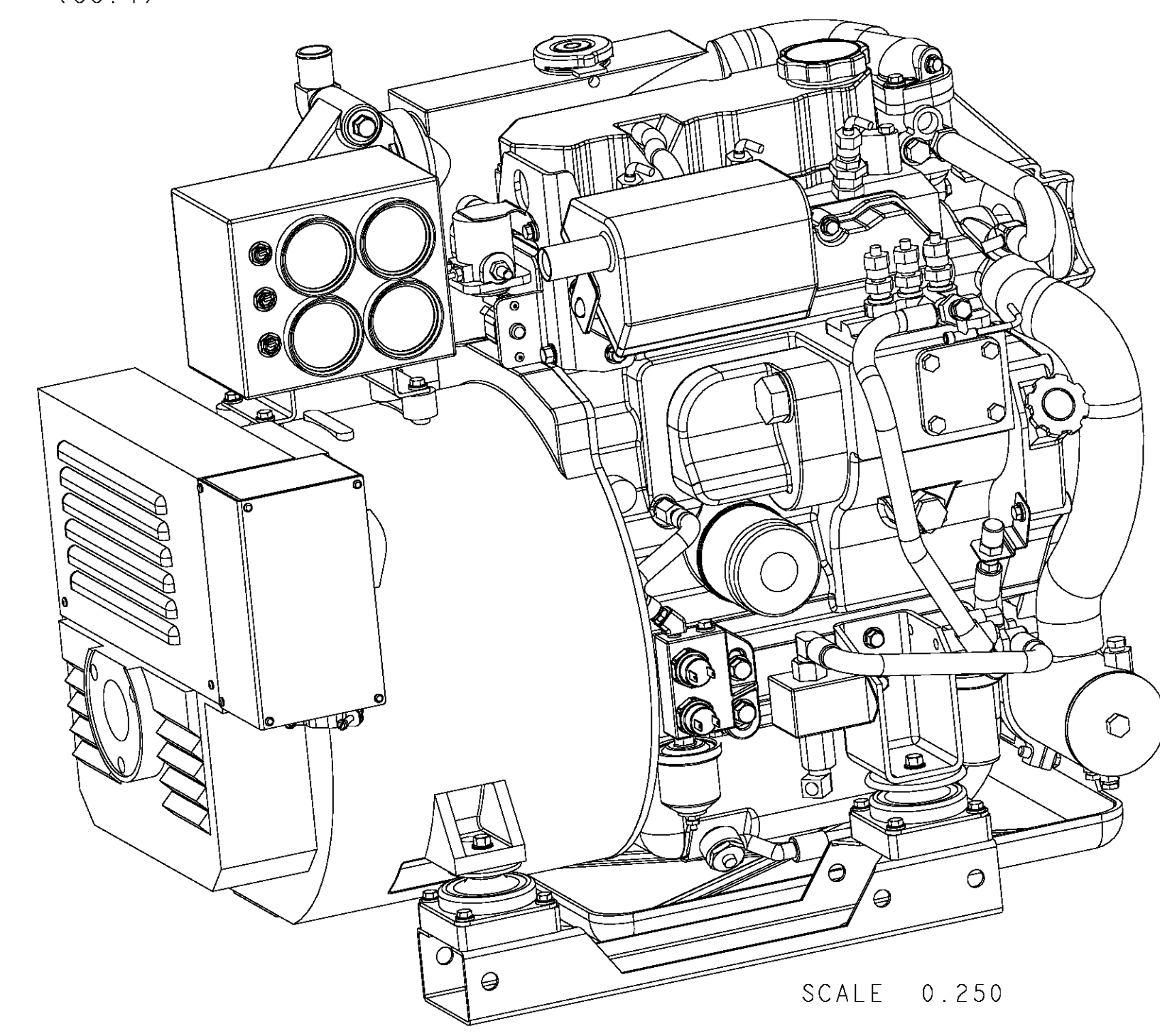
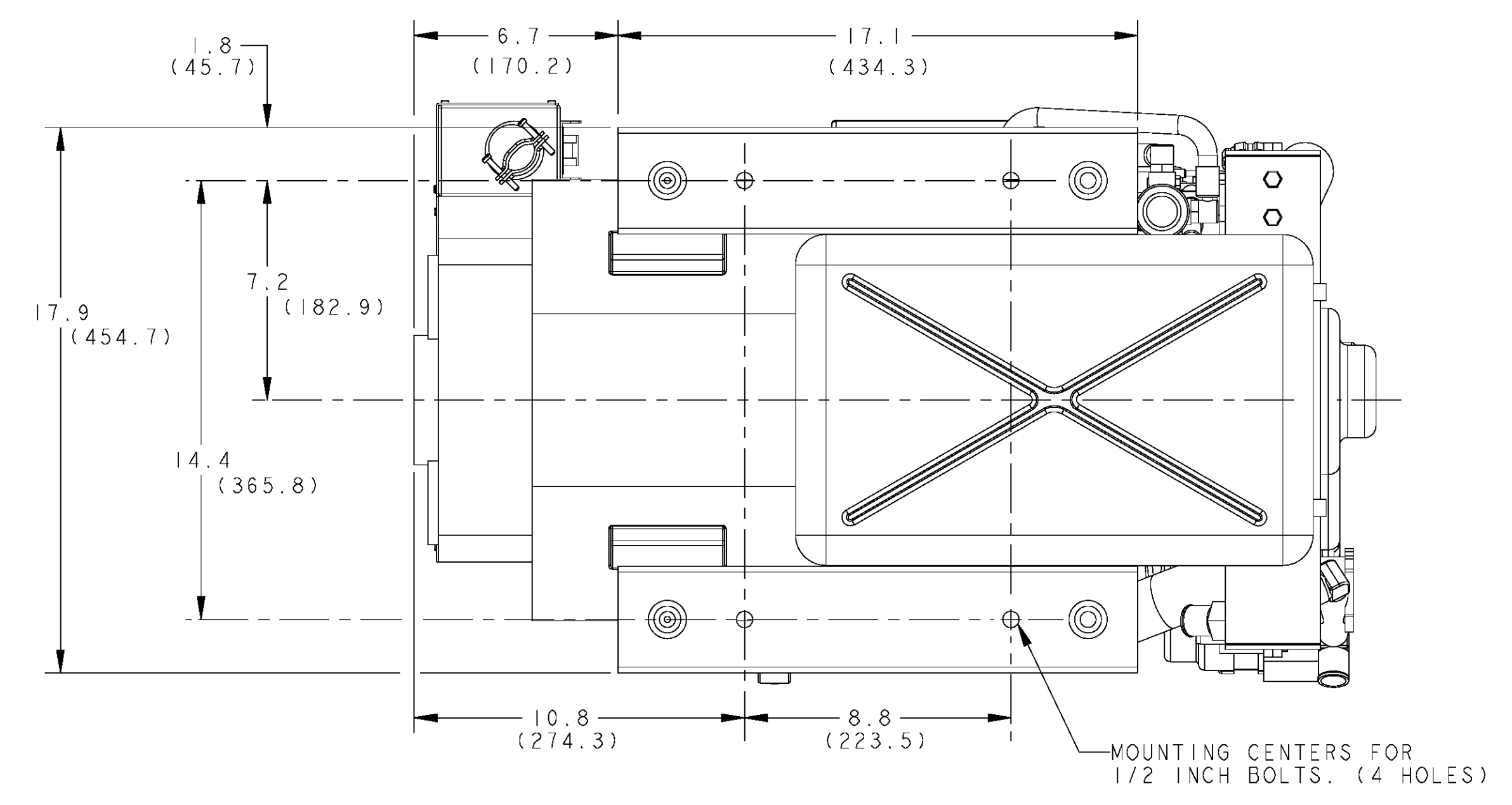
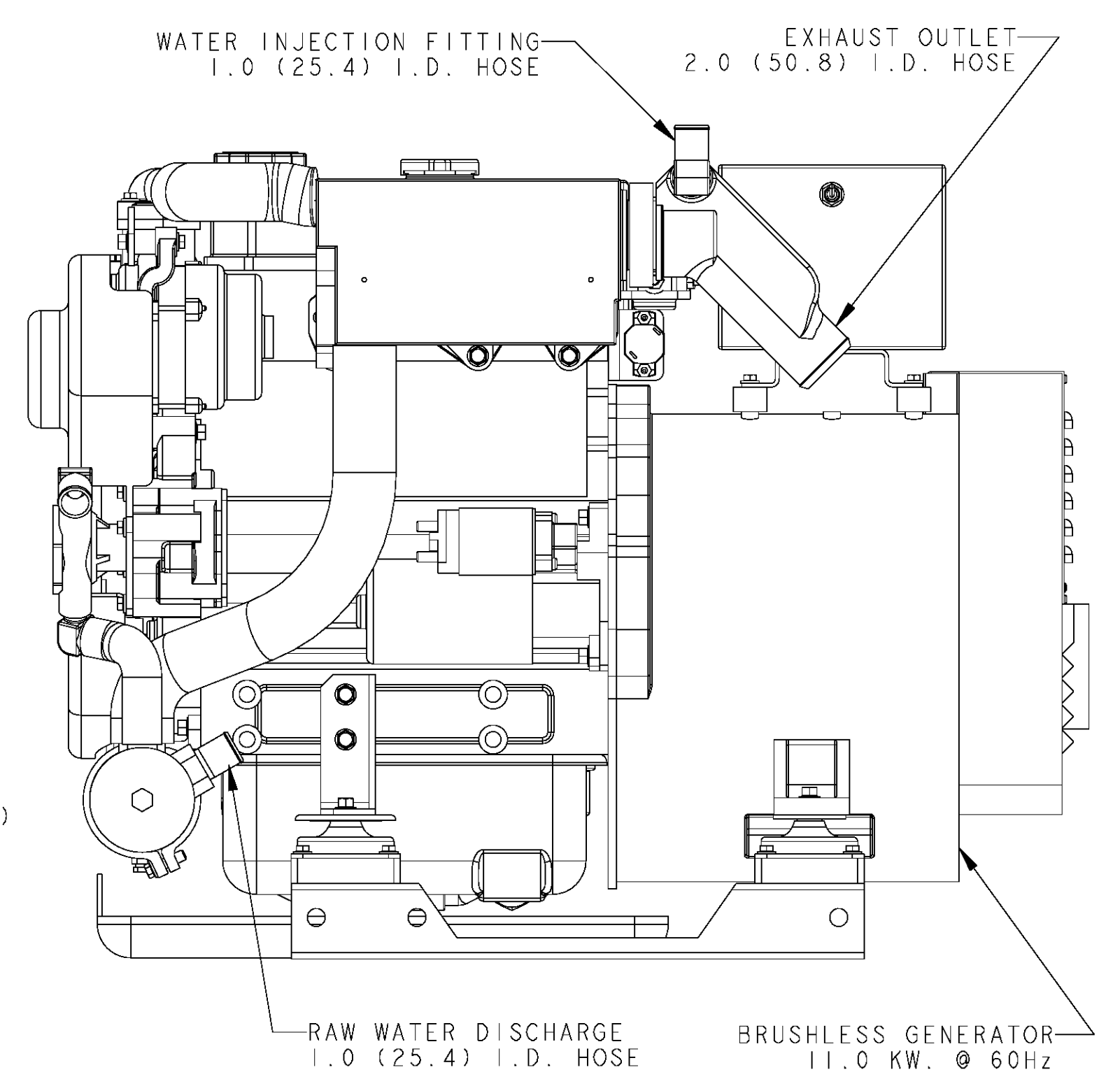
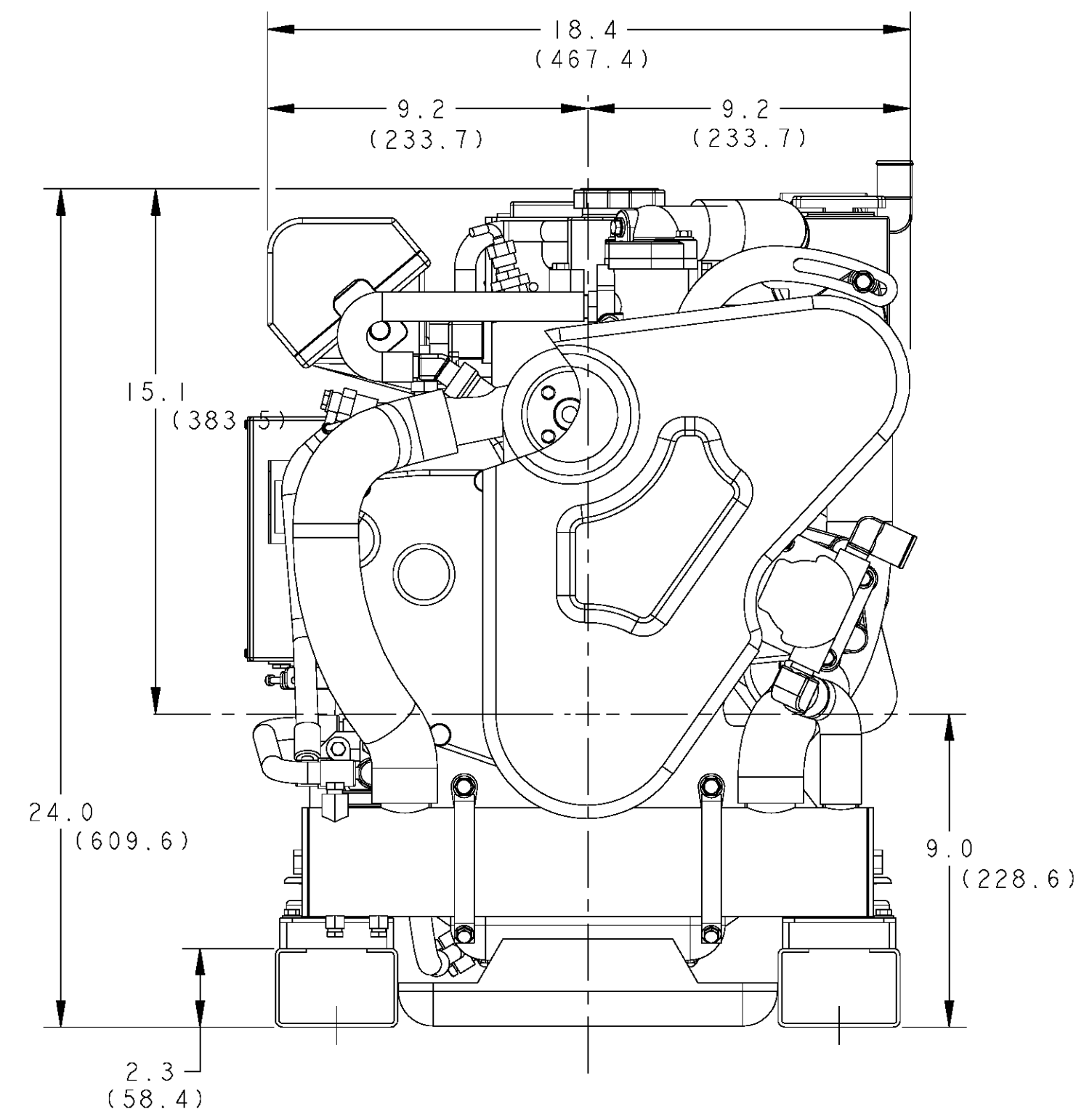
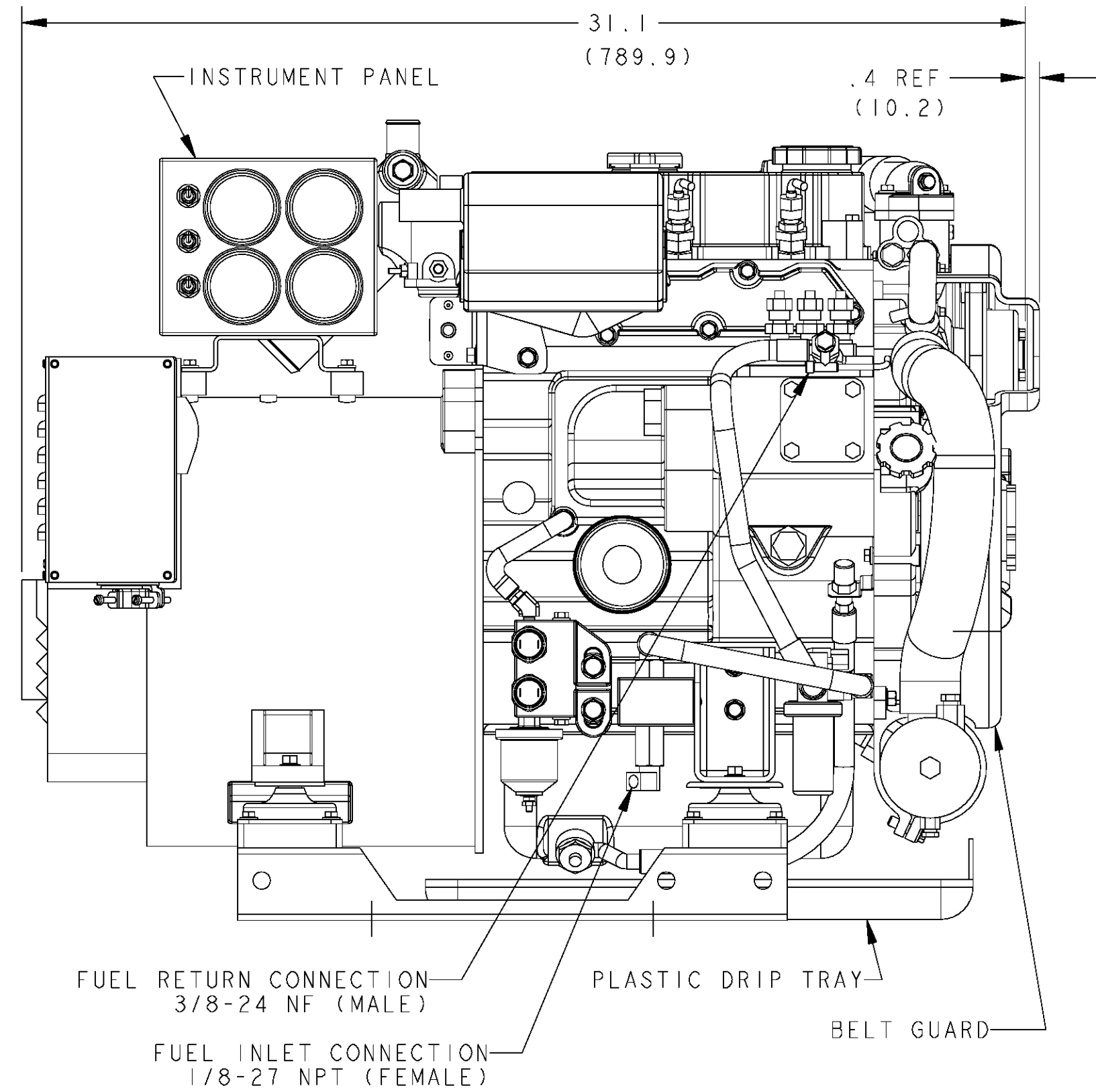
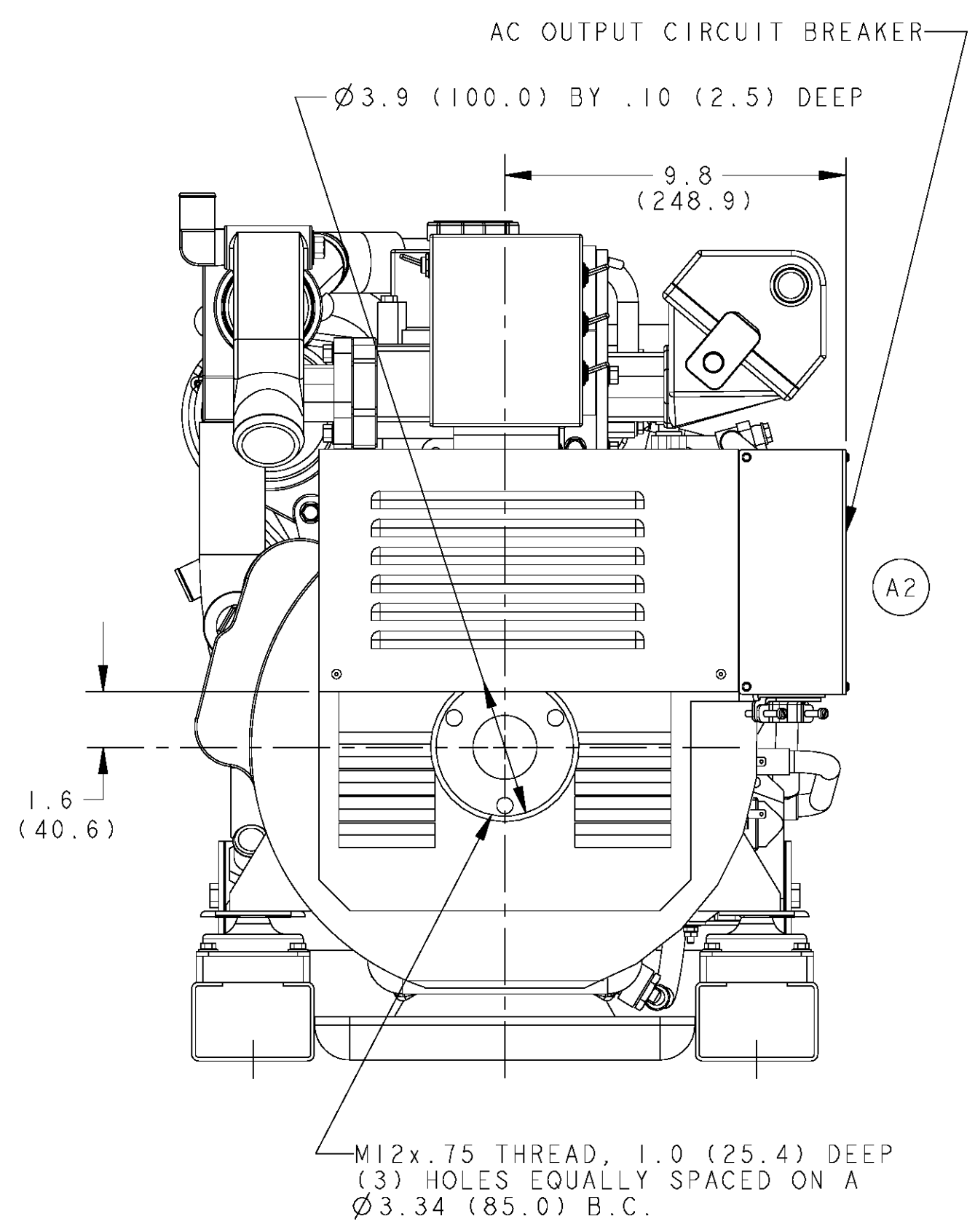
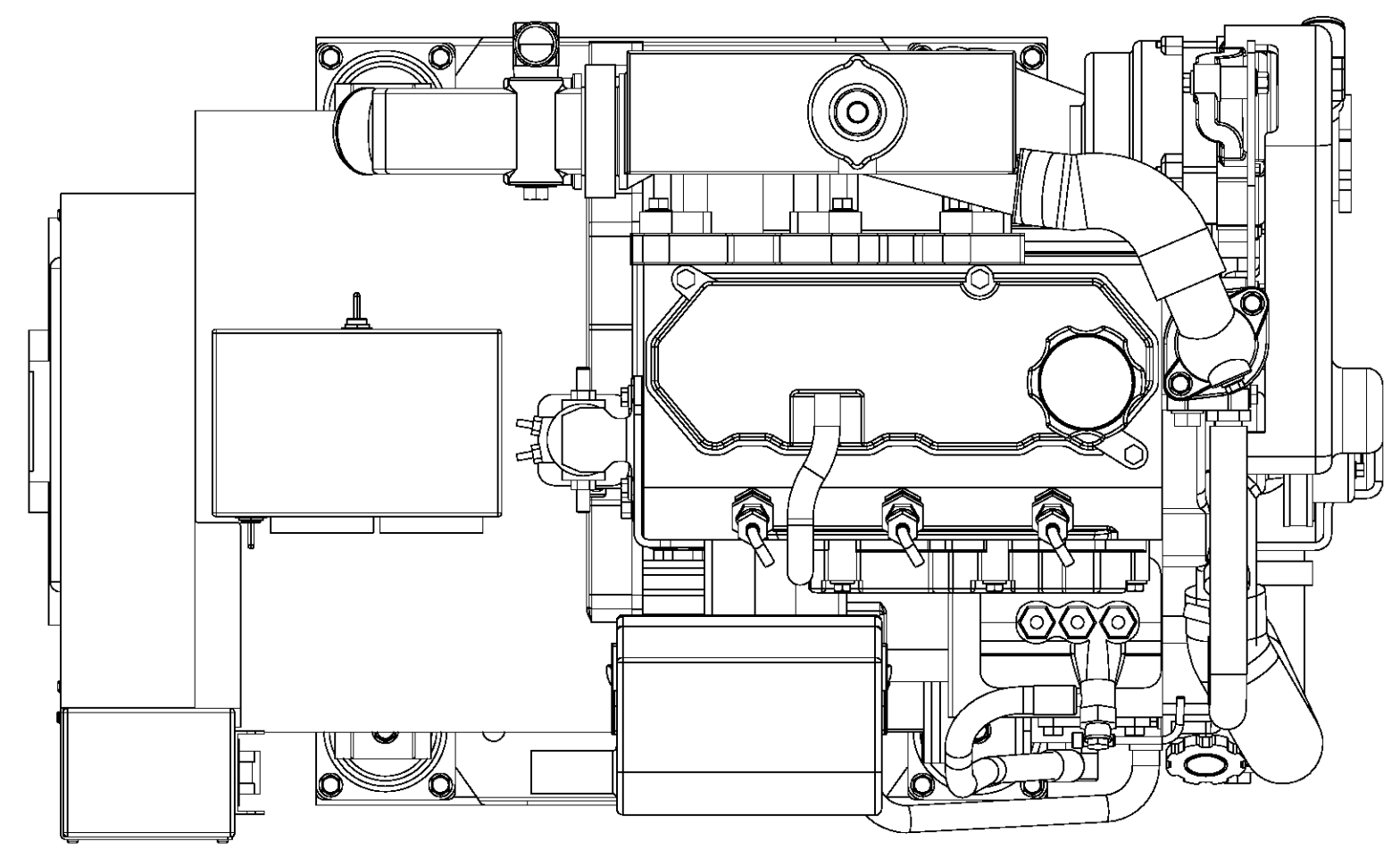


ECO NO.	DATE	REV.	REVISION RECORD	AUTH.	DR. BY
4364	1-11-2000	A	1. MODEL NUMBER 10 BTDA WAS 11 BTDA 2. REVISED BREAKER BOX MOUNTING		JM



MODEL WITH 50 AMP ALTERNATOR

TOLERANCES (UNLESS OTHERWISE NOTED)		WESTERBEKE CORPORATION AVON MA. 02322	
INCHES	MILLIMETERS	TITLE	
.XX : .02	X. :	INSTALLATION DRAWING (A1)	
.XXX : .005	.X :	10 KW. BTDA	
CAST : .03	.XX :	DRAWN BY JM DATE 9-18-99 MATERIAL:	
ANGLES : .5°		APPROVED BY DATE	
FINISH		SCALE 1/4 SIZE D DRAWING NUMBER 44197 REV. A	
(WHEN APPLICABLE)		SHT. 1 OF 1	