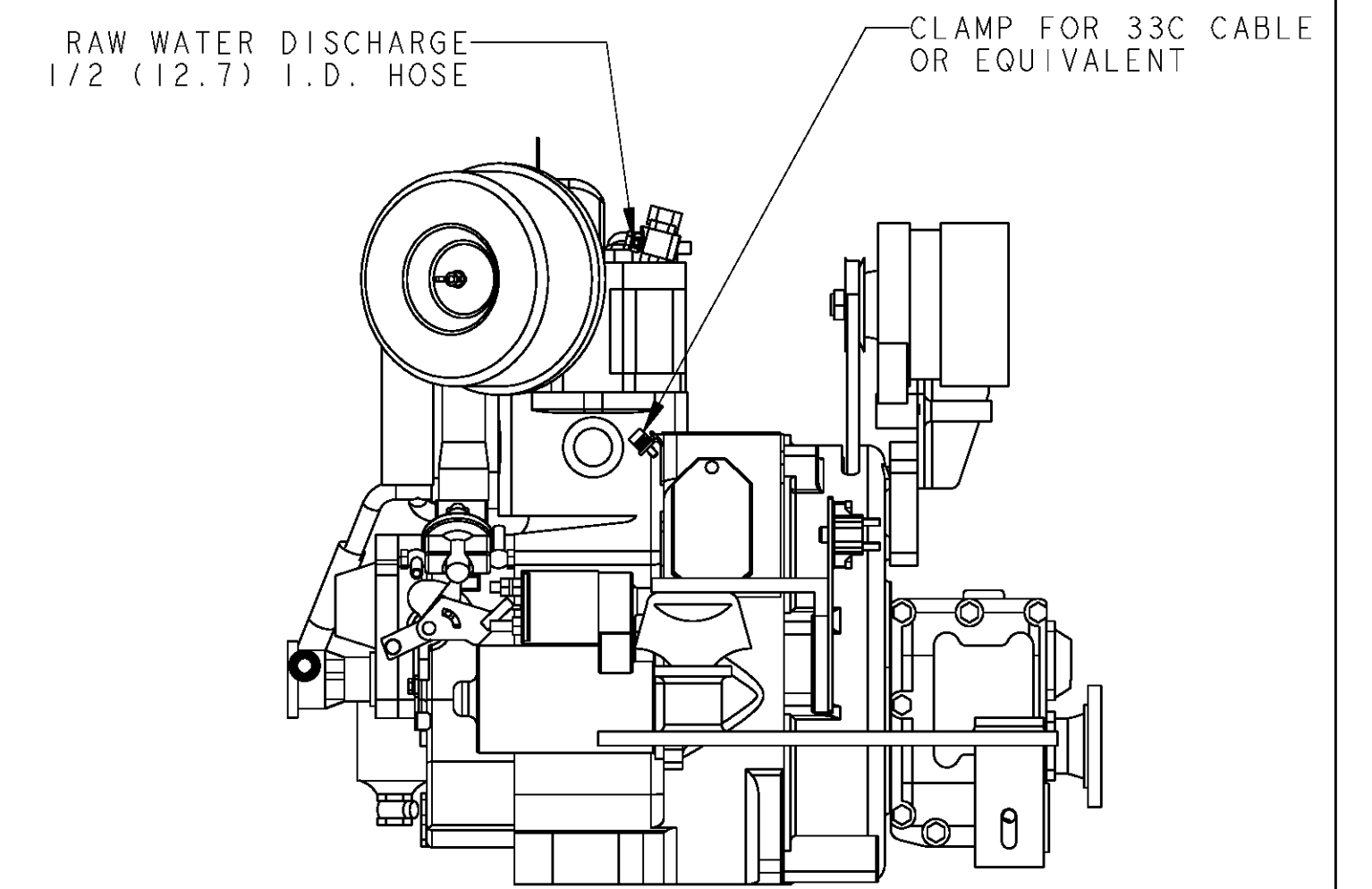
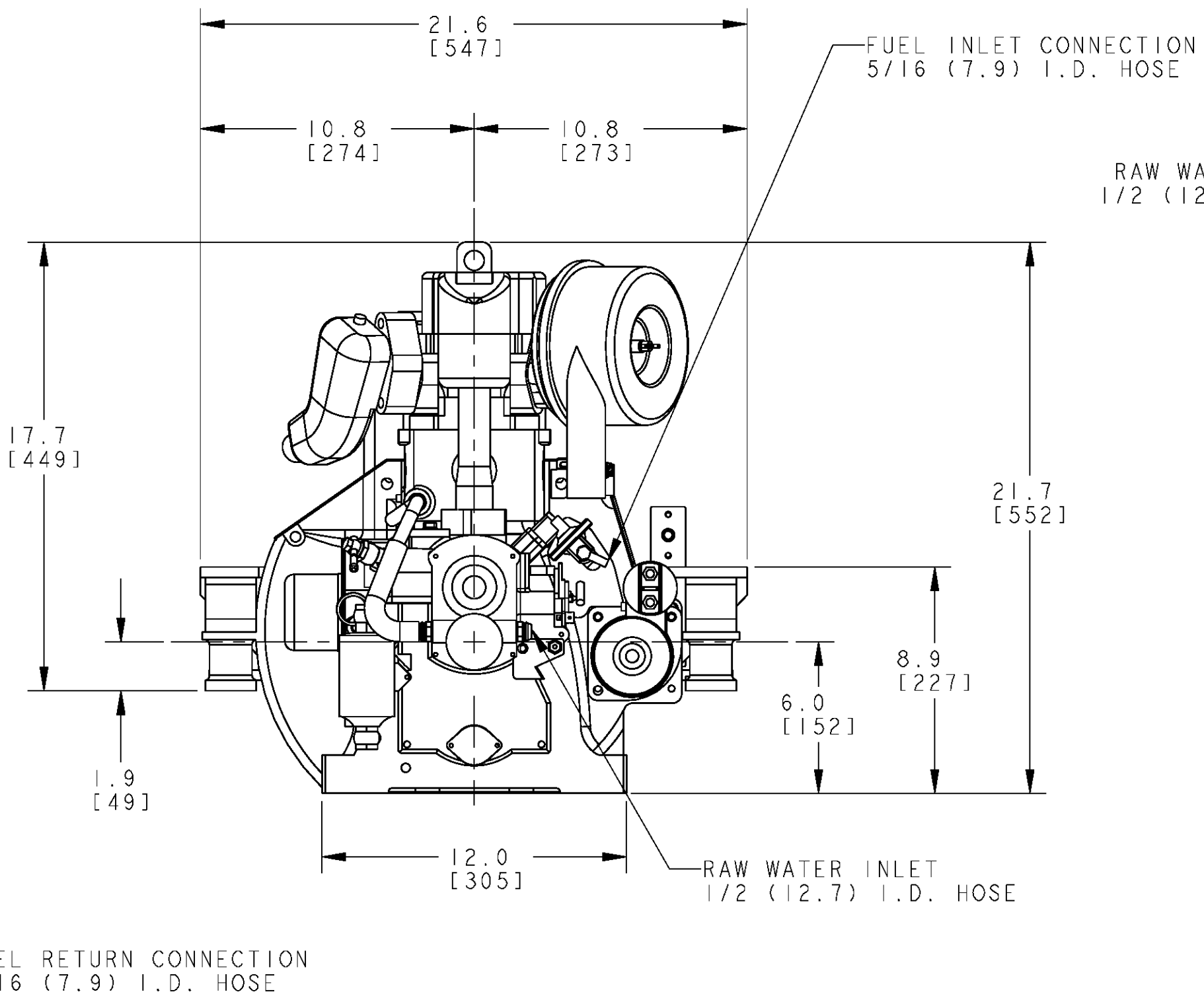
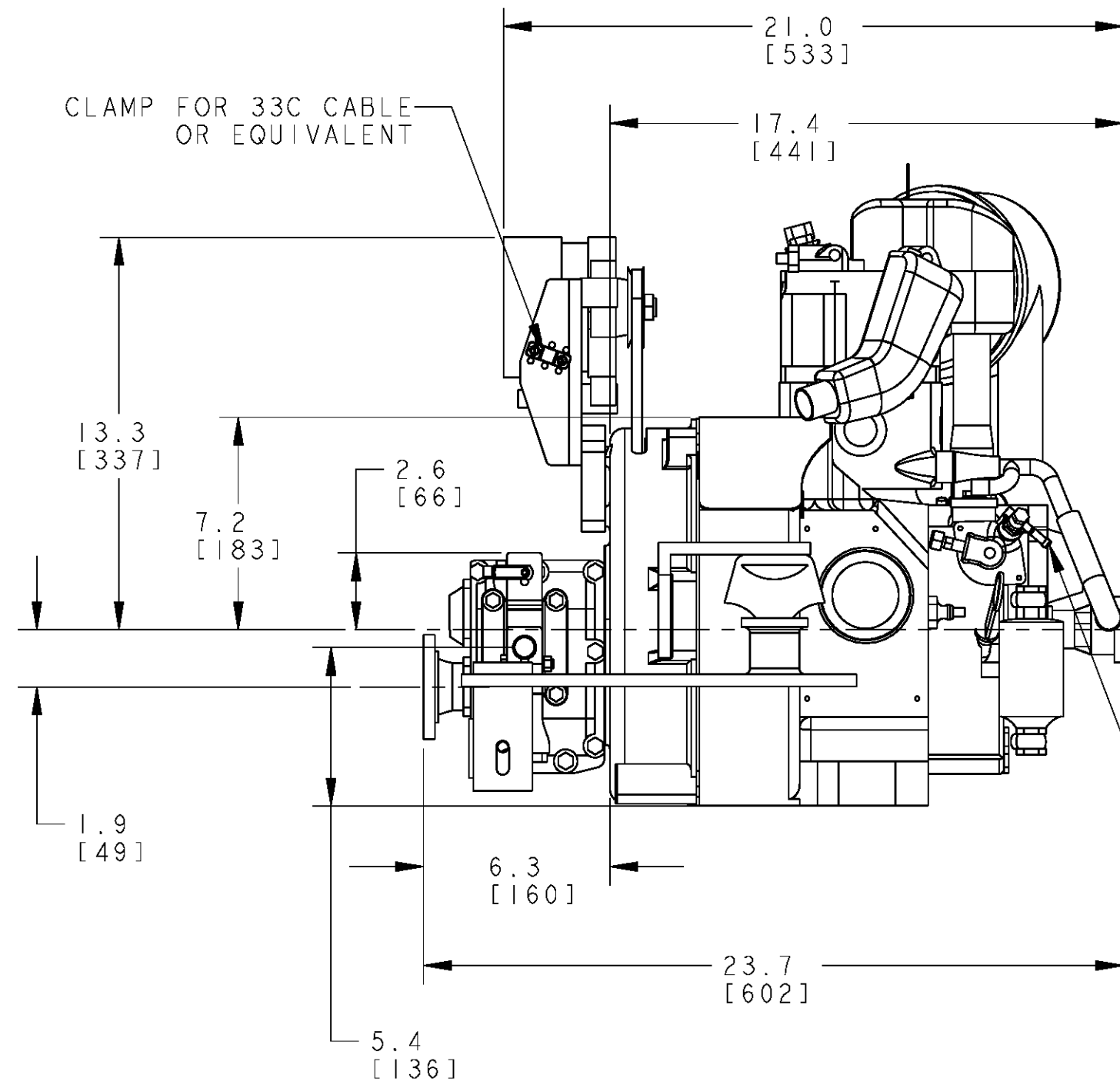
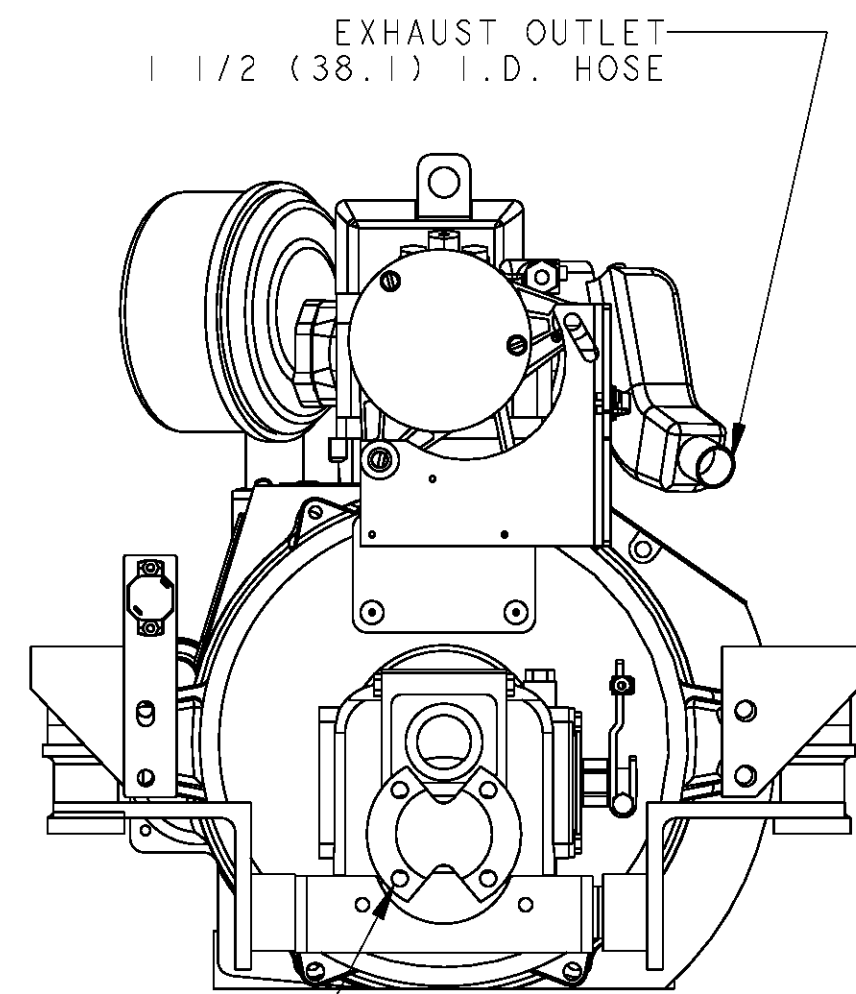
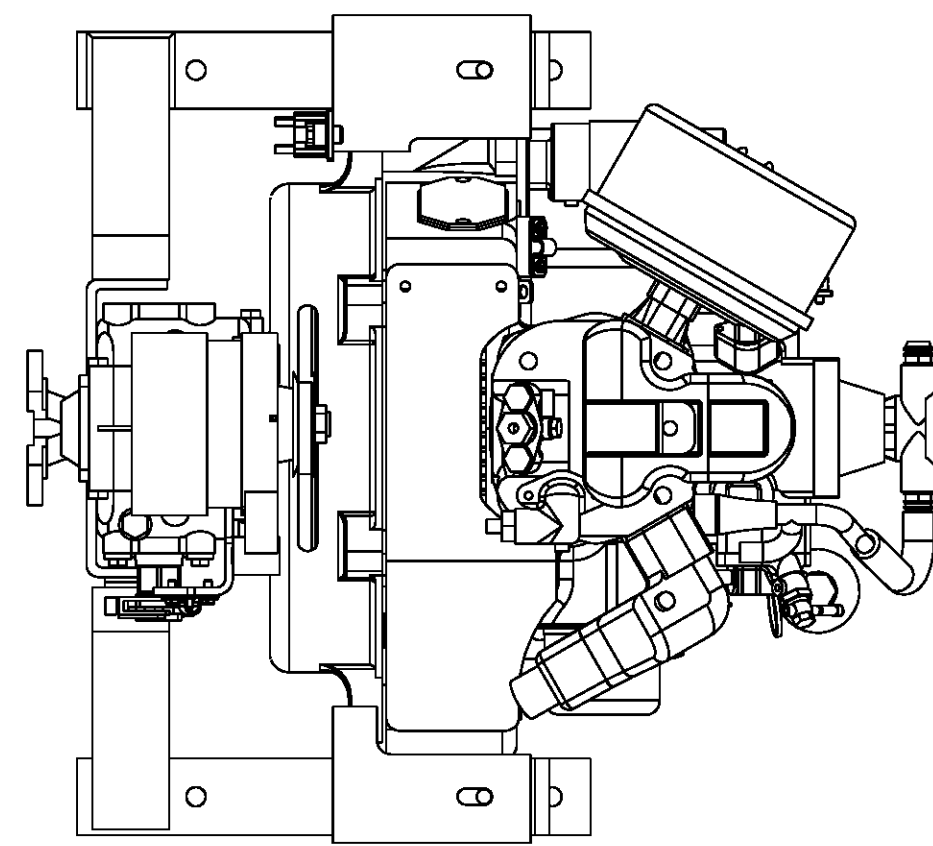
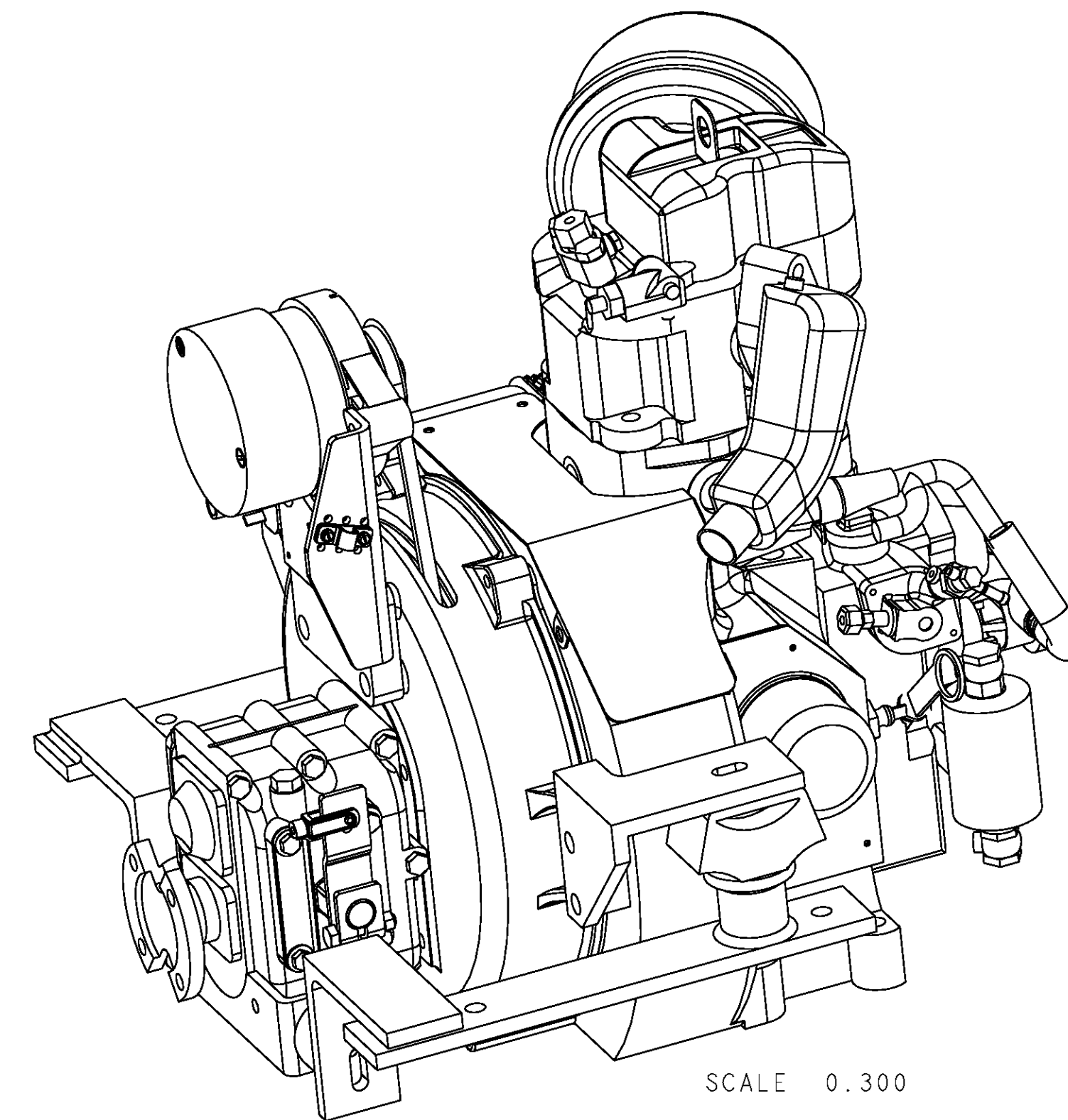
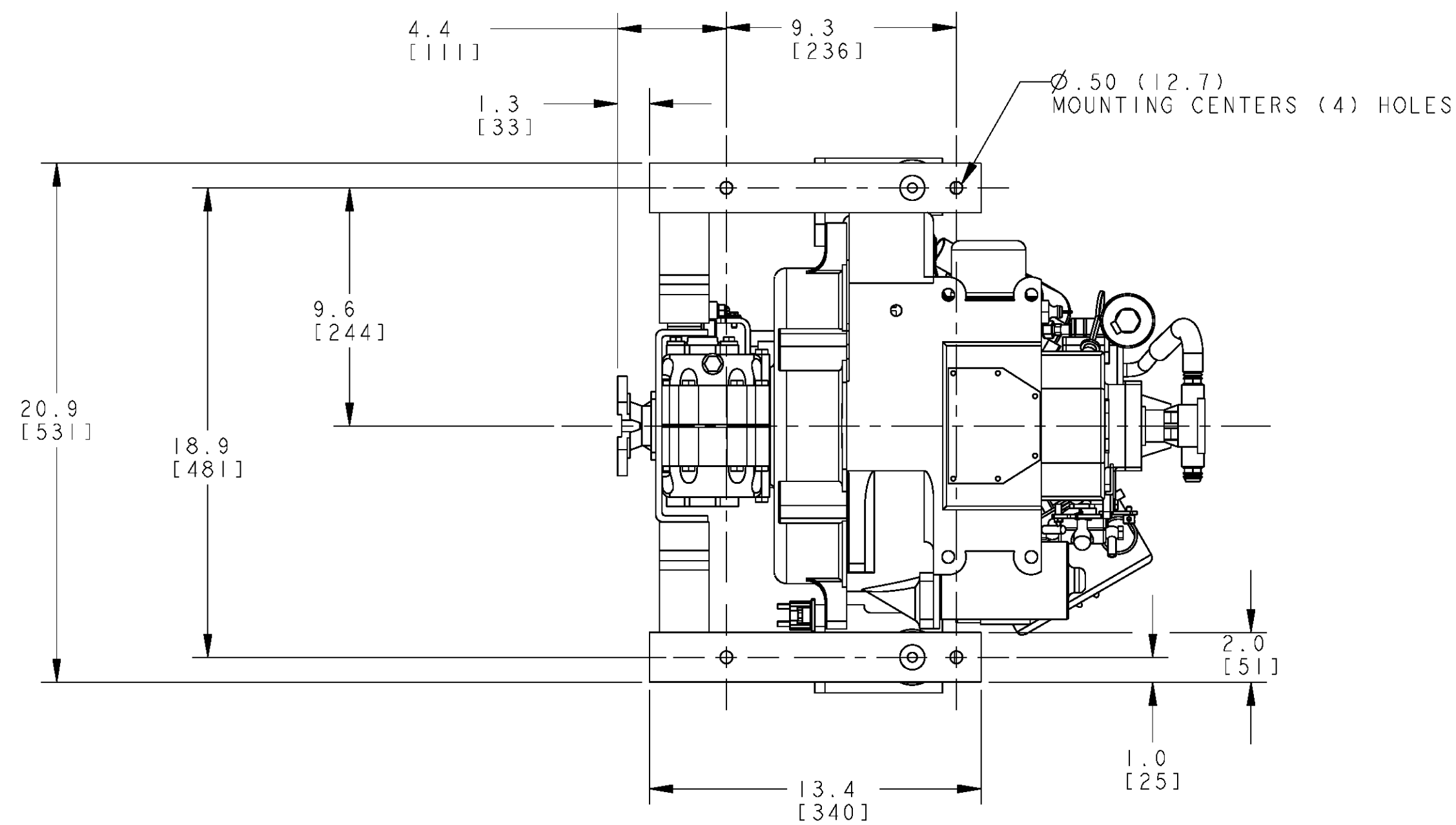


ECO NO.	DATE	REV.	REVISION RECORD	AUTH.	DR. BY
-	8/6 81	A	CHANGED TITLE 10A-1 TO 11A-1.		TSM



Ø.41 (10.5) THRU (4) HOLES EQUALLY  
SPACED ON A 3.25 (82.5) Ø B.C.



TOLERANCES (UNLESS OTHERWISE NOTED)		WESTERBEKE CORPORATION AVON MA. 02322	
INCHES	MILLIMETERS	TITLE	
.XX : .02	X :	INSTALLATION DRAWING	
.XXX : .005	.X :	11A ONE WITH HBW 40 TRANSMISSION (A)	
CAST : .03	.XX :	DRAWN BY	DATE
FINISH : 8		CHRIS SABINA	10/06/00
DIMENSIONS		APPROVED BY	DATE
INCHES			
MILLIMETERS		SCALE 0.200	SIZE
(WHEN APPLICABLE)		SHT. 1 OF 1	DRAWING NUMBER
		D	44923
			REV. A