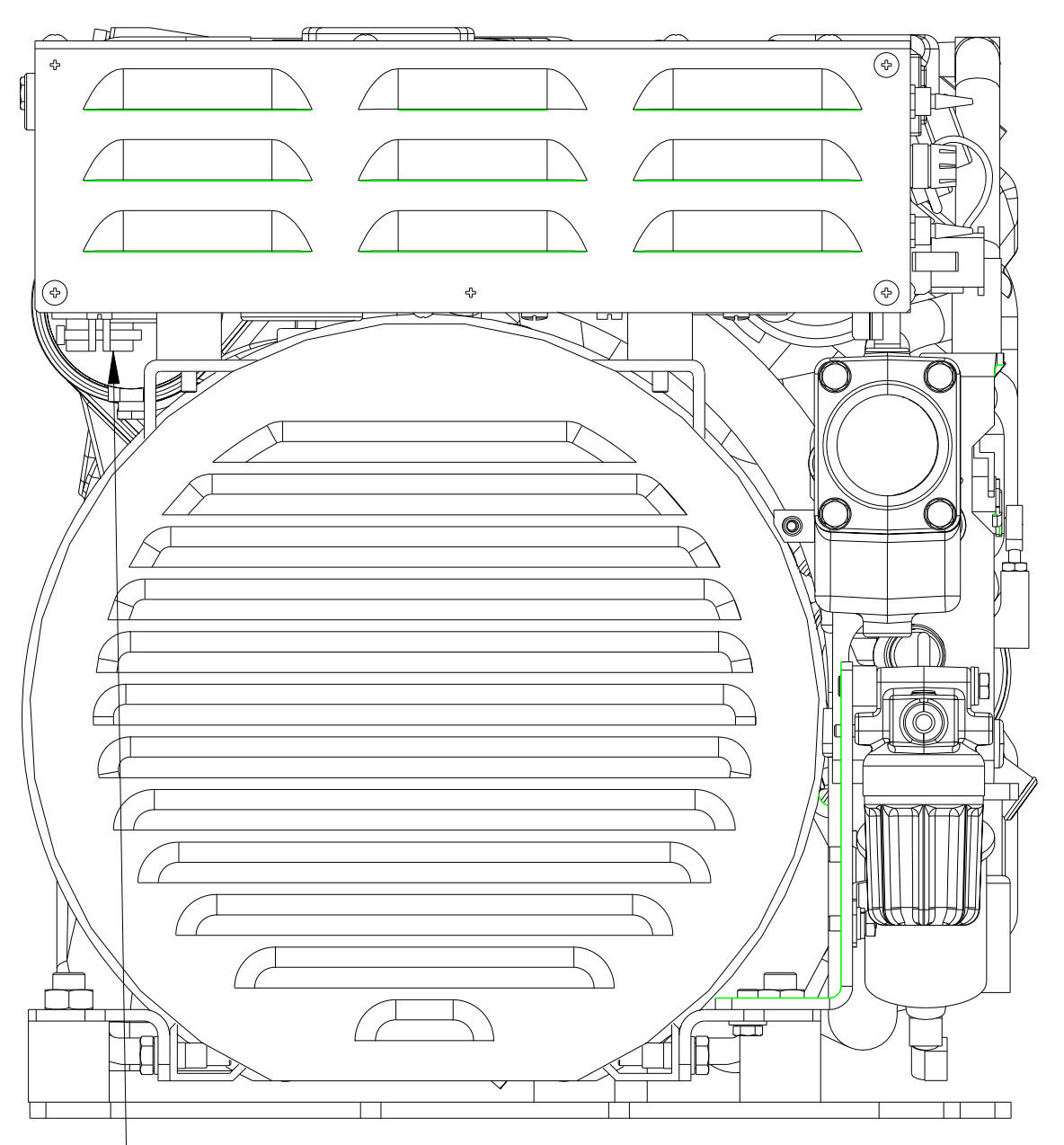
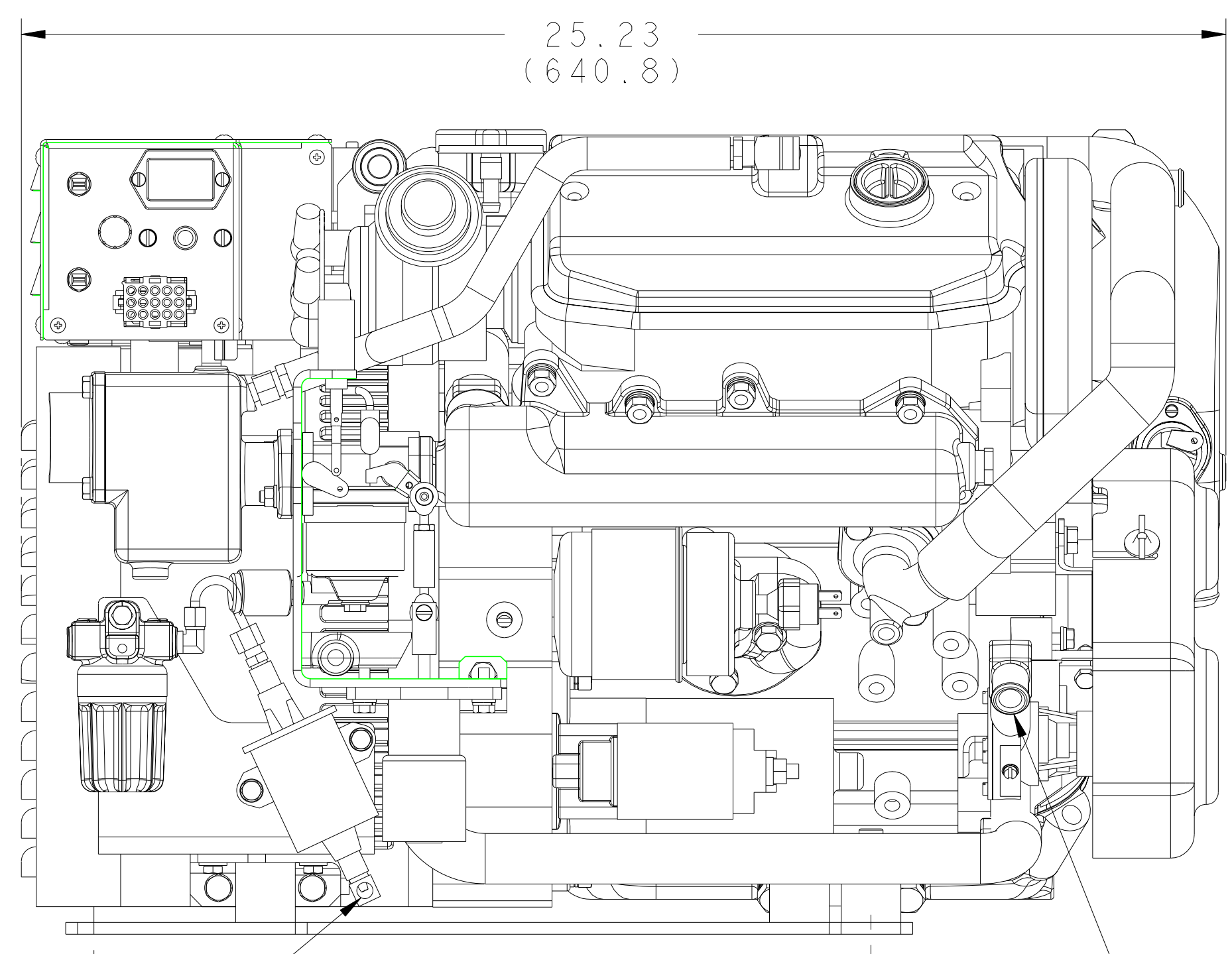


SCALE 0.250

SCALE 0.250

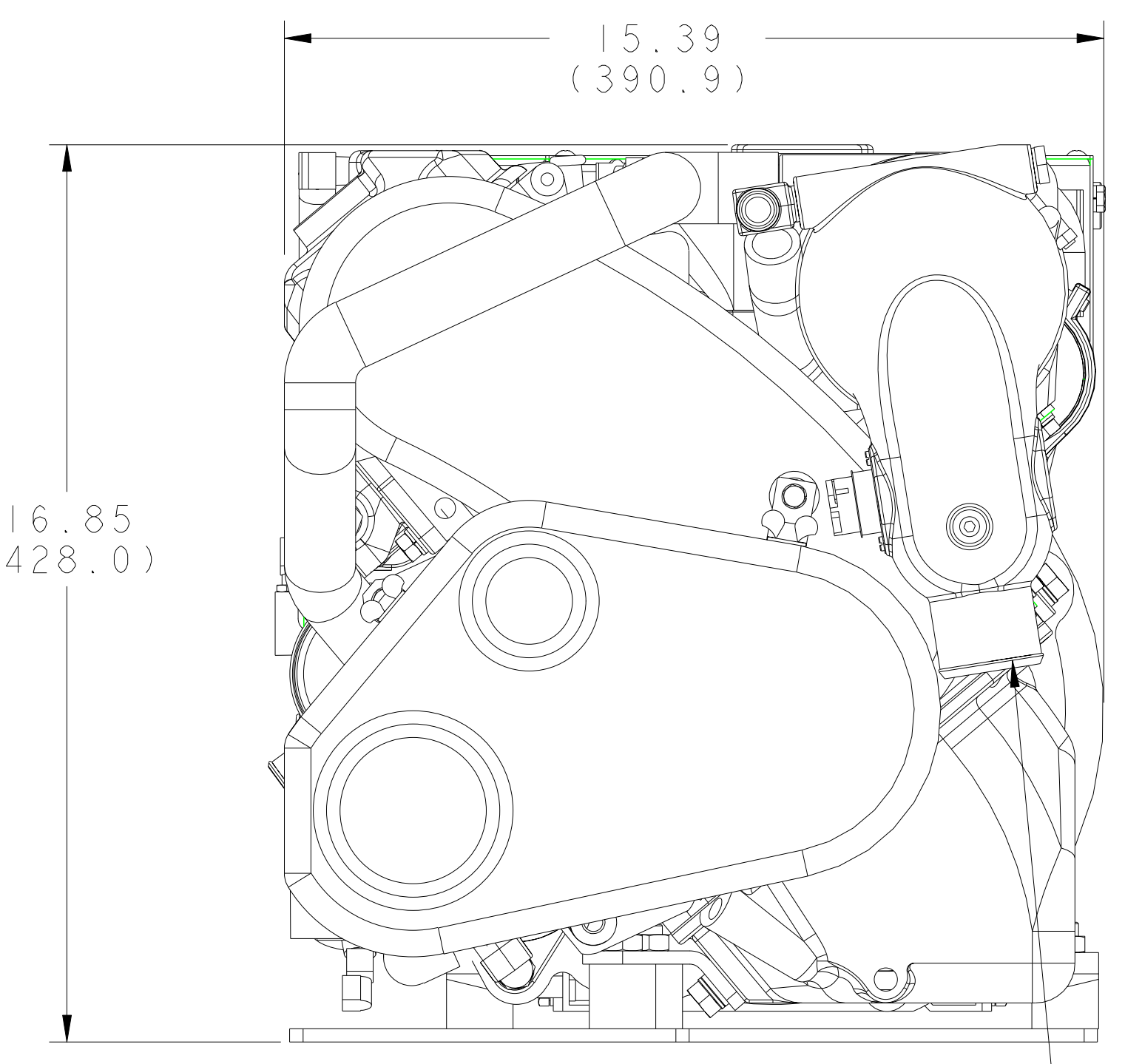


A.C. CONNECTION WIRING OUTLET



25.23  
(640.8)

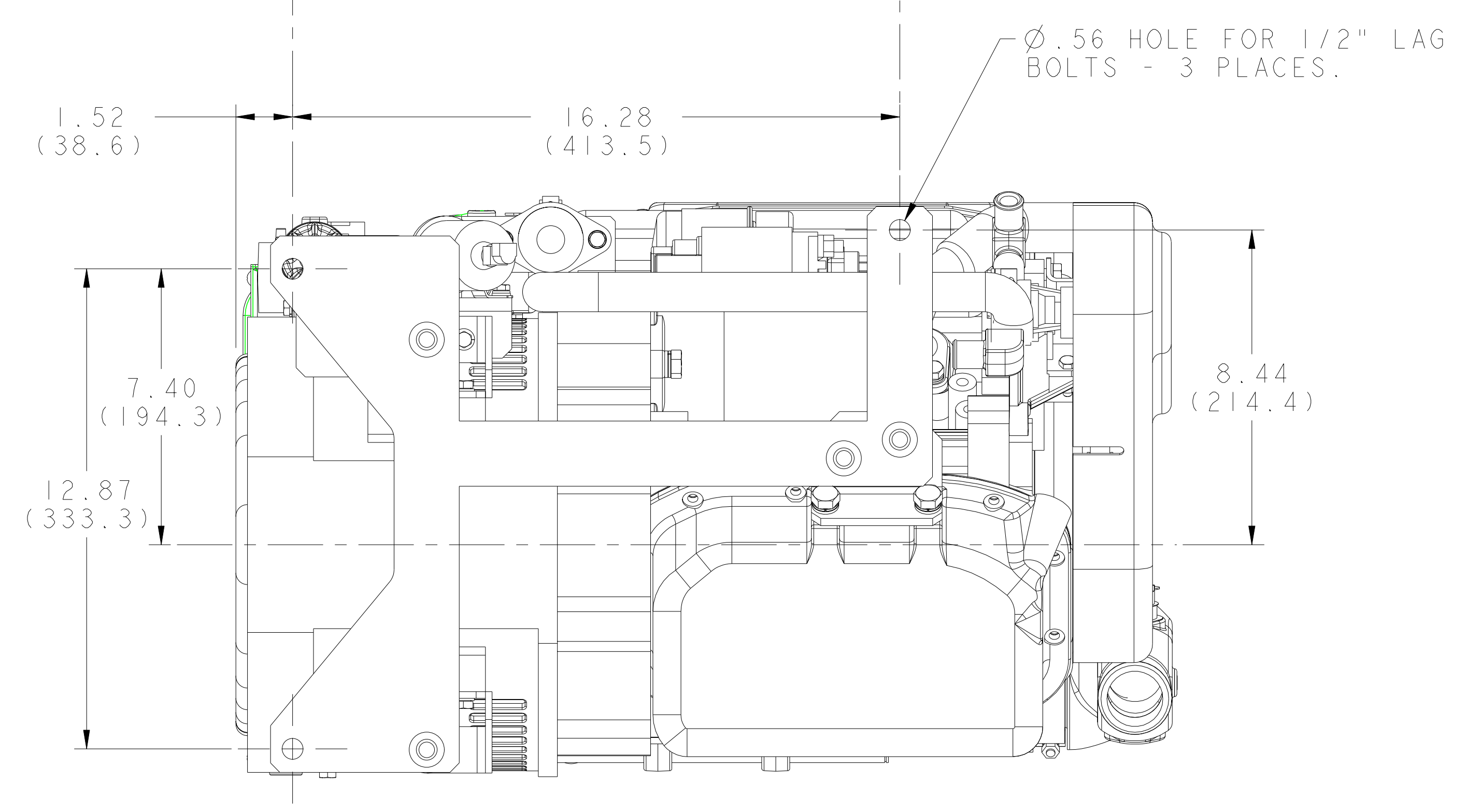
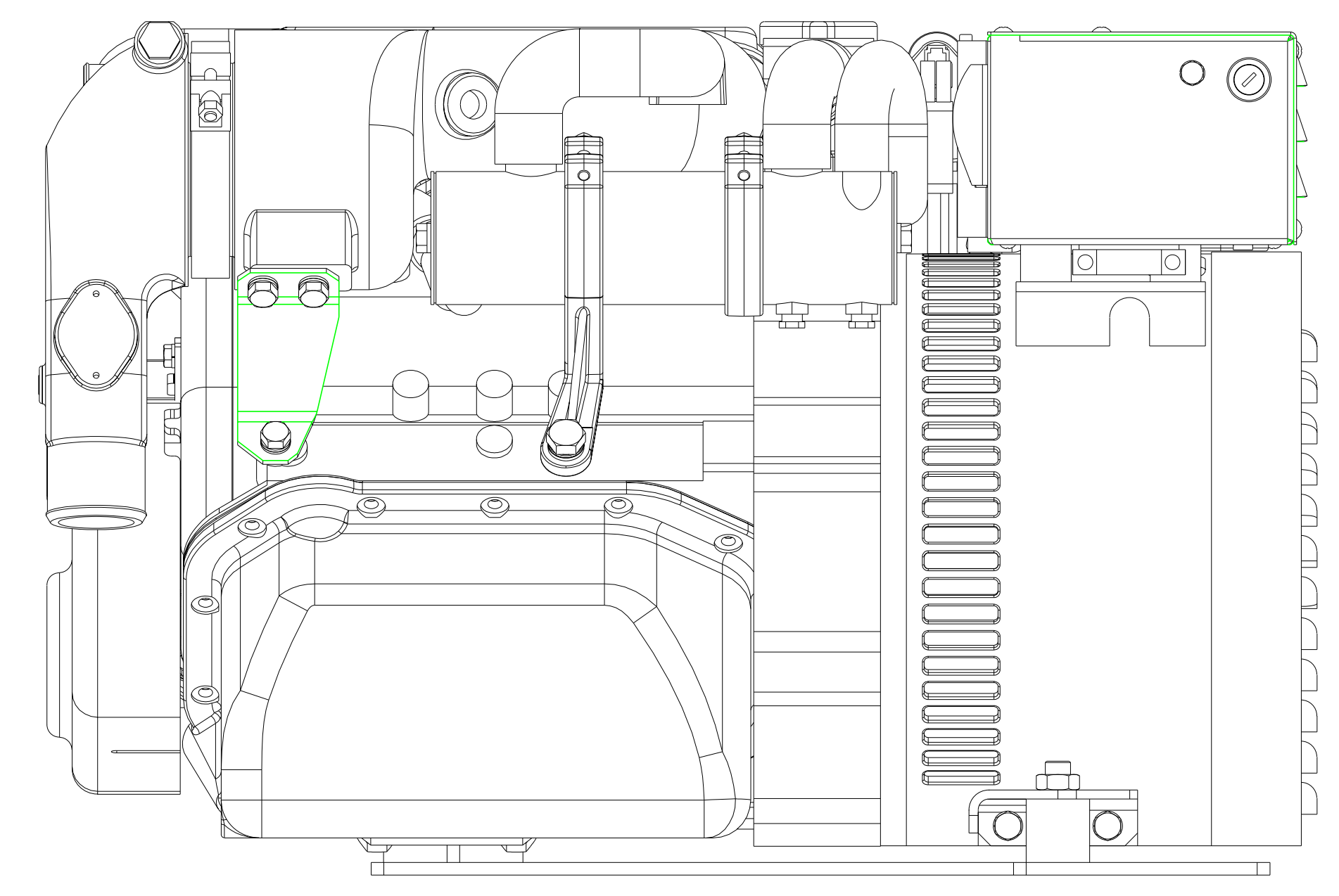
CUSTOMER FUEL CONNECTION  
1/8-27 NPT FEMALE



15.39  
(390.9)

16.85  
(428.0)

EXHAUST OUTLET  
Ø2.00 I.D. HOSE



1.52  
(38.6)

16.28  
(413.5)

Ø.56 HOLE FOR 1/2" LAG BOLTS - 3 PLACES.

7.40  
(194.3)

12.87  
(333.3)

8.44  
(214.4)

NUMBERS IN BRACKETS ARE IN MILLIMETERS

TOLERANCES (UNLESS OTHERWISE NOTED)		WESTERBEKE CORPORATION TAUNTON MA 02780	
INCHES .XX : .02 .XXX : .005 CAST : .03 FINISH : S	MILLIMETERS X : .X : XX :	TITLE INSTALLATION DRAWING 5.0 KW BCG GENSET	MATERIAL: DATE: 1/10/01
DIMENSIONS INCHES MILLIMETERS (WHEN APPLICABLE)		APPROVED BY: SCALE 0.375 SHT. 1 OF 2	DATE: DRAWING NUMBER 46540