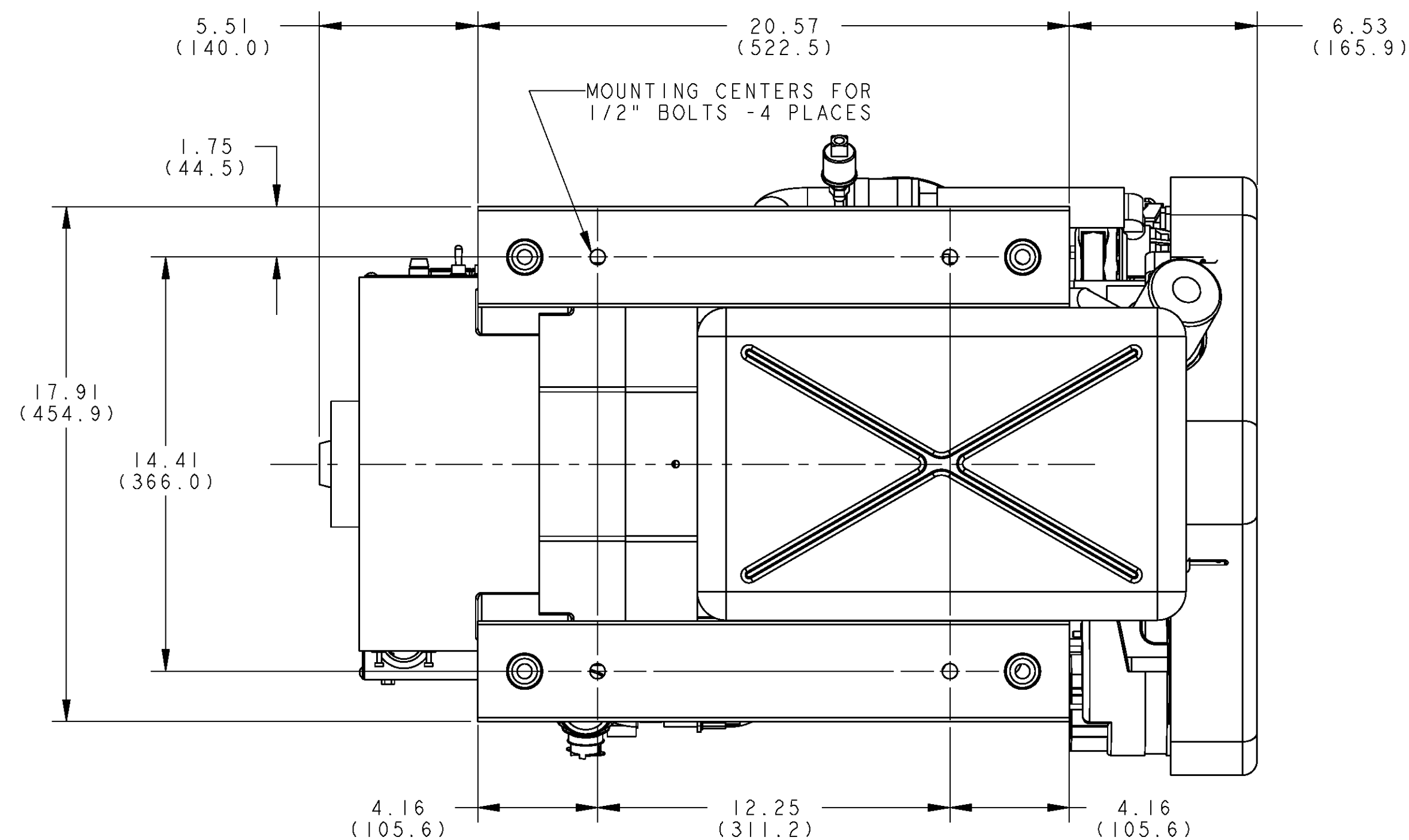
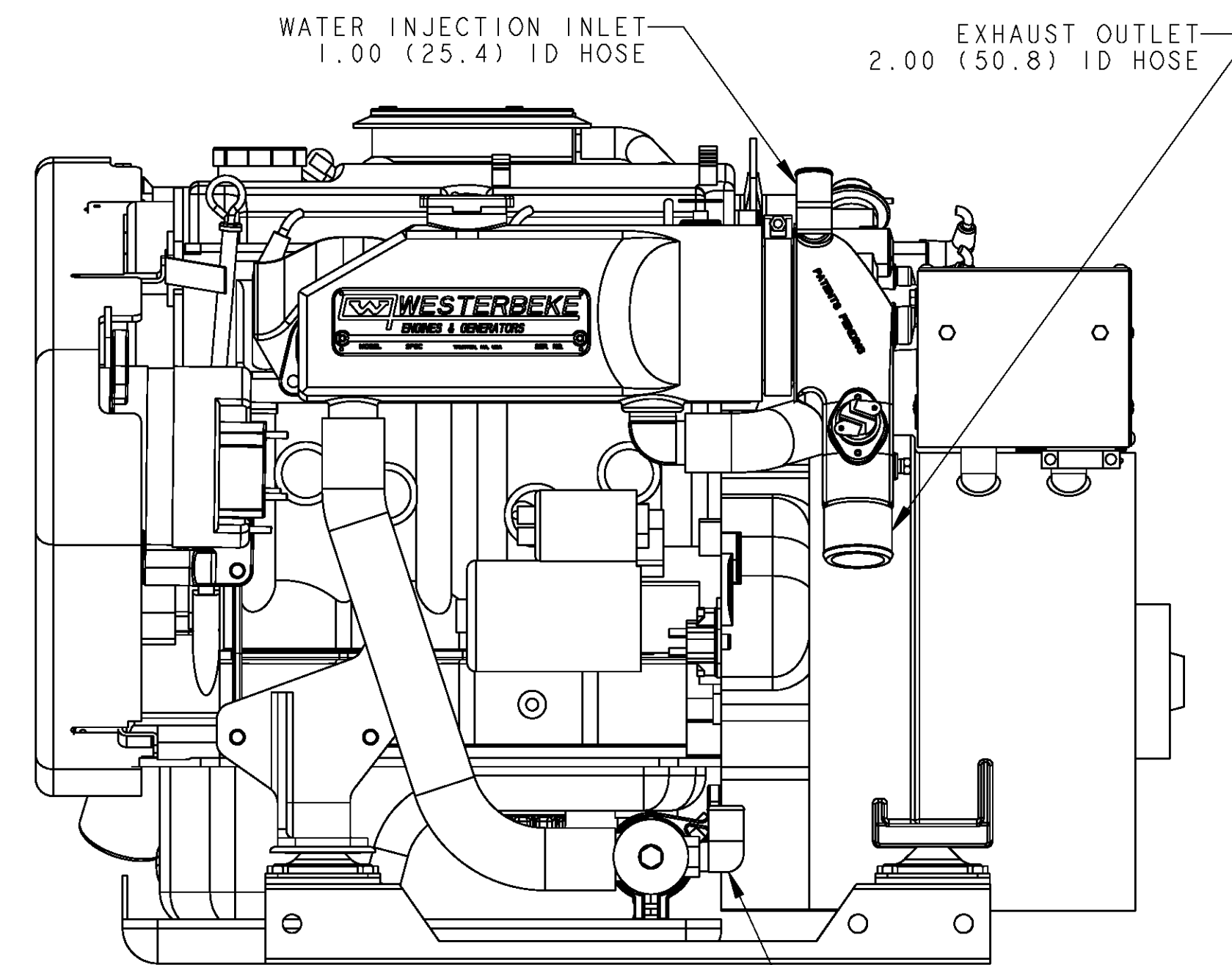
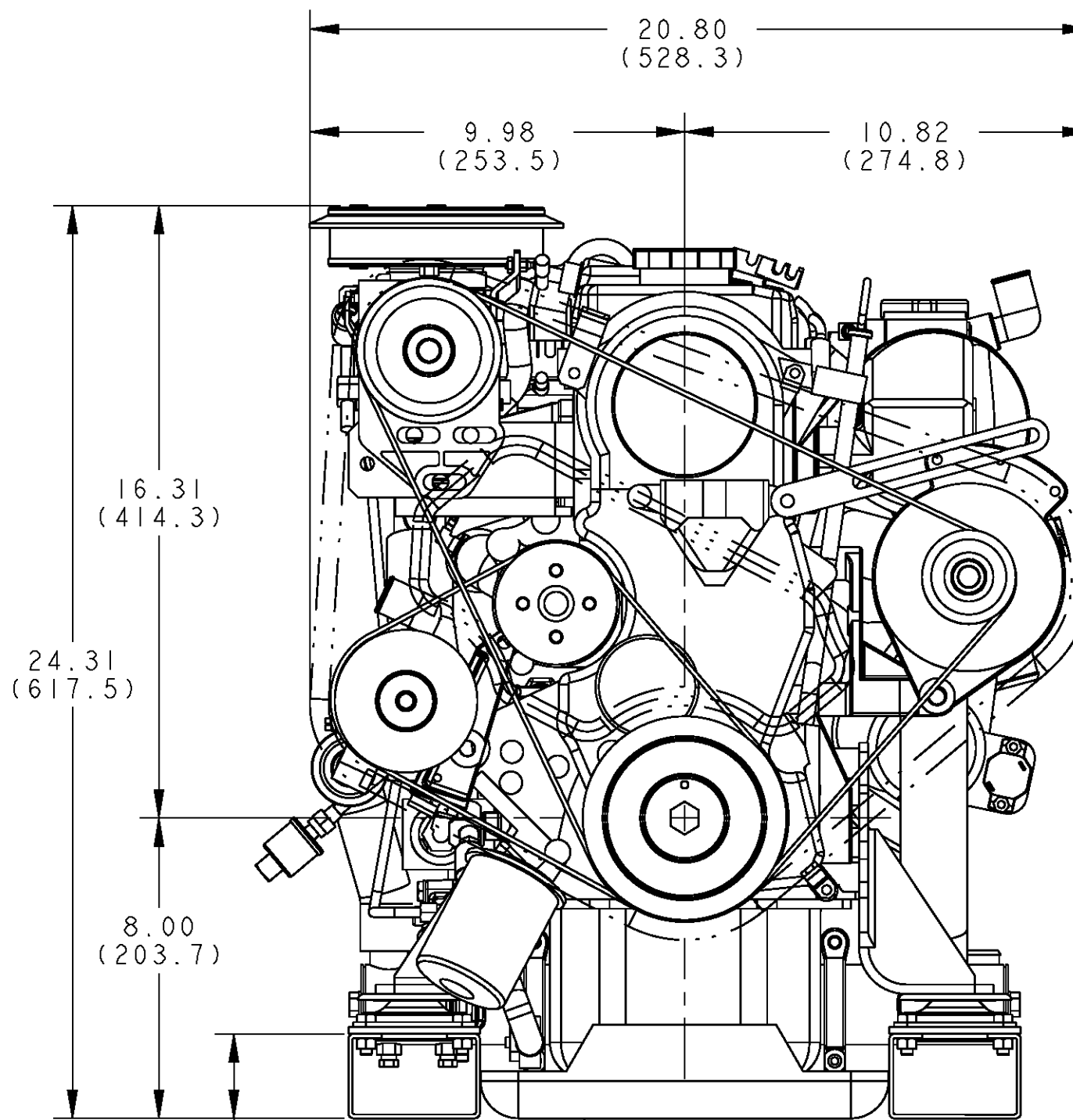
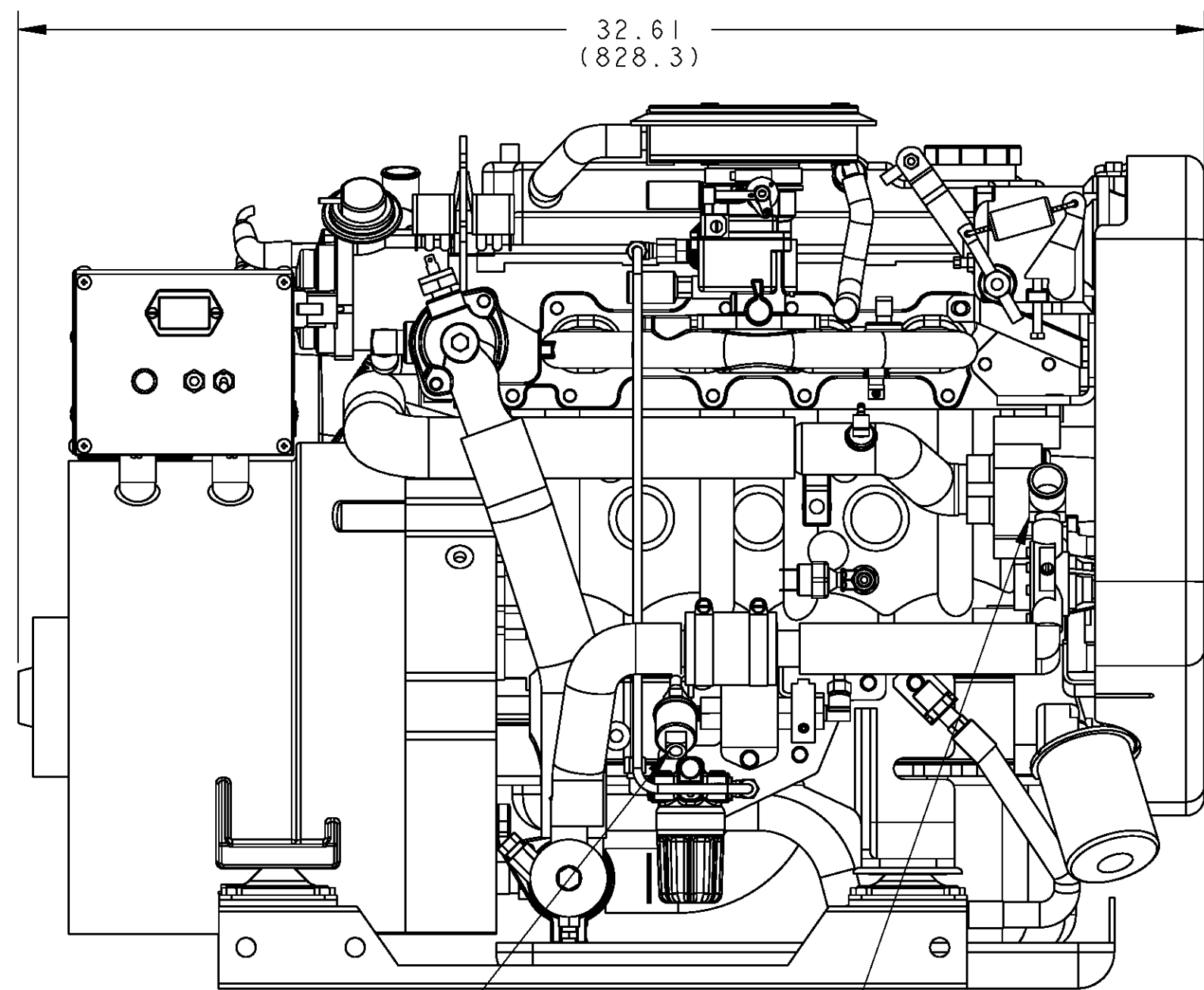
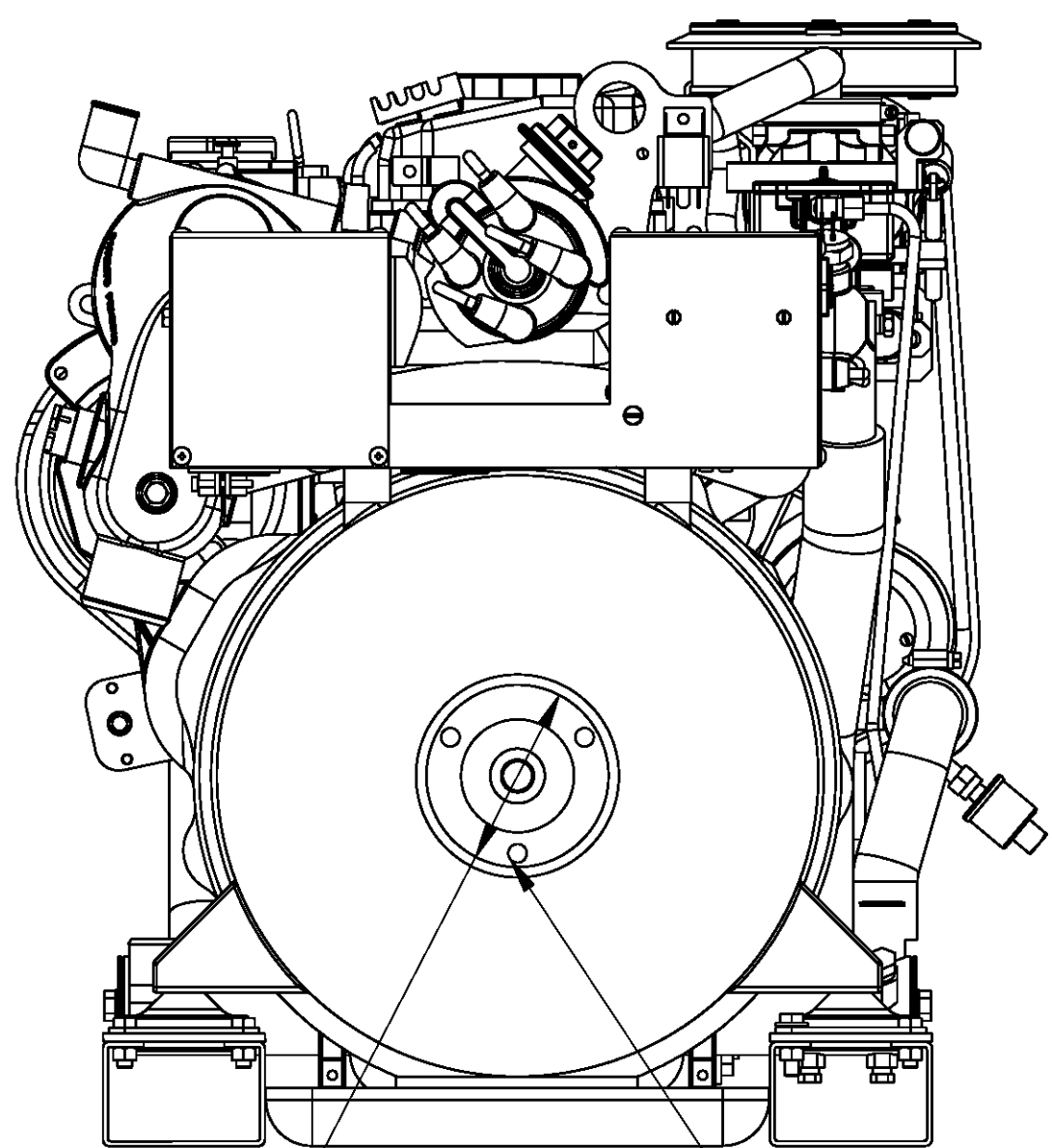
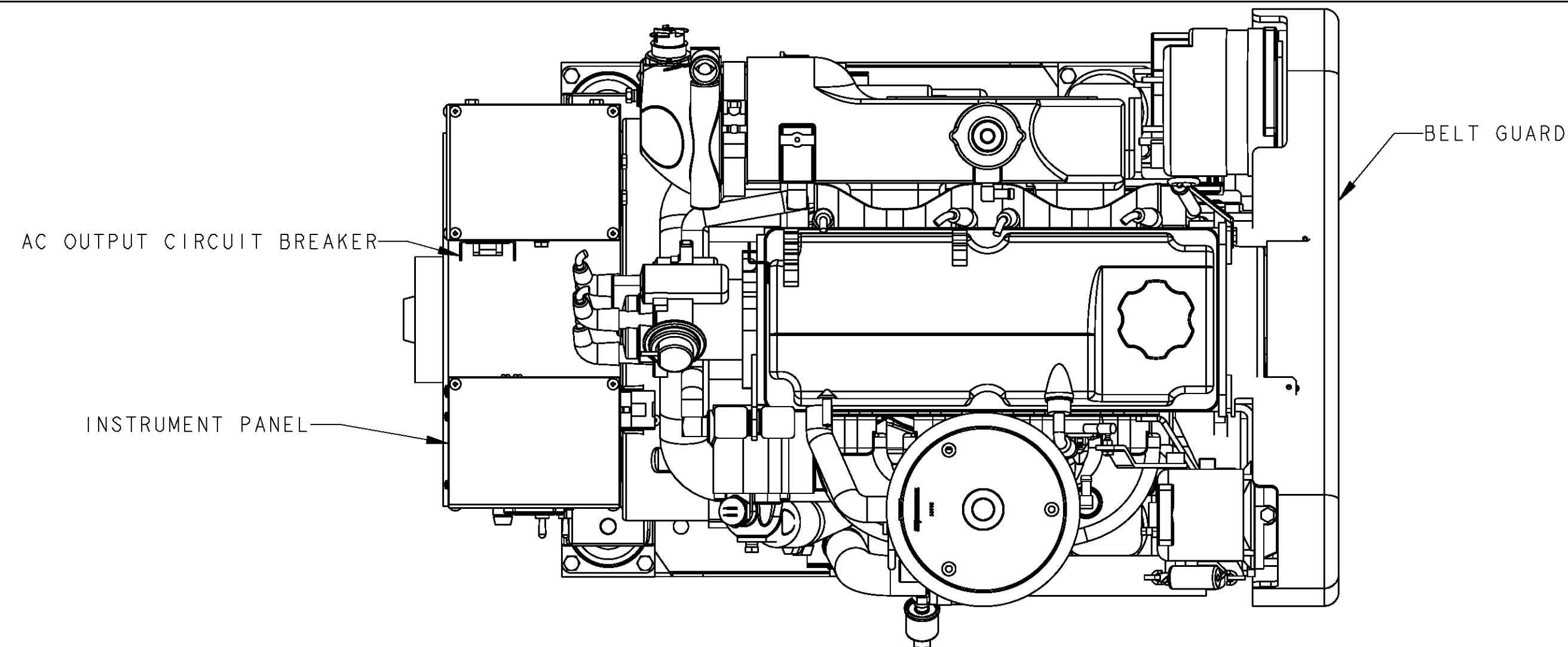


ECO NO.	DATE	REV.	REVISION RECORD	AUTH.	DR. BY
5425	12-12-02	A	ADDED PART #48076 TO ASSEMBLY		BM
6089	09/08-2005	B	REMOVED 46444, 48313 AND ADDED 52315, 52092, 52329		RPS



TOLERANCES (UNLESS OTHERWISE NOTED)		WESTERBEKE CORPORATION TAUNTON MA. 02780	
INCHES	MILLIMETERS	TITLE	
.XX : .02	.X : .1	INSTALLATION DRAWING	
.XXX : .005	.X : .XX	8.0 KW BEG	
CAST : .03	.XX :		
ANGLES : .5°			
FINISH : 32			
DIMENSIONS		DRAWN BY	DATE
INCHES		Jeremy Anderson	02/Jul/01
MILLIMETERS		APPROVED BY	DATE
(WHEN APPLICABLE)			
SCALE 0.250	SIZE	DRAWING NUMBER	REV.
SHT. 1 OF 1	D	46478	B