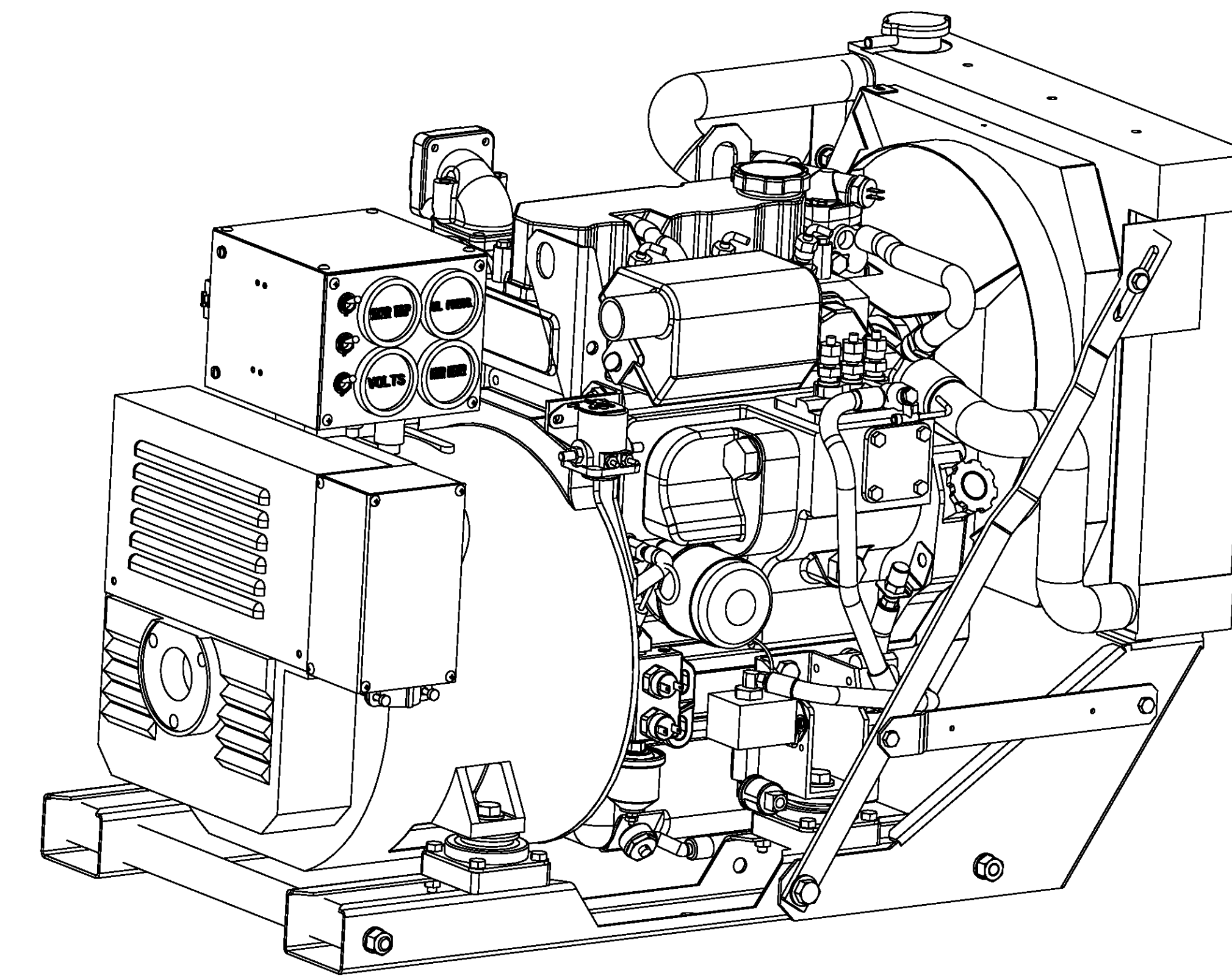
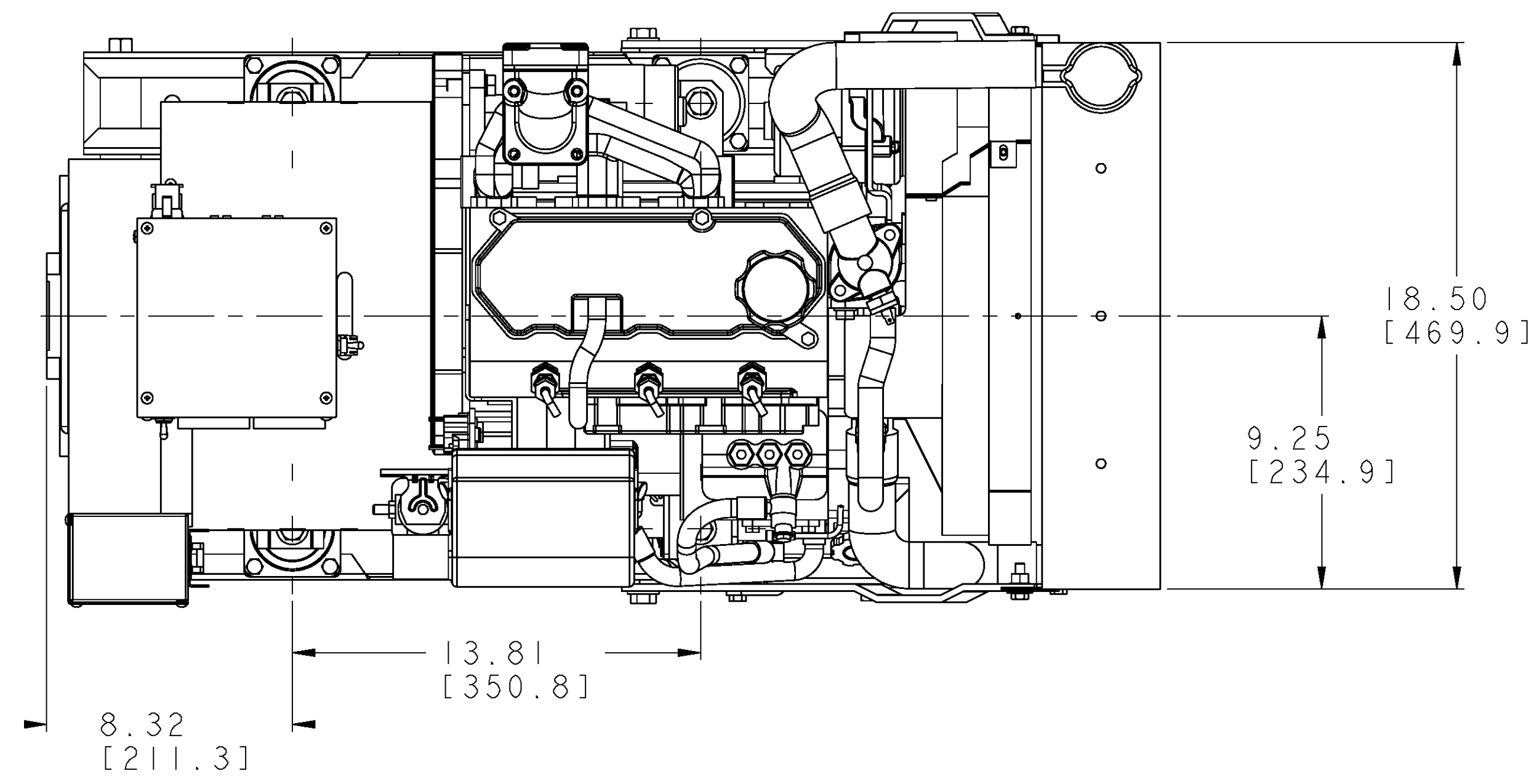


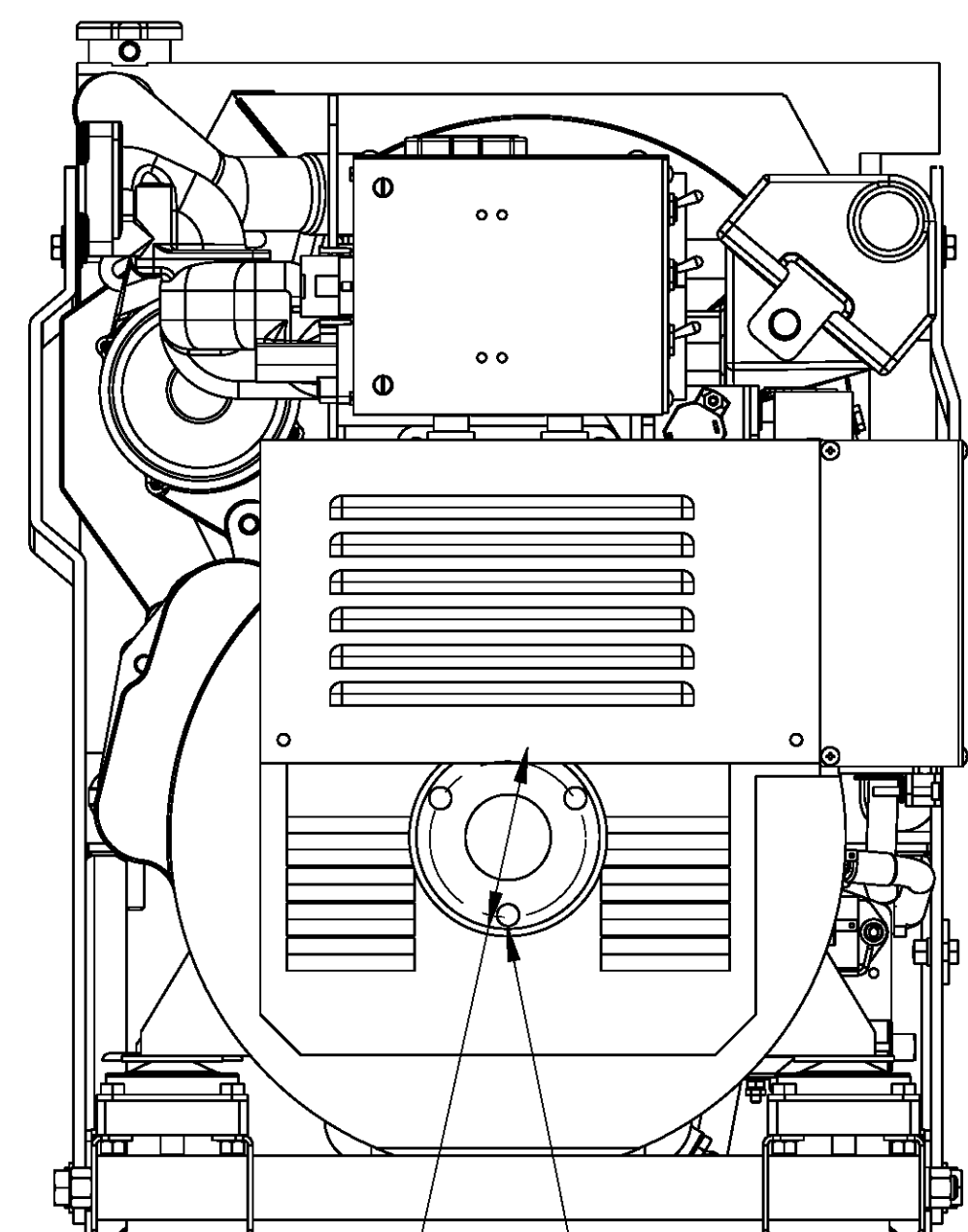
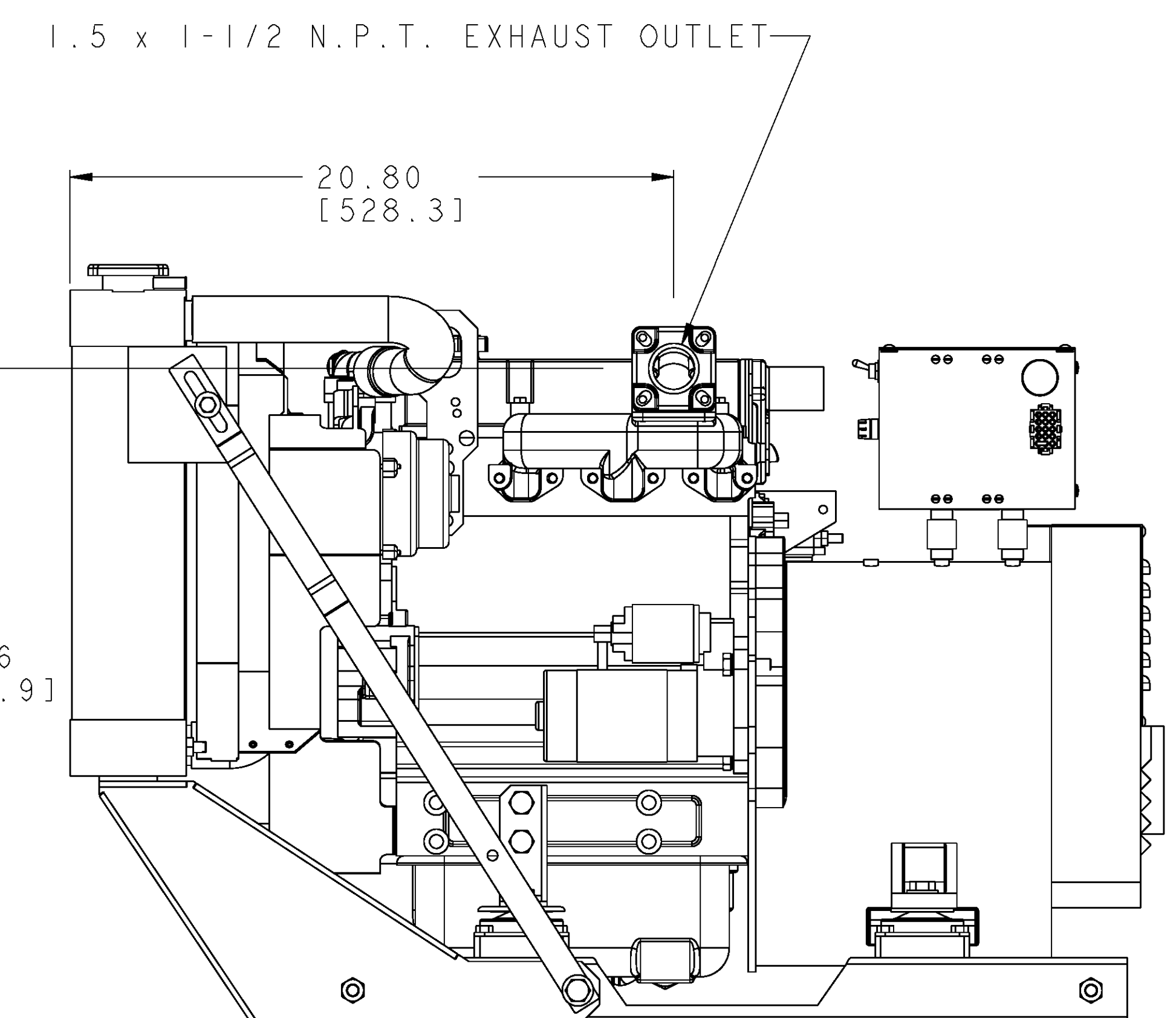
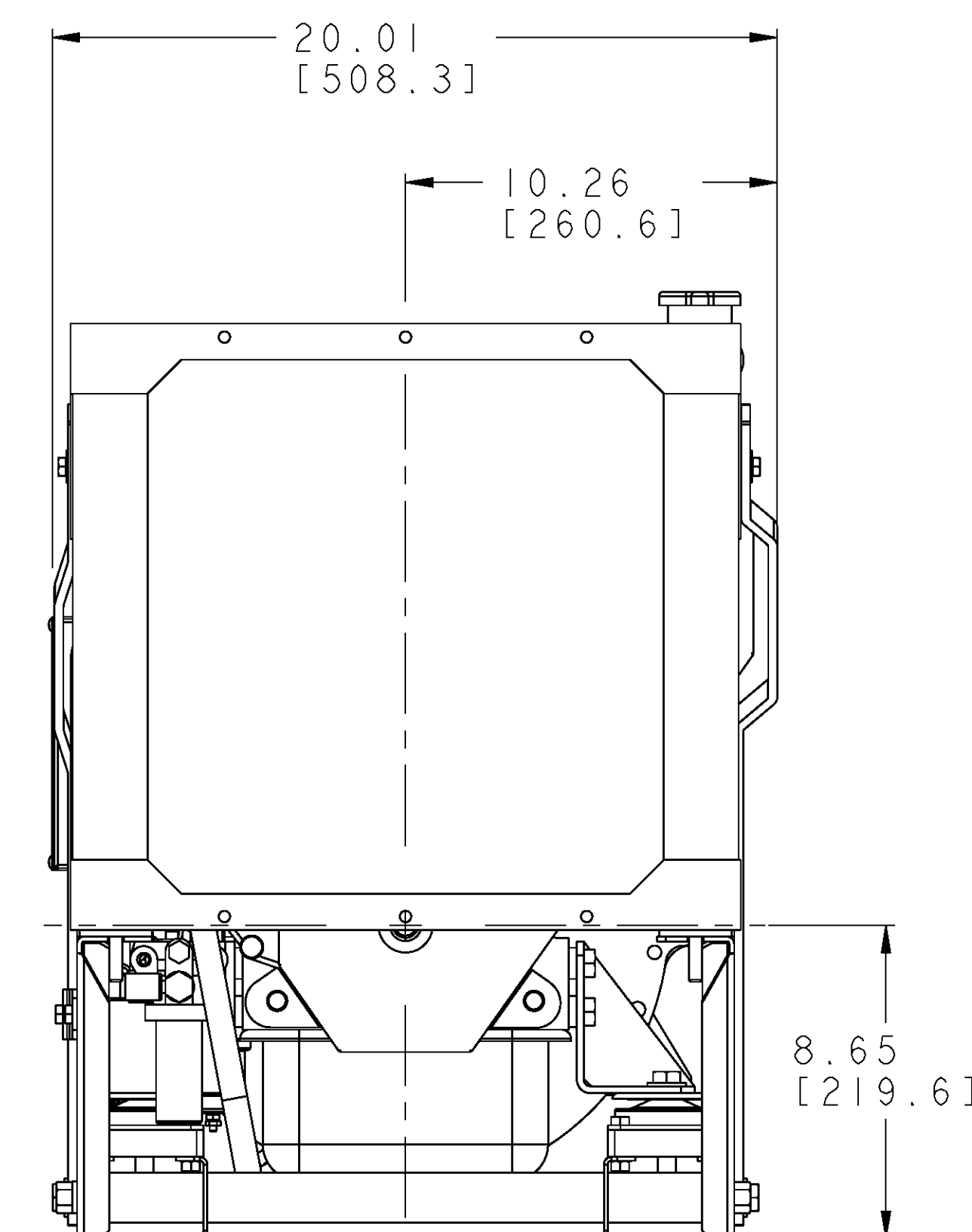
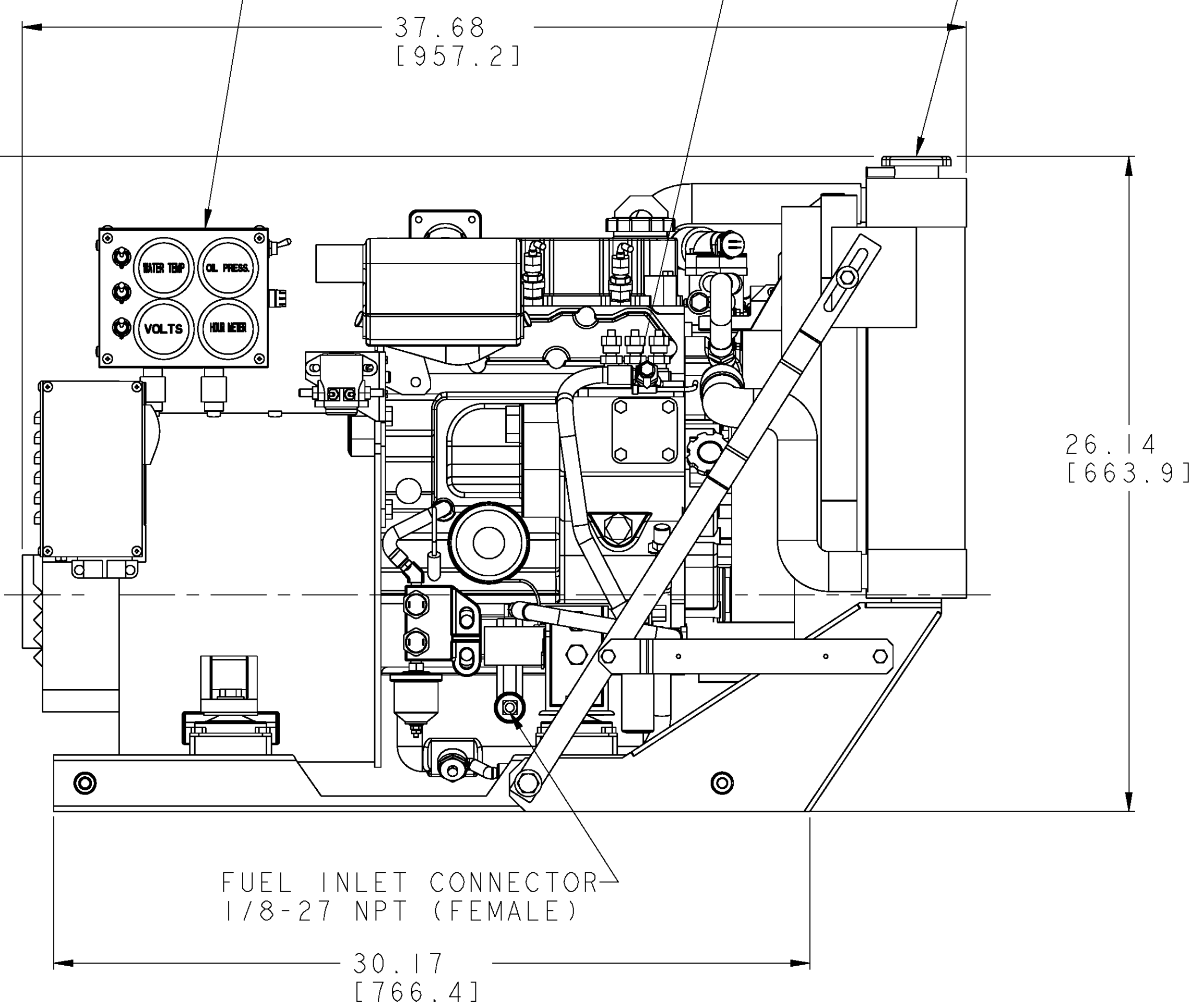
ECO NO.	DATE	REV.	REVISION RECORD	AUTH.	DR. BY
5325	12-22-03	A	UPDATE ASM TO REFLECT CURRENT BOM	BM	BM
5424	12-12-03	B	ADDED PART #48076 TO ASSEMBLY	BM	BM
6184	07-21-06	C	FIXED TITLE	GA	GA



SPECIAL FUEL RETURN CONNECTOR  
SUPPLIED - 1/4 INCH HOSE BARB

FILLER CAP (14 P.S.I.)

INSTRUMENT PANEL

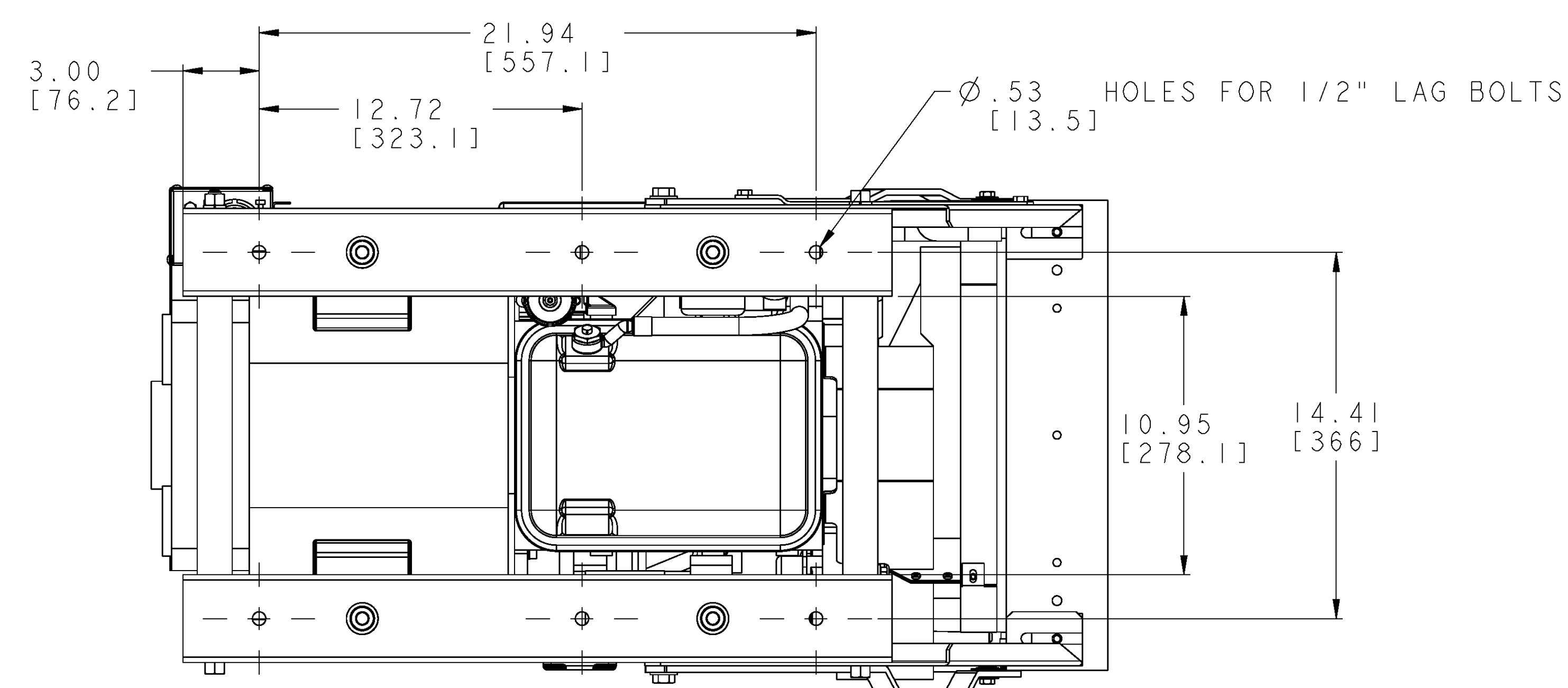


M12 x 1.75 x 25mm DEEP,  
3 HOLES EQUALLY SPACED  
ON A Ø3.346[Ø85] B.C.

Ø3.94 x .10[2.5] DEEP PILOT  
[100]

FUEL INLET CONNECTOR  
1/8-27 NPT (FEMALE)

1.5 x 1-1/2 N.P.T. EXHAUST OUTLET



TOLERANCES (UNLESS OTHERWISE NOTED)		WESTERBEKE CORPORATION TAUNTON, MA. 02780	
INCHES	MILLIMETERS	TITLE	MATERIAL
.XX	±.02	INSTALLATION DRAWING	---
.XXX	±.005	10.0 KW BIDAR GENERATOR	---
CAST	±.005		---
ANGLES	±.13		---
FINISH			---
DIMENSIONS		DRAWN BY	DATE
INCHES		WJM	04/AUG/00
MILLIMETERS		APPROVED BY	DATE
(WHEN APPLICABLE)			---
		SCALE 0.250	SIZE
		SHT. 1 OF 1	DRAWING NUMBER
		<b>E</b>	<b>45112</b>
			REV.
			<b>C</b>