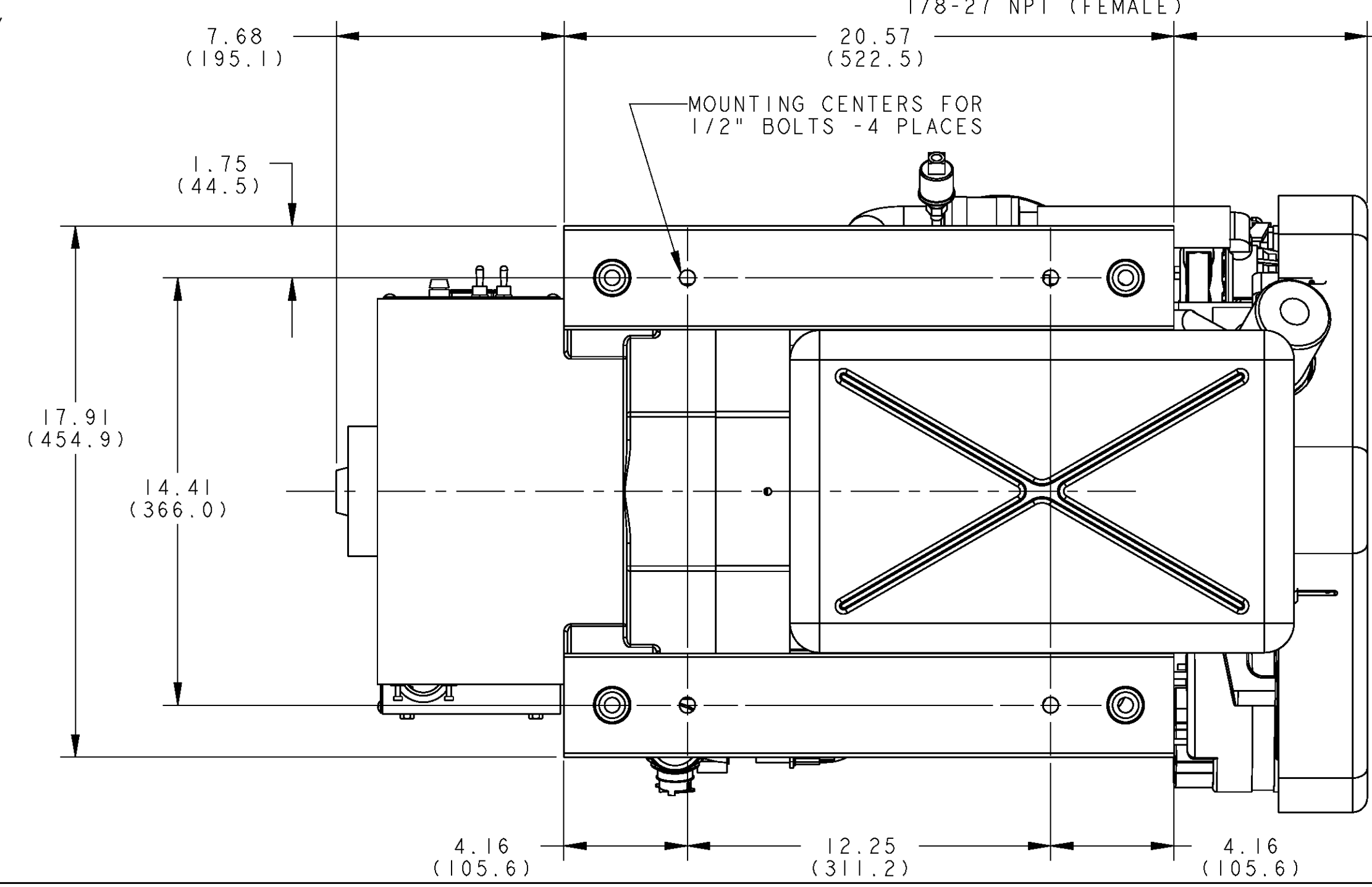
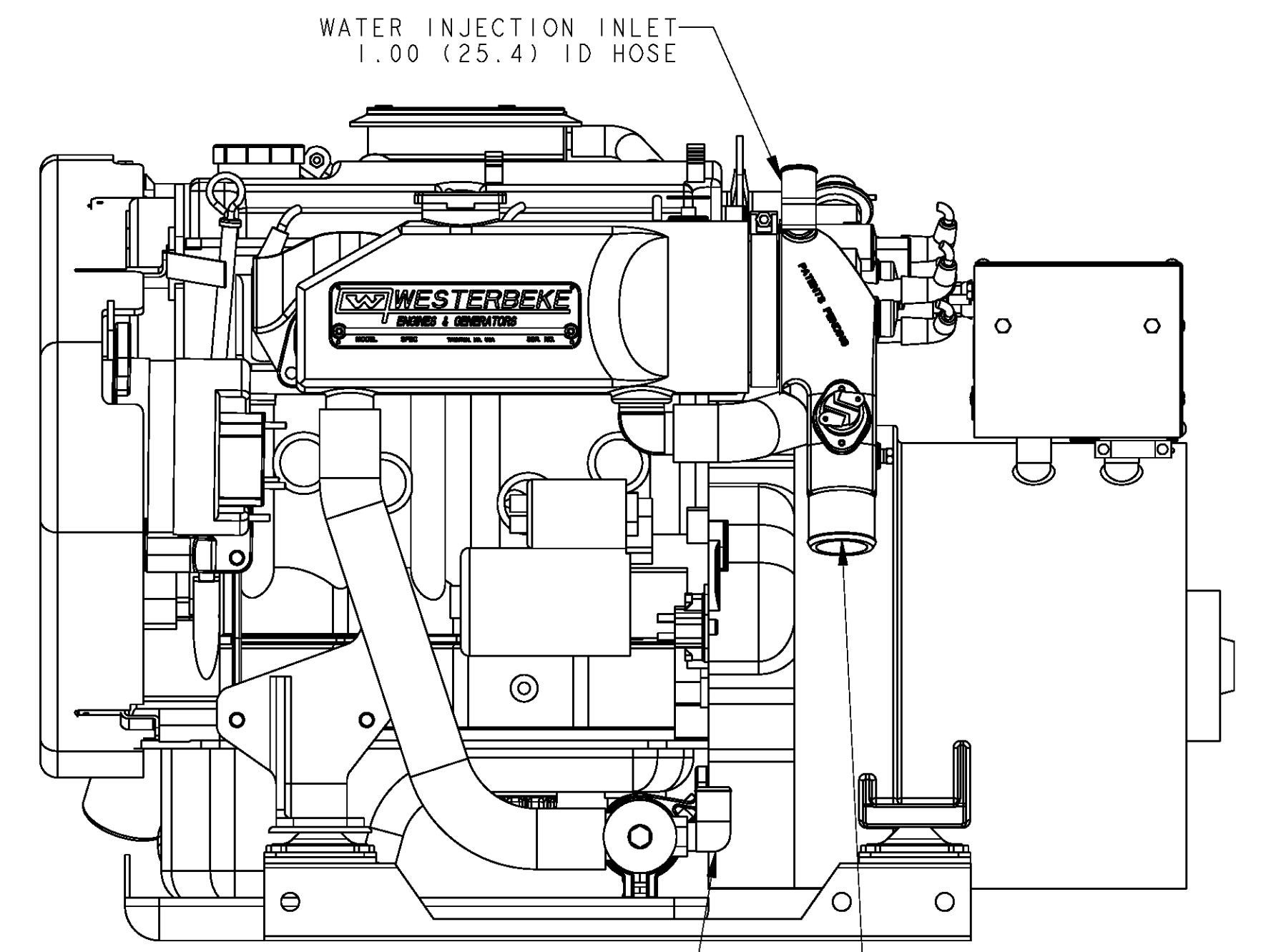
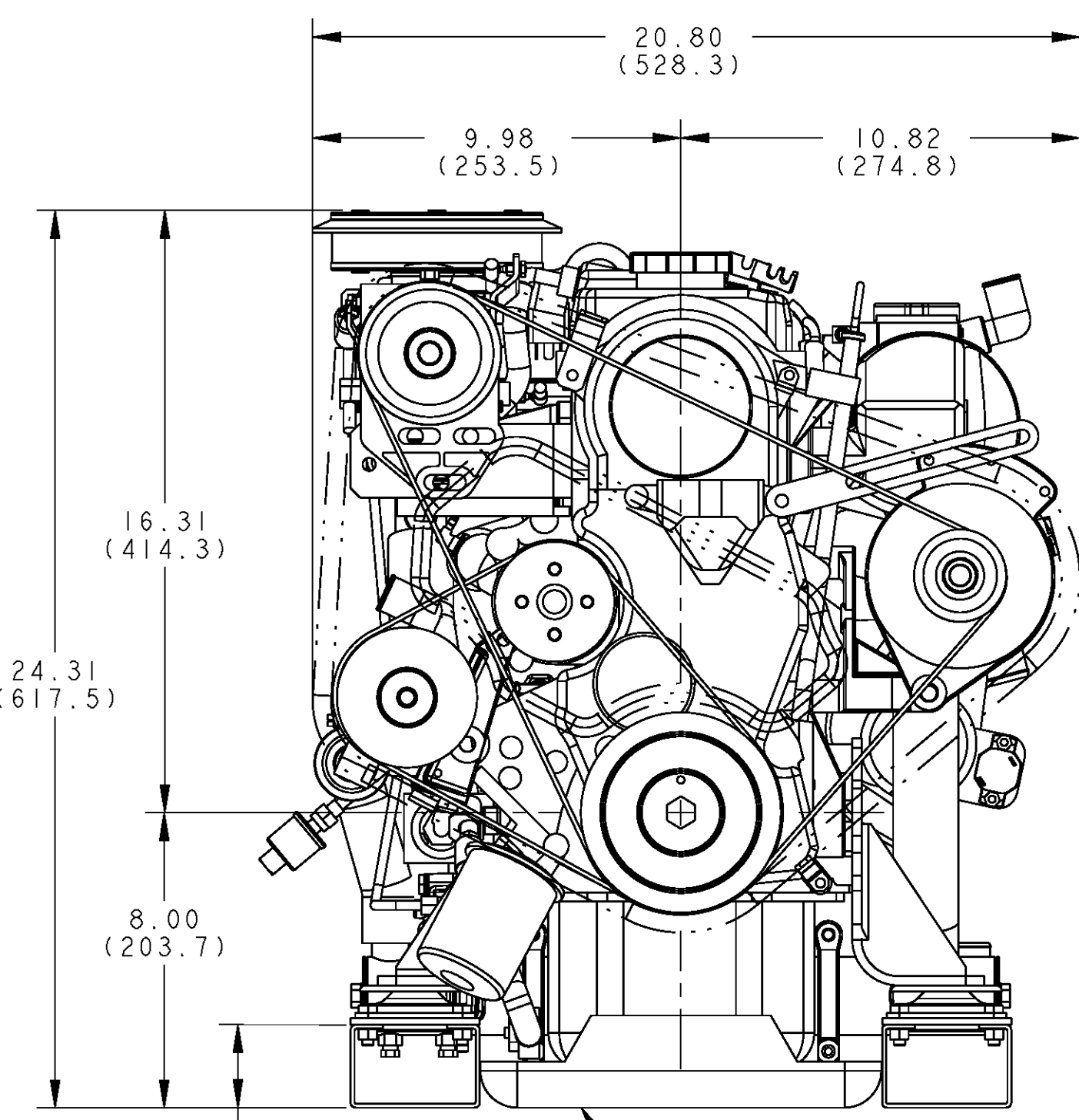
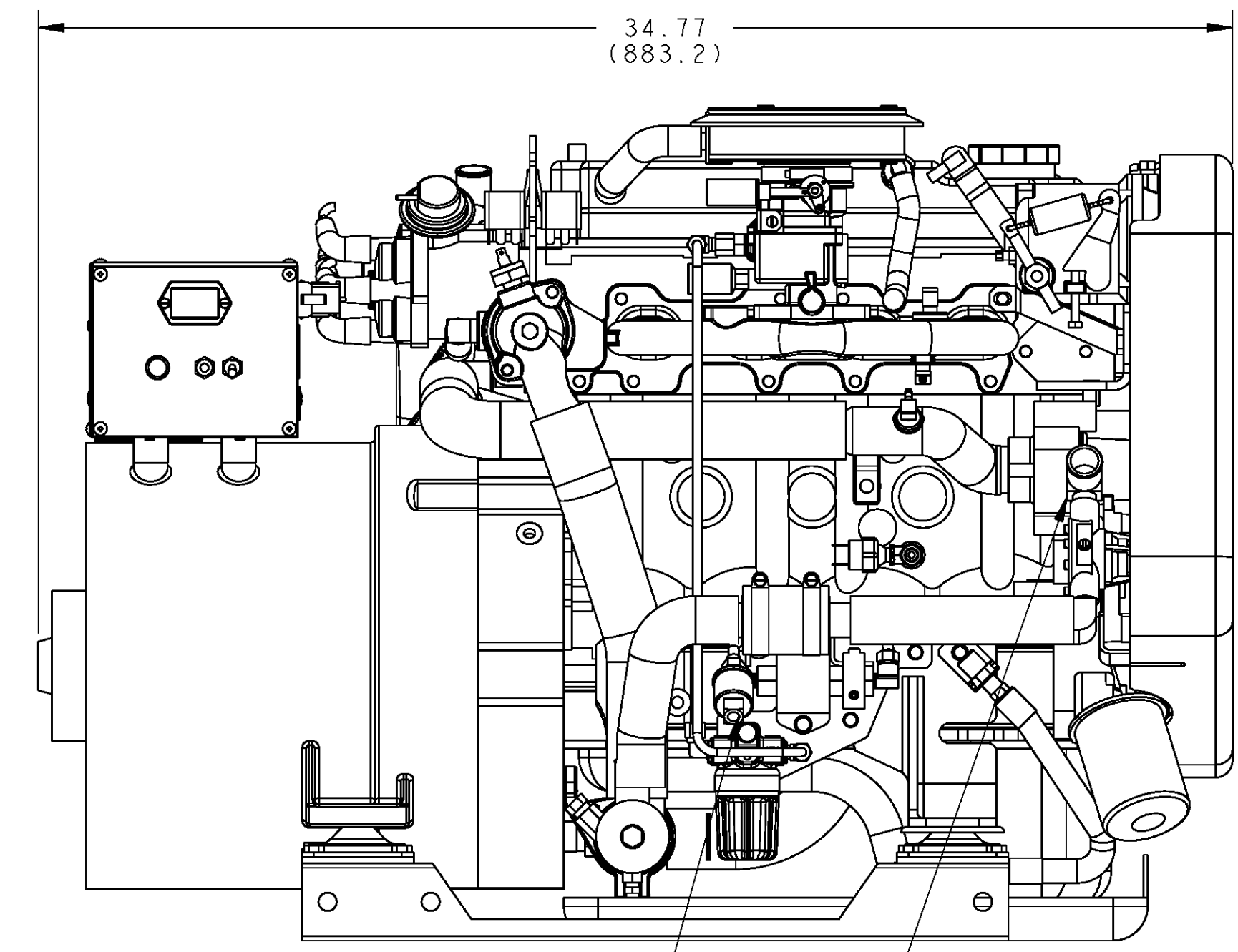
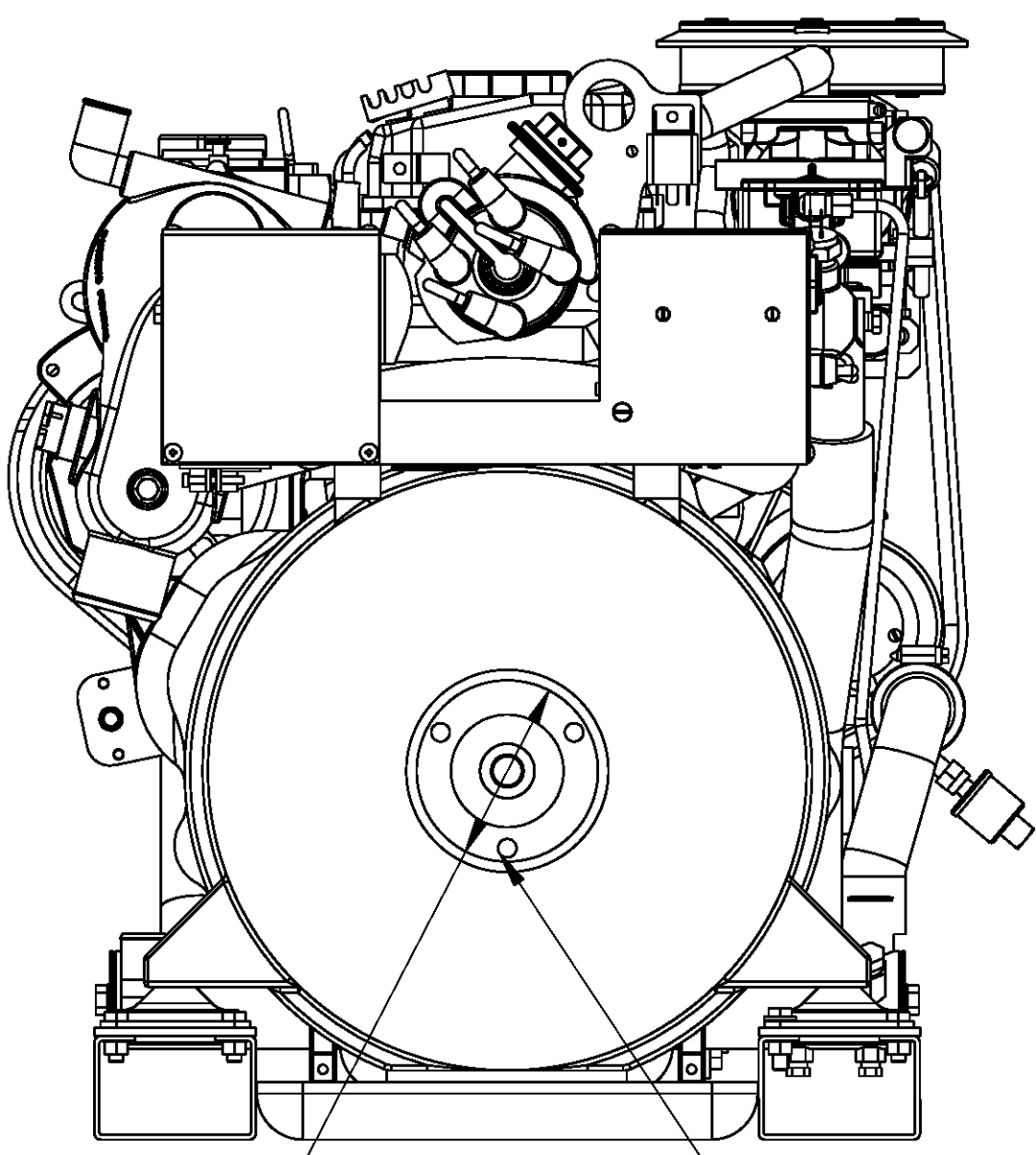
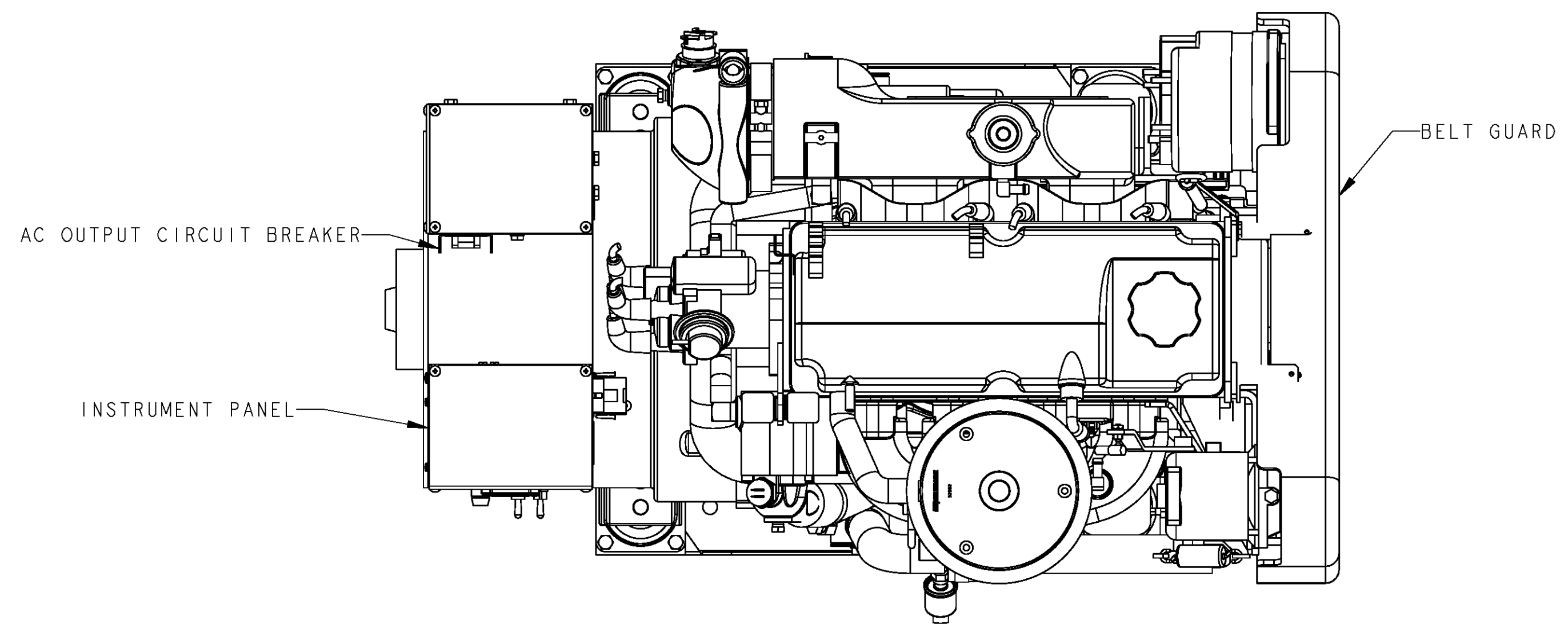


ECO NO.	DATE	REV.	REVISION RECORD	AUTH.	DR. BY
5425	12-12-02	A	ADDED PART #48076 TO ASSEMBLY		BM
6089	10-20-05	B	UPDATE DRAWING WITH NEW CARBURETOR.		GA



TOLERANCES (UNLESS OTHERWISE NOTED)		WESTERBEKE CORPORATION TAUNTON MA. 02780	
INCHES	MILLIMETERS	TITLE	INSTALLATION DRAWING
.XX : .02	.X : .1	12.5 KW BEG	
.XXX : .005	.X : .XX		
CAST : .03	.XX :		
ANGLES : 5°			
FINISH : 32			
DIMENSIONS		DRAWN BY	DATE
INCHES		Jeremy Anderson	02/Jul/01
MILLIMETERS		APPROVED BY	DATE
(WHEN APPLICABLE)			
SCALE 0.250	SIZE	DRAWING NUMBER	REV.
SHT. 1 OF 1	D	46480	B