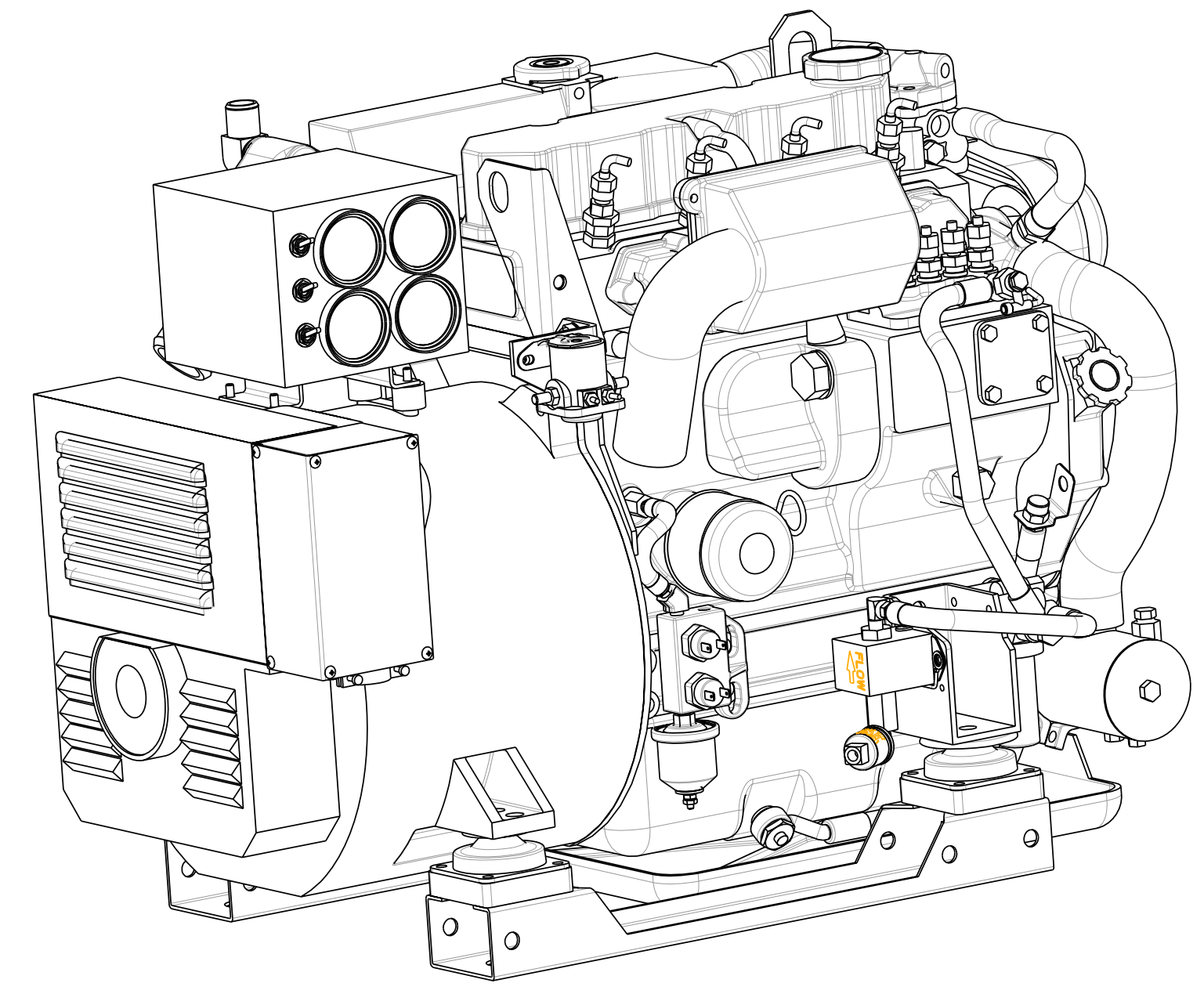
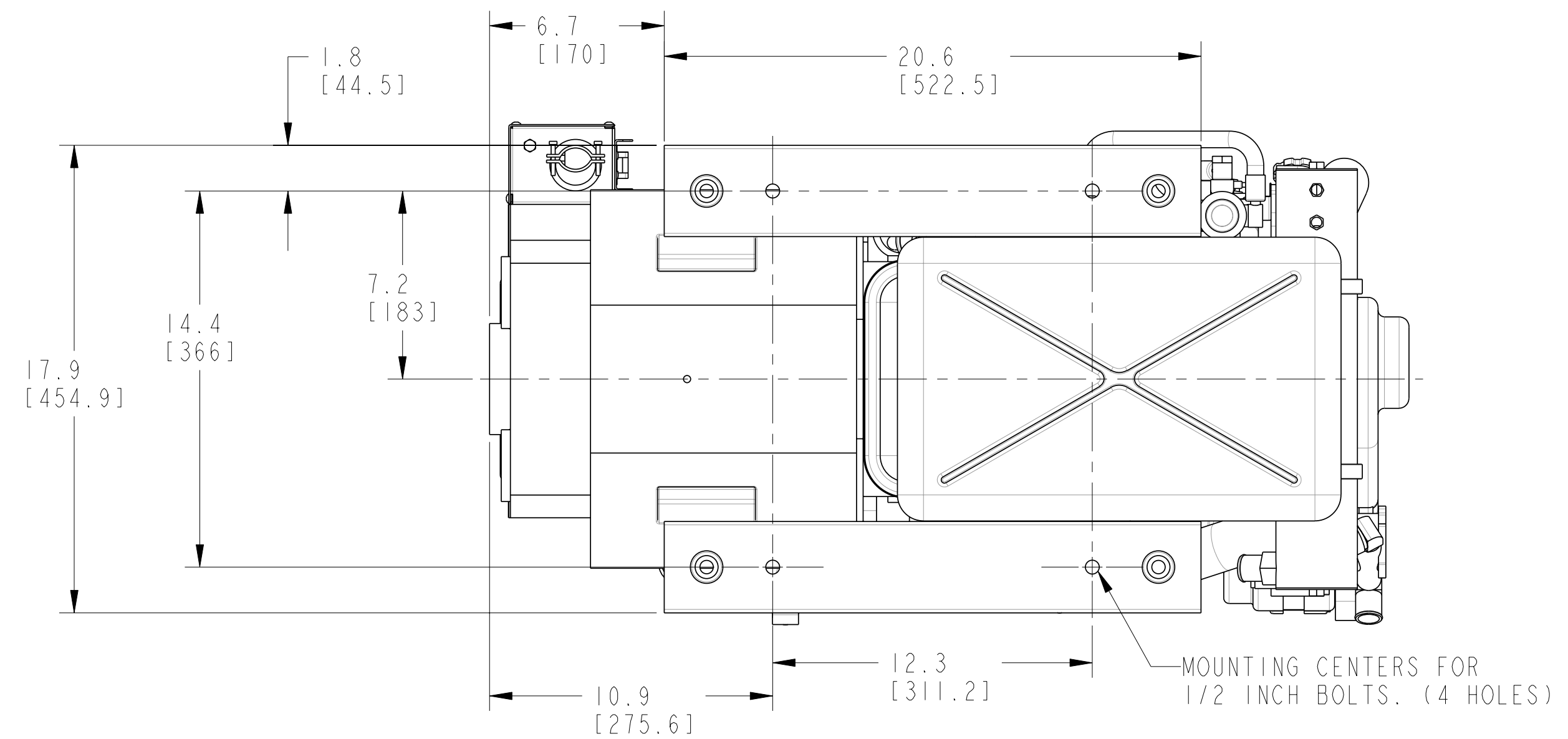
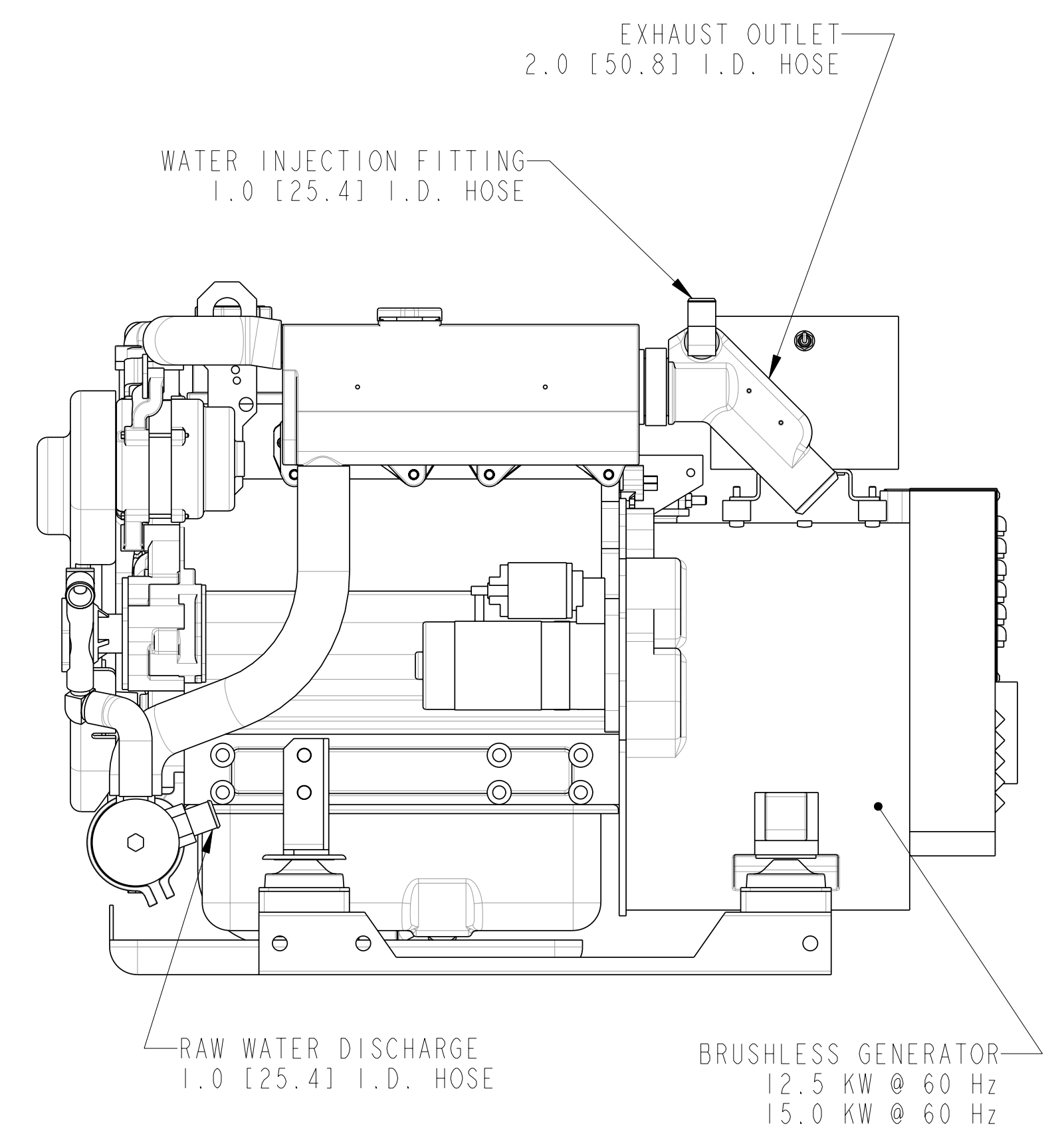
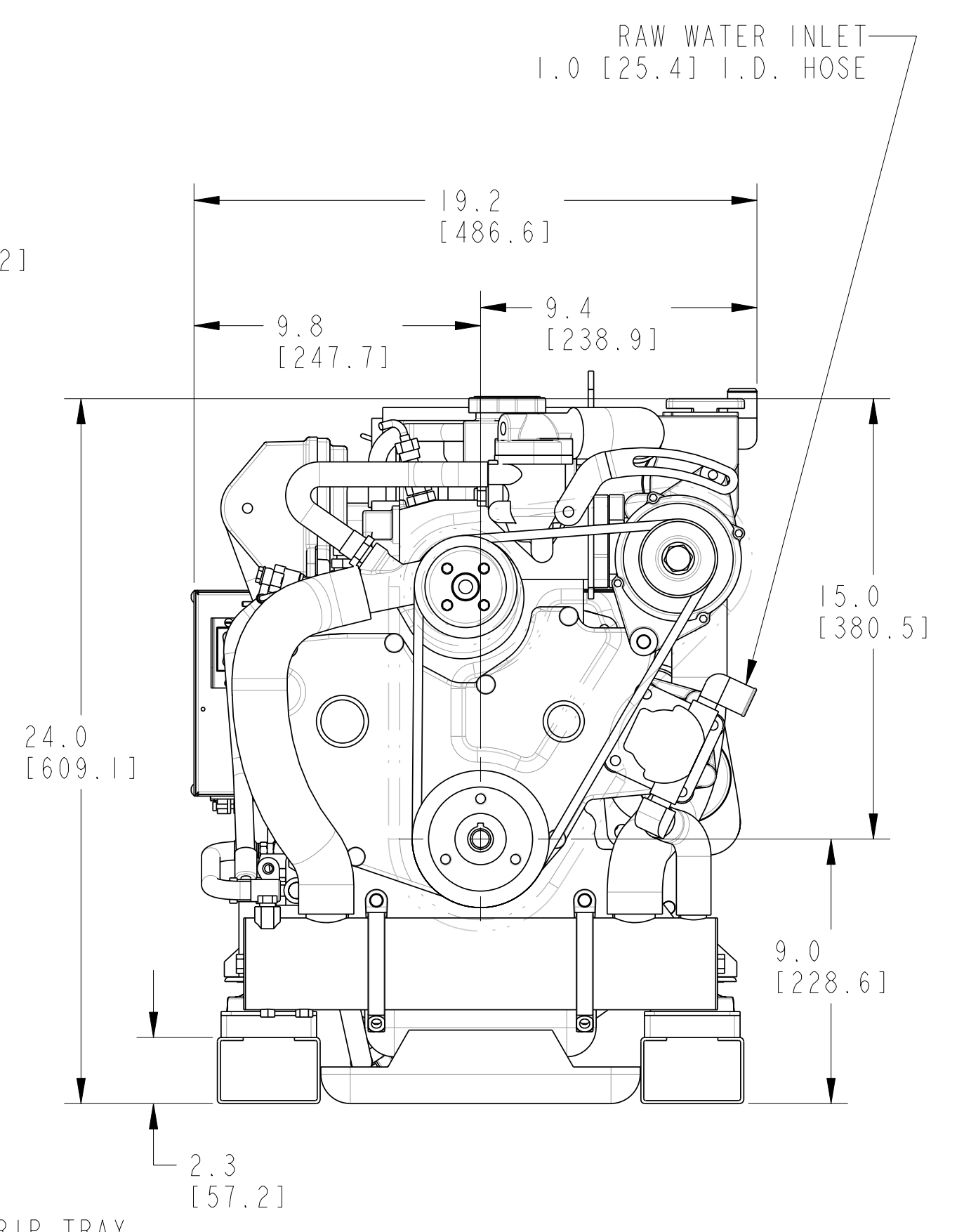
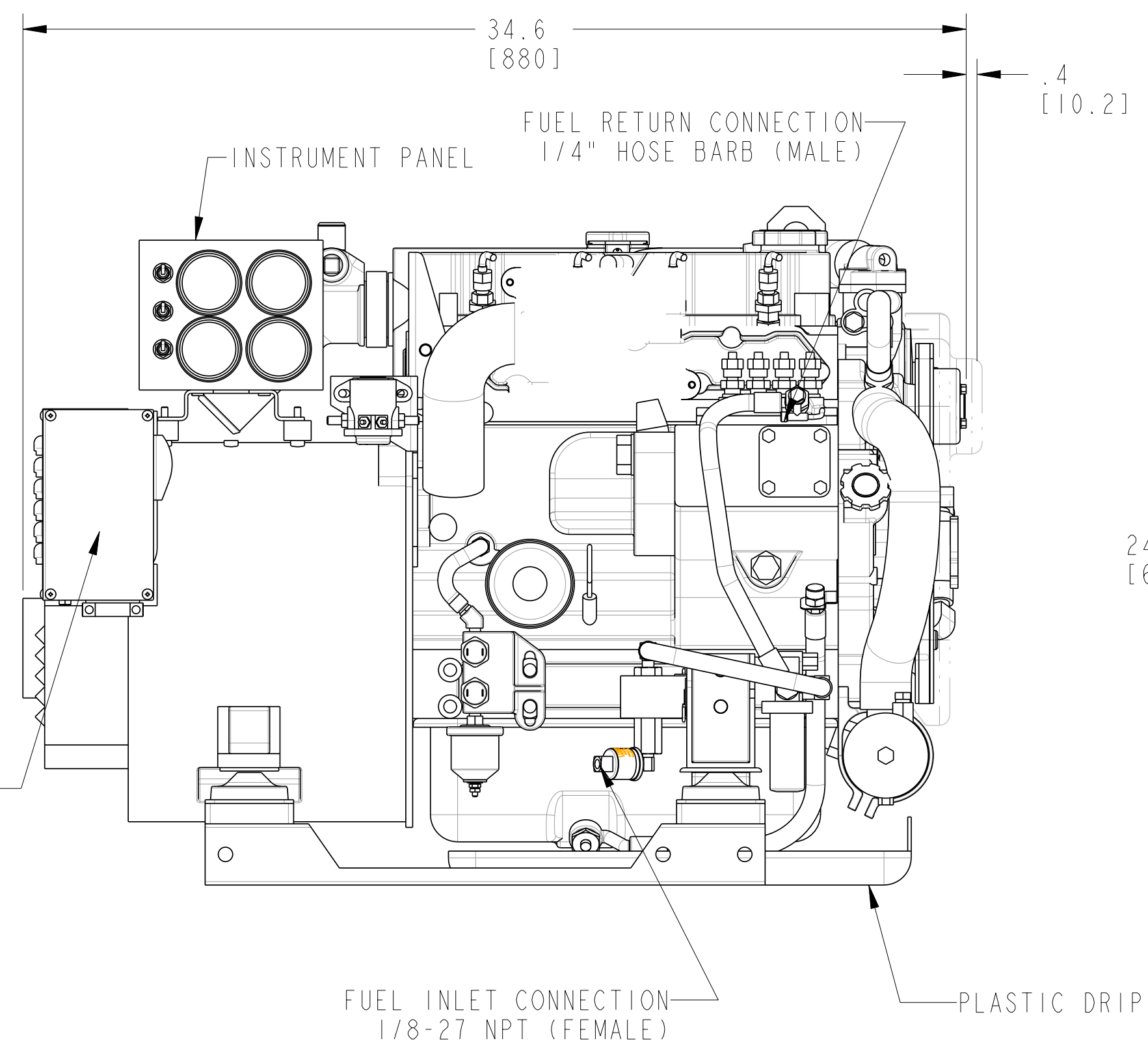
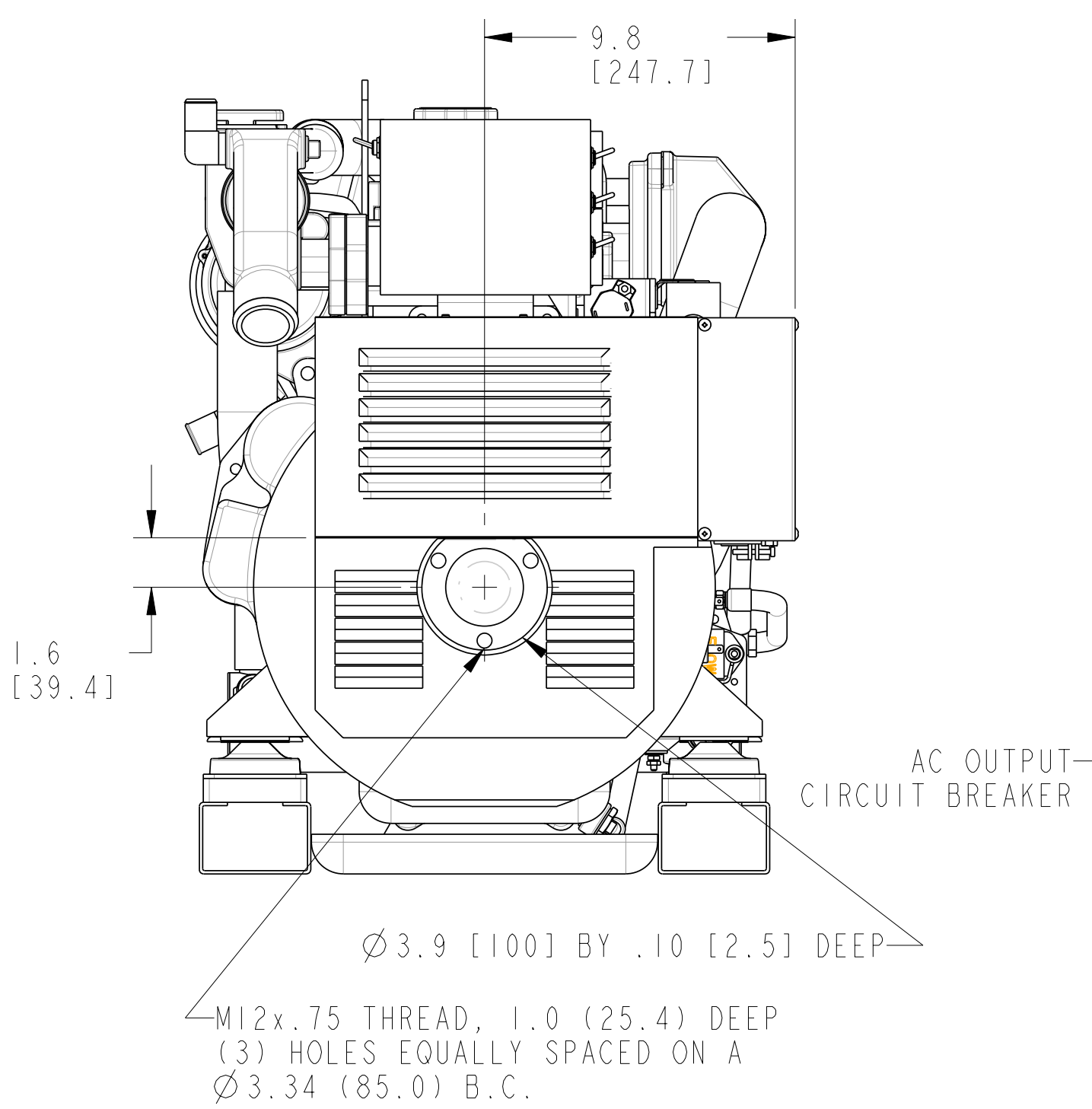
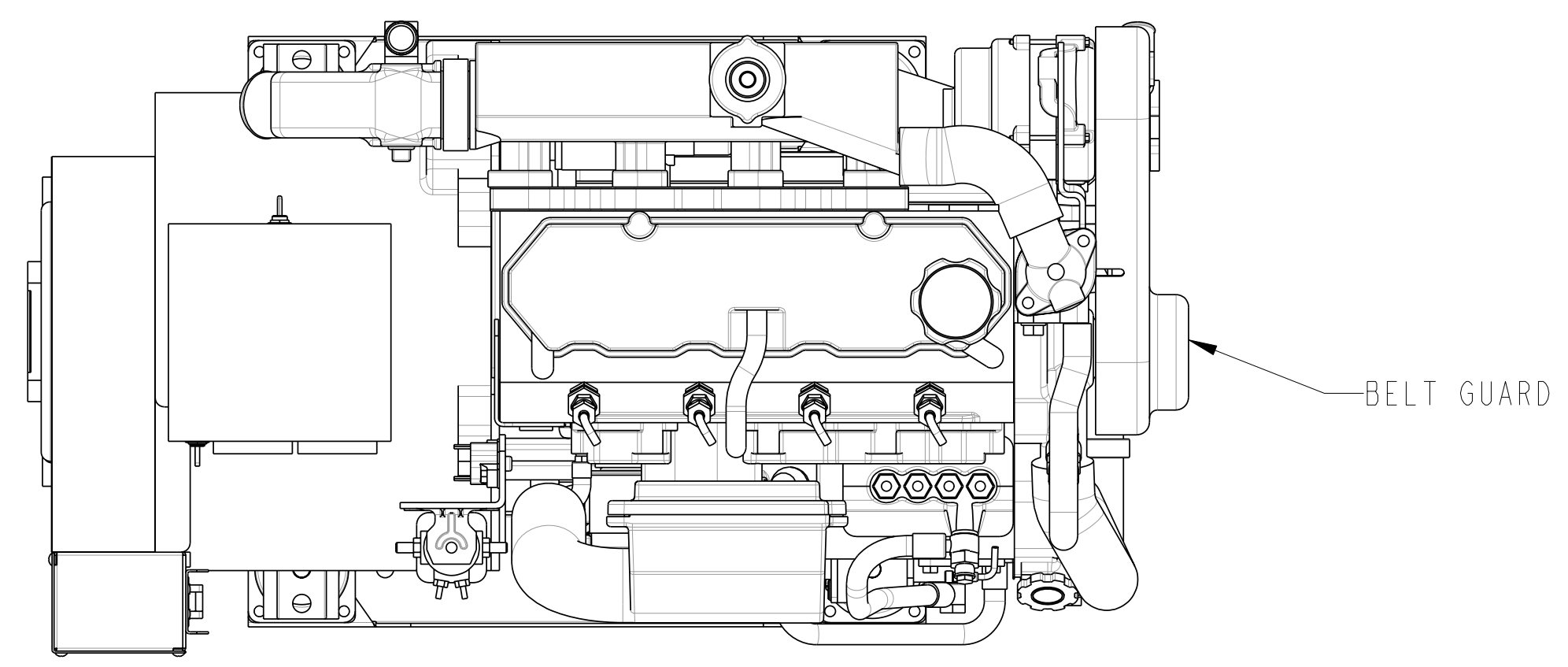


| ECO NO. | DATE | REV. | REVISION RECORD | AUTH. | DR. BY |
|---------|----------|------|-----------------------------------|-------|--------|
| 4325 | 11-30-99 | A | REVISED BREAKER BOX MOUNTING | | JM |
| 5337 | 7-30-02 | B | UPDATE ASM TO REFLECT CURRENT BOM | | BM |
| 5424 | 12-12-02 | C | ADDED PART #48076 TO ASSEMBLY | | BM |



MODEL WITH 50 AMP ALTERNATOR

| TOLERANCES (UNLESS OTHERWISE NOTED) | | WESTERBEKE CORPORATION TAUNTON, MA. 02780 | |
|--|-------------|--|----------------|
| INCHES | MILLIMETERS | TITLE | MATERIAL |
| .XX : .02 | X : ± 1.0 | INSTALLATION DRAWING | |
| .XXX : .005 | .X : ± .5 | 12.5 KW BTDB AND 15.0 KW BTDC | |
| CAST : .03 | .XX : ± .13 | | |
| ANGLES : .5° | | | |
| FINISH : Ⓢ | | | |
| DIMENSIONS | | DRAWN BY | DATE |
| INCHES | | JM | 14/Jul/99 |
| MILLIMETERS | | APPROVED BY | DATE |
| (WHEN APPLICABLE) | | | |
| SCALE 0.218 | | SIZE | DRAWING NUMBER |
| SHT. 1 OF 2 | | D | 44196 |
| | | REV. | C |