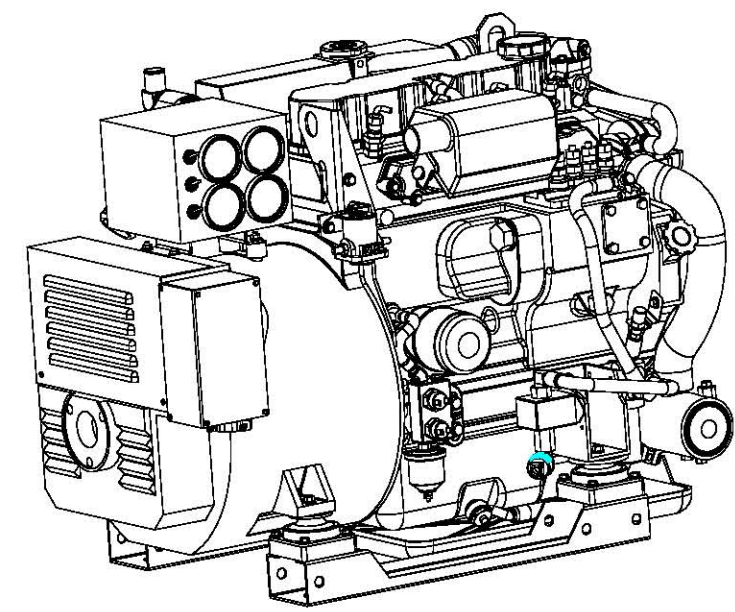
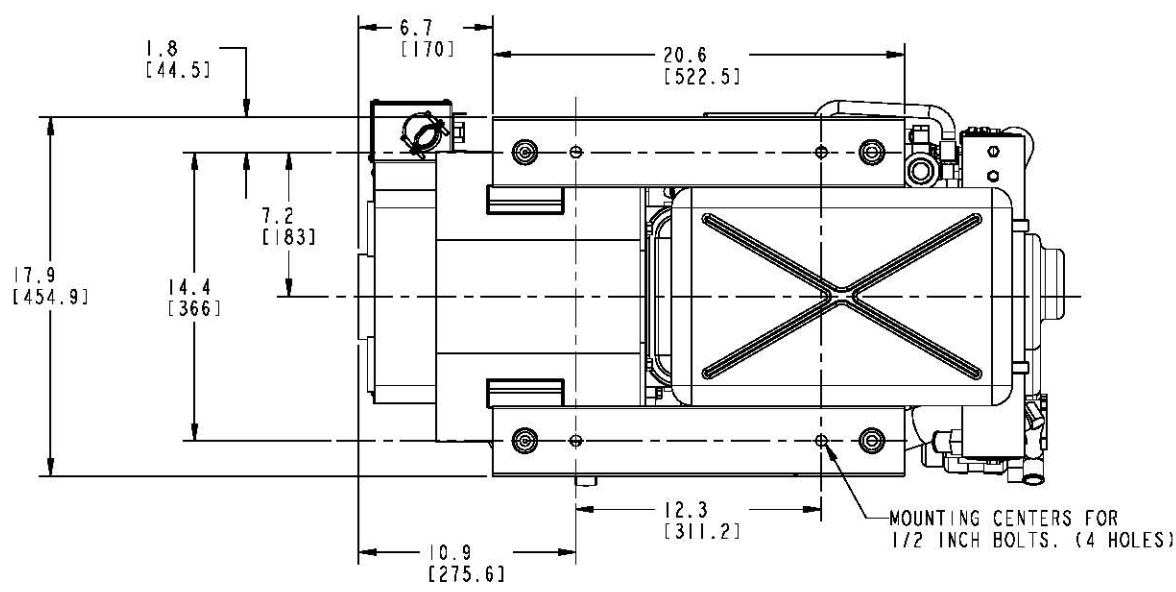
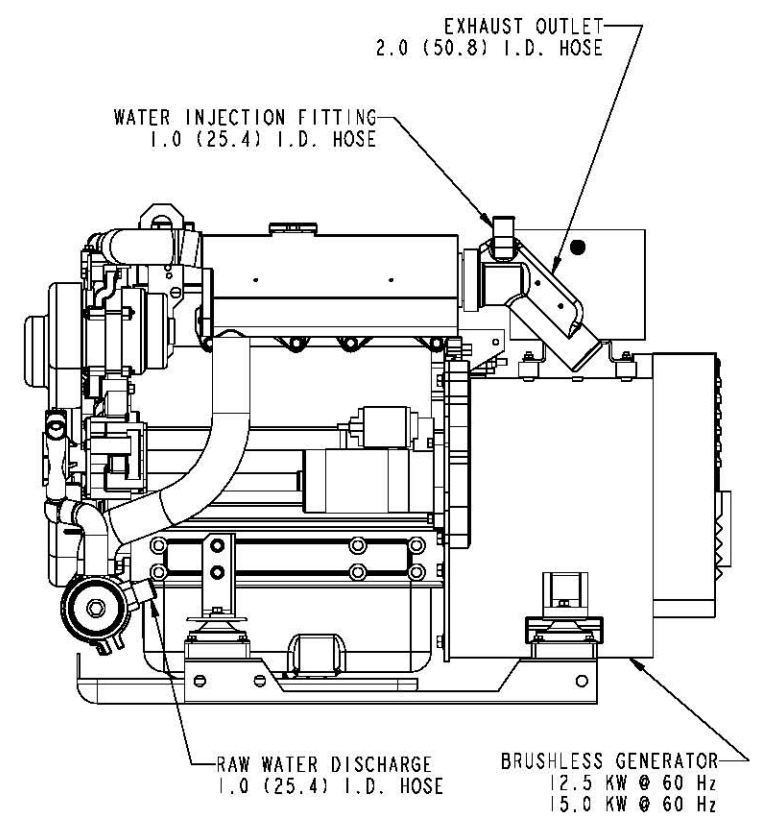
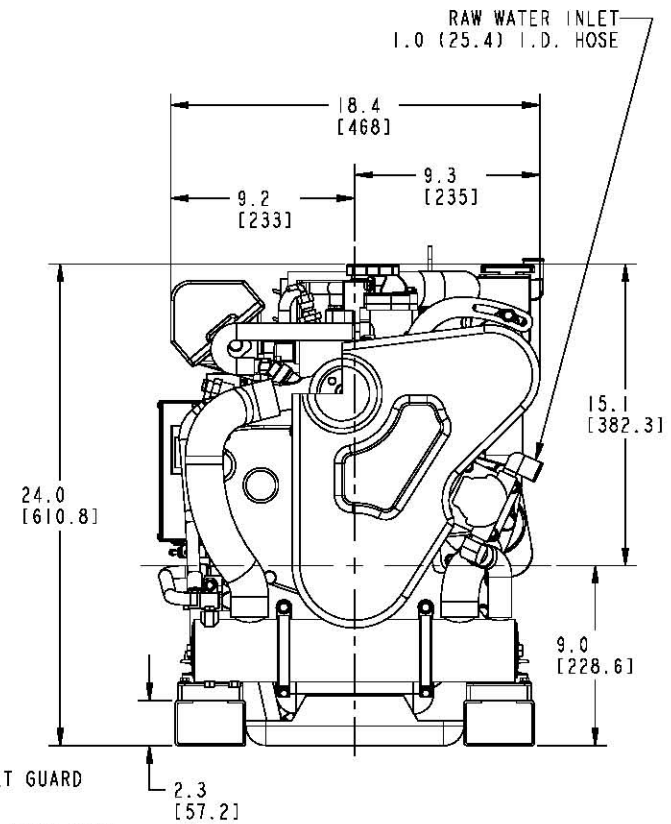
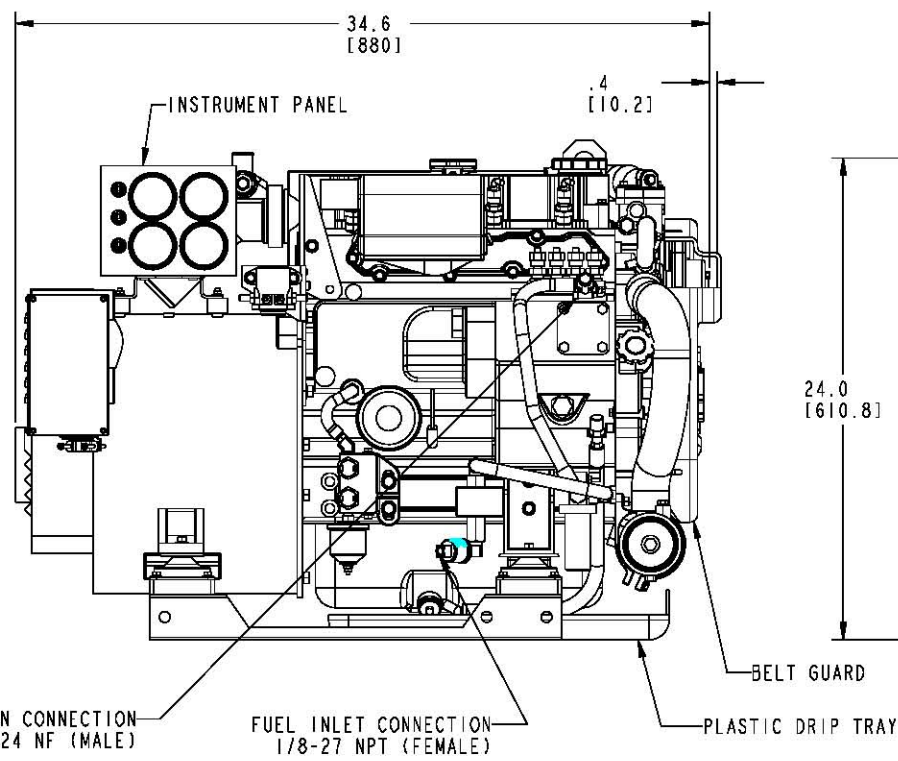
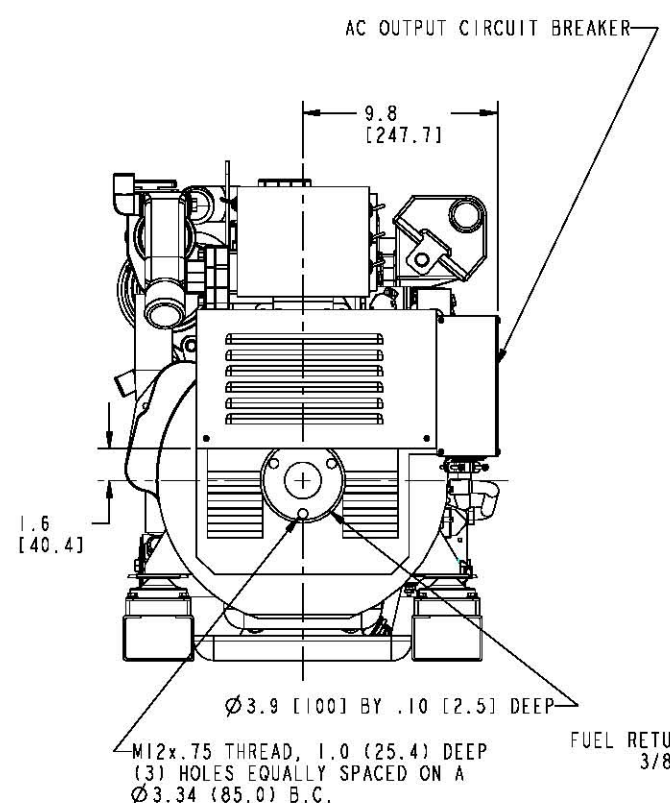
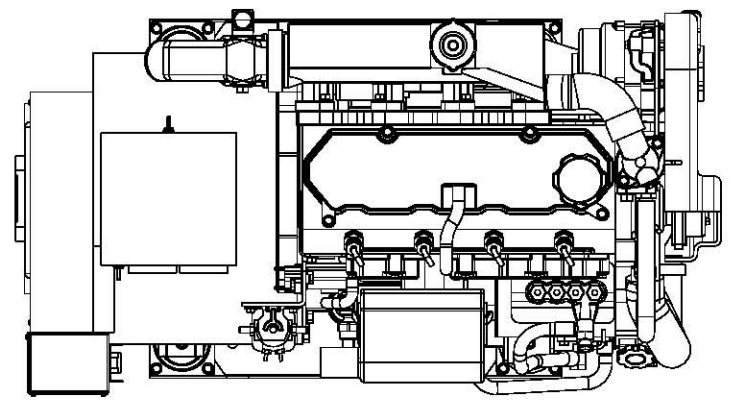


ECO NO.	DATE	REV.	REVISION RECORD	AUTH.	DR. BY
4325	11-30-98	A	REVISED BREAKER BOX MOUNTING		JM
5337	7-30-02	B	UPDATE ASM TO REFLECT CURRENT BOM		BM
5424	12-12-02	C	ADDED PART #48076 TO ASSEMBLY		BM



SCALE 0.218

MODEL WITH 50 AMP ALTERNATOR

TOLERANCES (UNLESS OTHERWISE NOTED)		WESTERBEKE CORPORATION TAUNTON, MA. 02780	
INCHES	MILLIMETERS	TITLE	
.XX	.XX ± 1.0	INSTALLATION DRAWING	
.XXX	.XX ± .5	12.5 KW BTDB AND 15.0 KW BTDC	
CAST	.XX ± .13	DRAWN BY	DATE
ANGLES	5°	JM	14/JUL/98
FINISH		APPROVED BY	MATERIAL:
DIMENSIONS		SIZE	DRAWING NUMBER
← INCHES →		SCALE 0.218	
MILLIMETERS		REV.	
(WHEN APPLICABLE)		SHT. 1 OF 1	D 44196 C