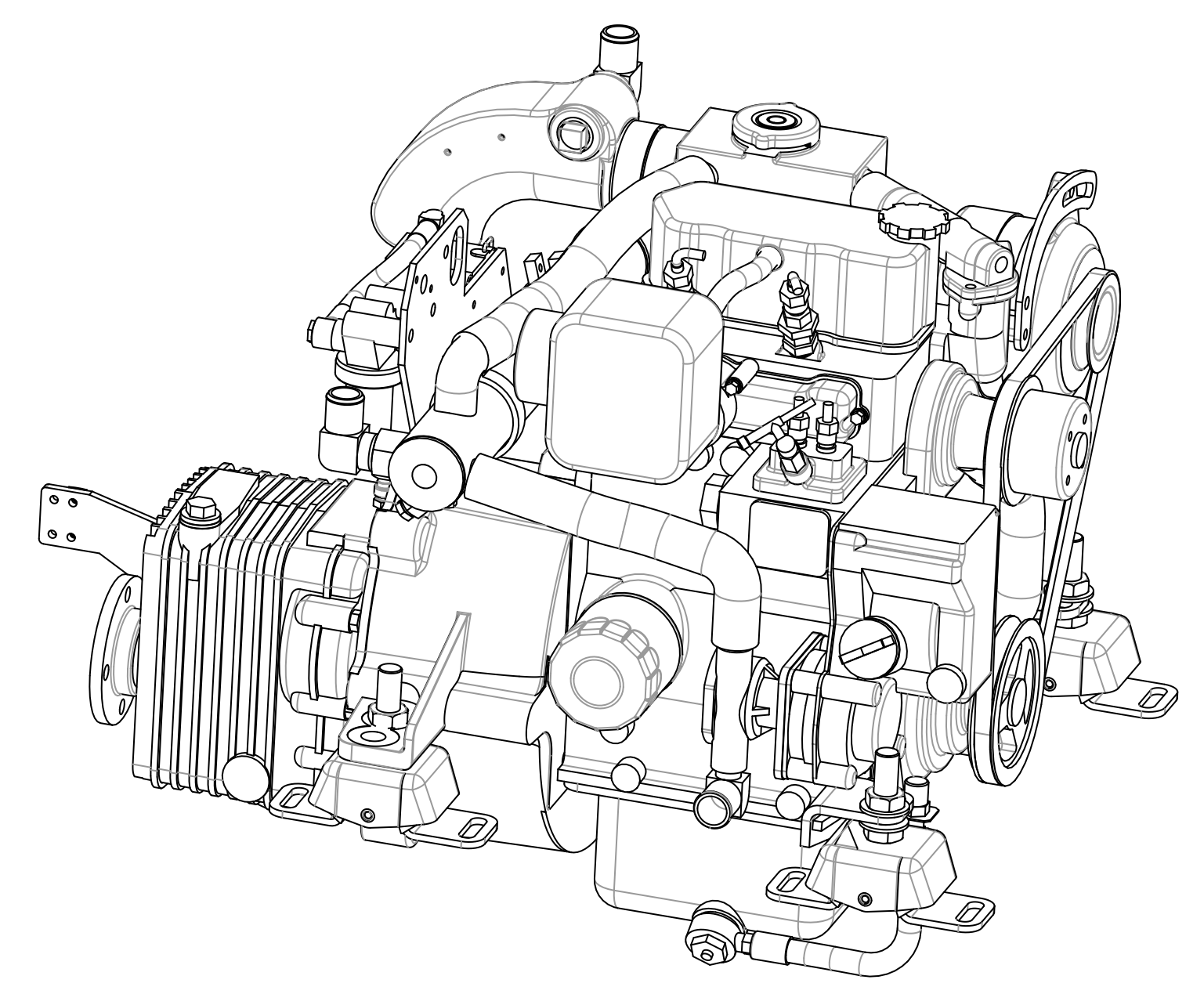
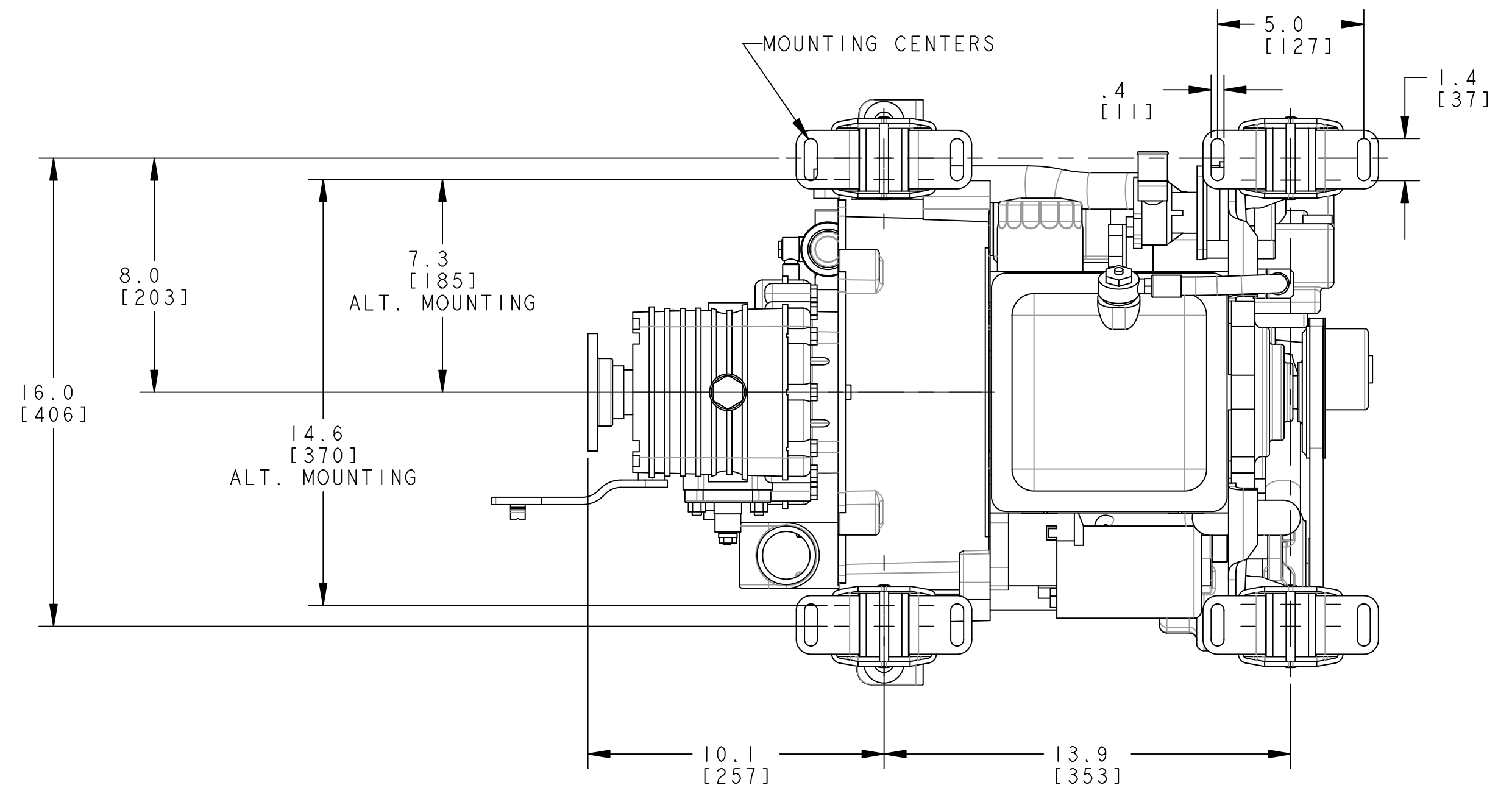


Ø.41 (10.5) THRU (4) HOLES EQUALLY SPACED ON A 3.25 (82.5) Ø B.C.



TOLERANCES (UNLESS OTHERWISE NOTED)			
INCHES	MILLIMETERS		
.XX : .02	.X : ± 1.0	TITLE INSTALLATION DRAWING	
.XXX : .005	.X : ± .5	12D WITH PRM120 TRANSMISSION	
CAST : .03	.XX : ± .13	DRAWN BY GA	DATE 21/Jan/2015
ANGLES : 5°	FINISH : S	APPROVED BY	MATERIAL:
DIMENSIONS		SCALE 0.250	SIZE
INCHES MILLIMETERS		SHT. 1 OF 1	DRAWING NUMBER
(WHEN APPLICABLE)		D	56052