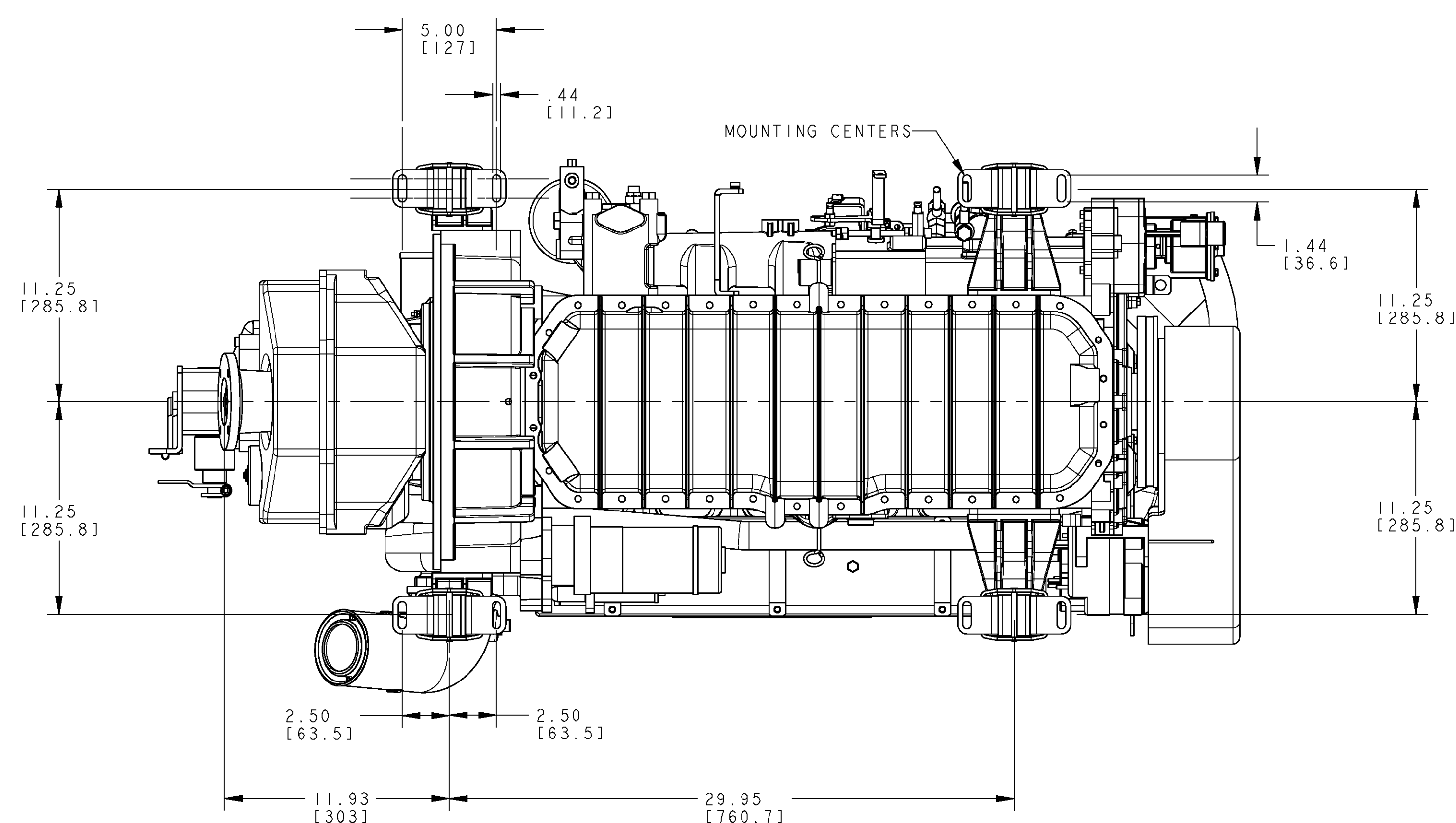
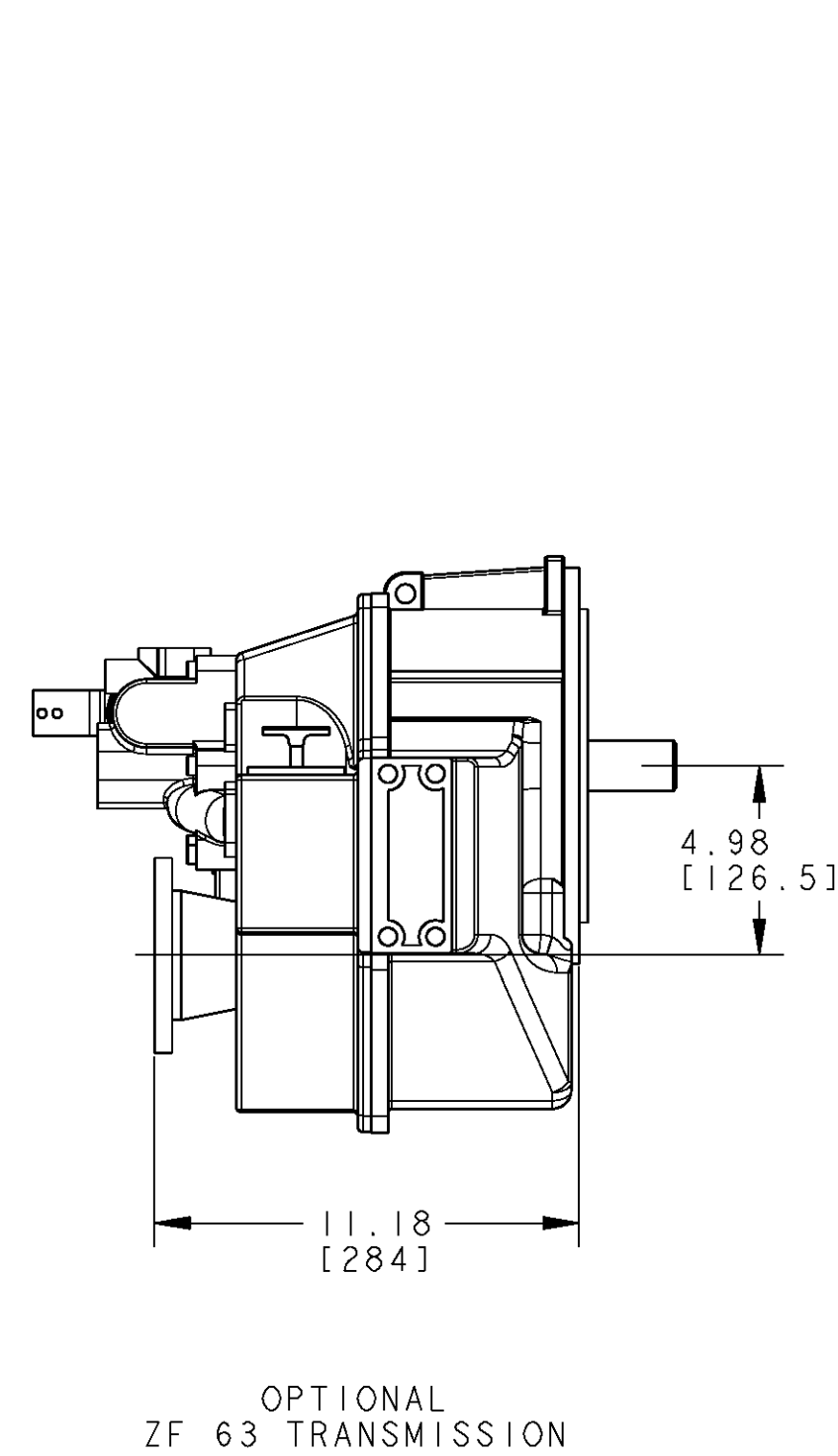
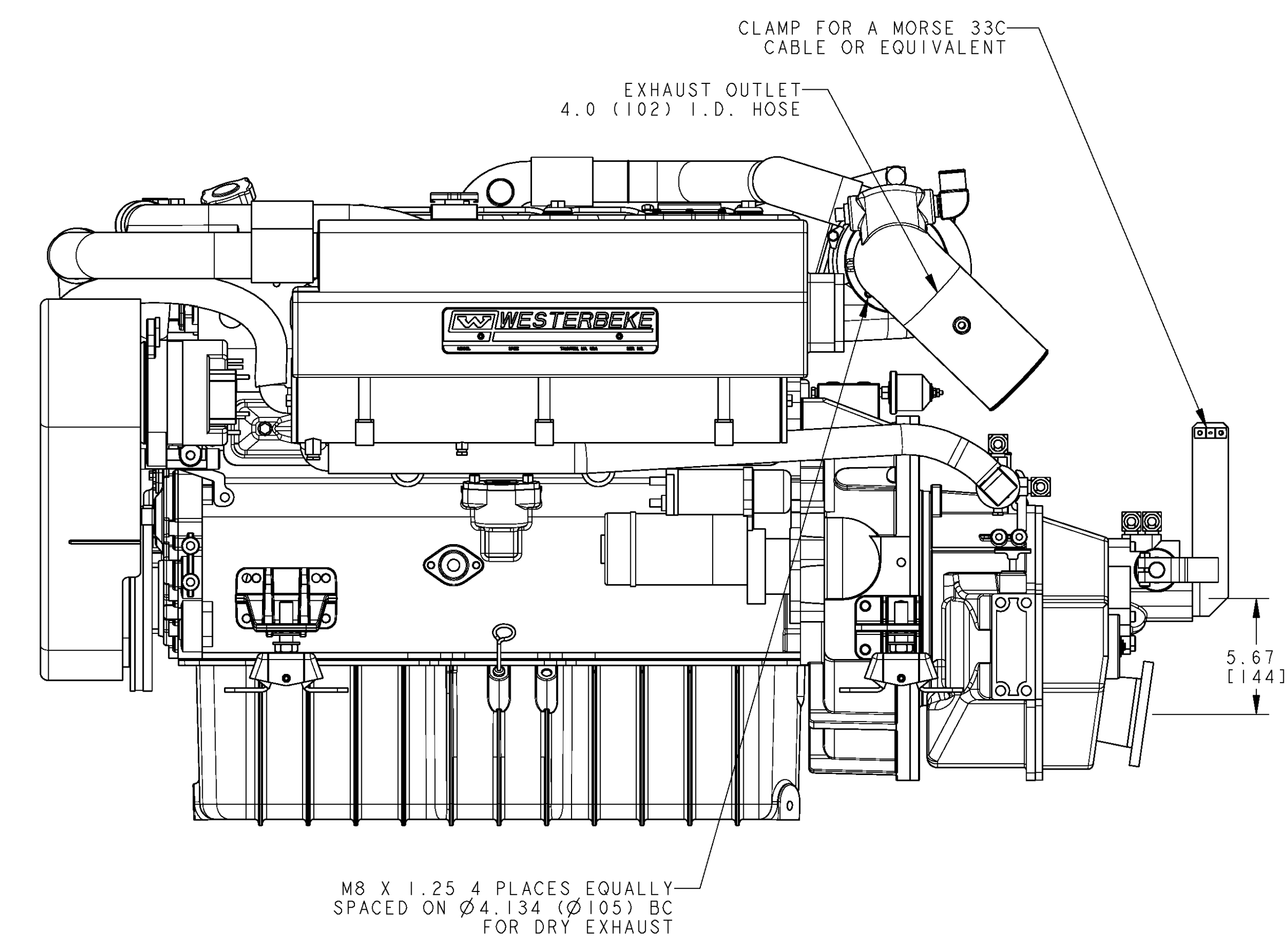
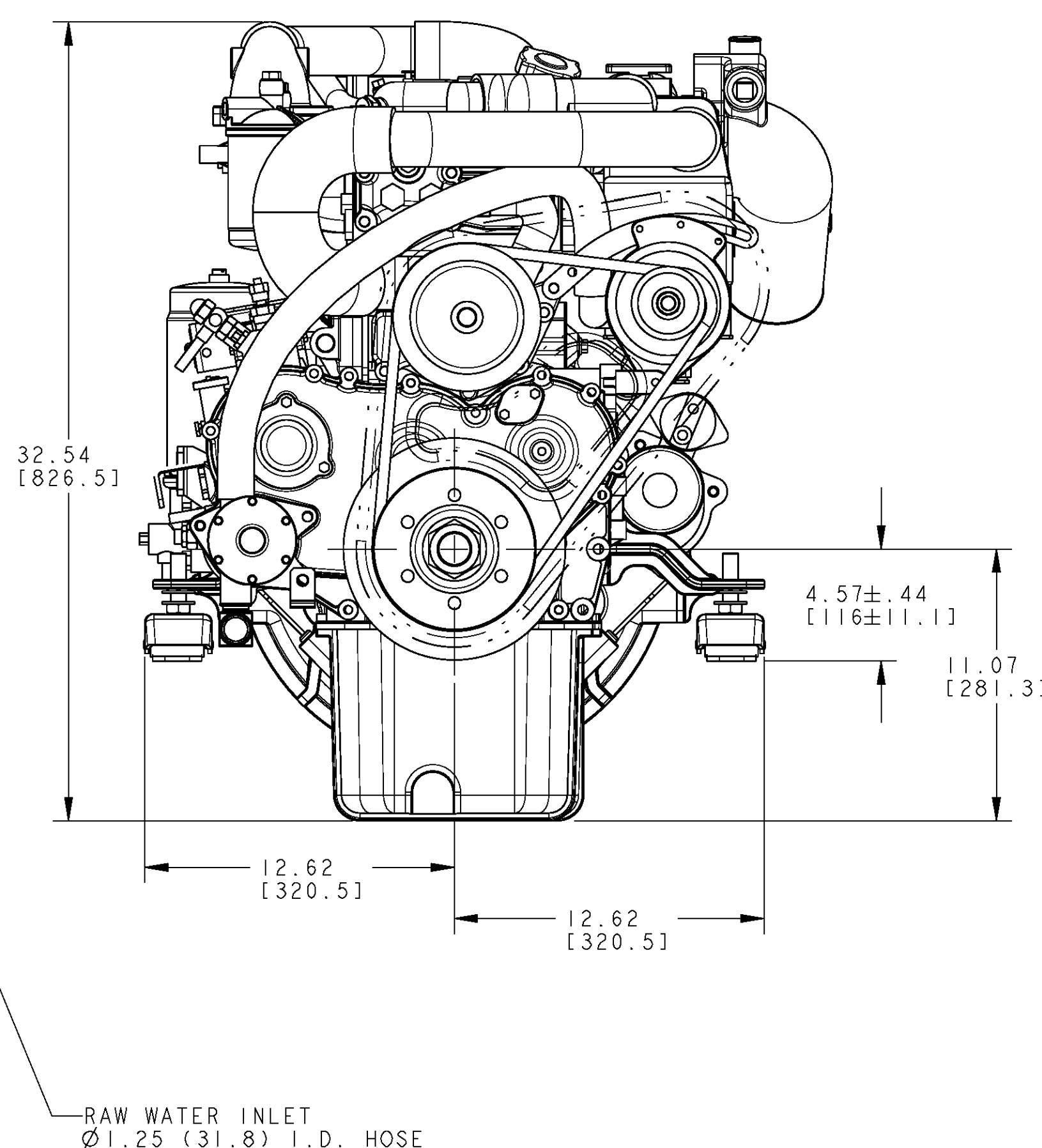
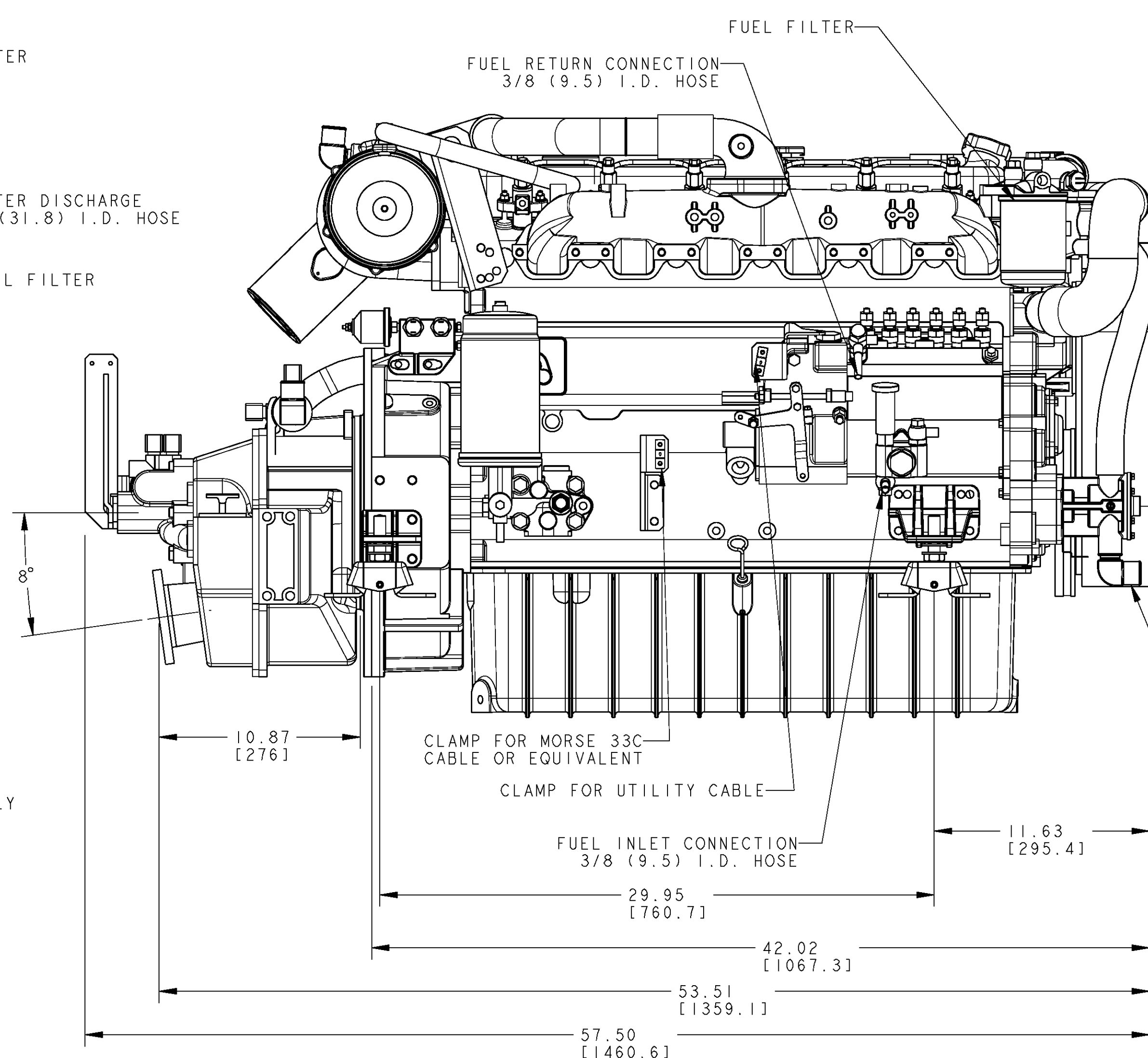
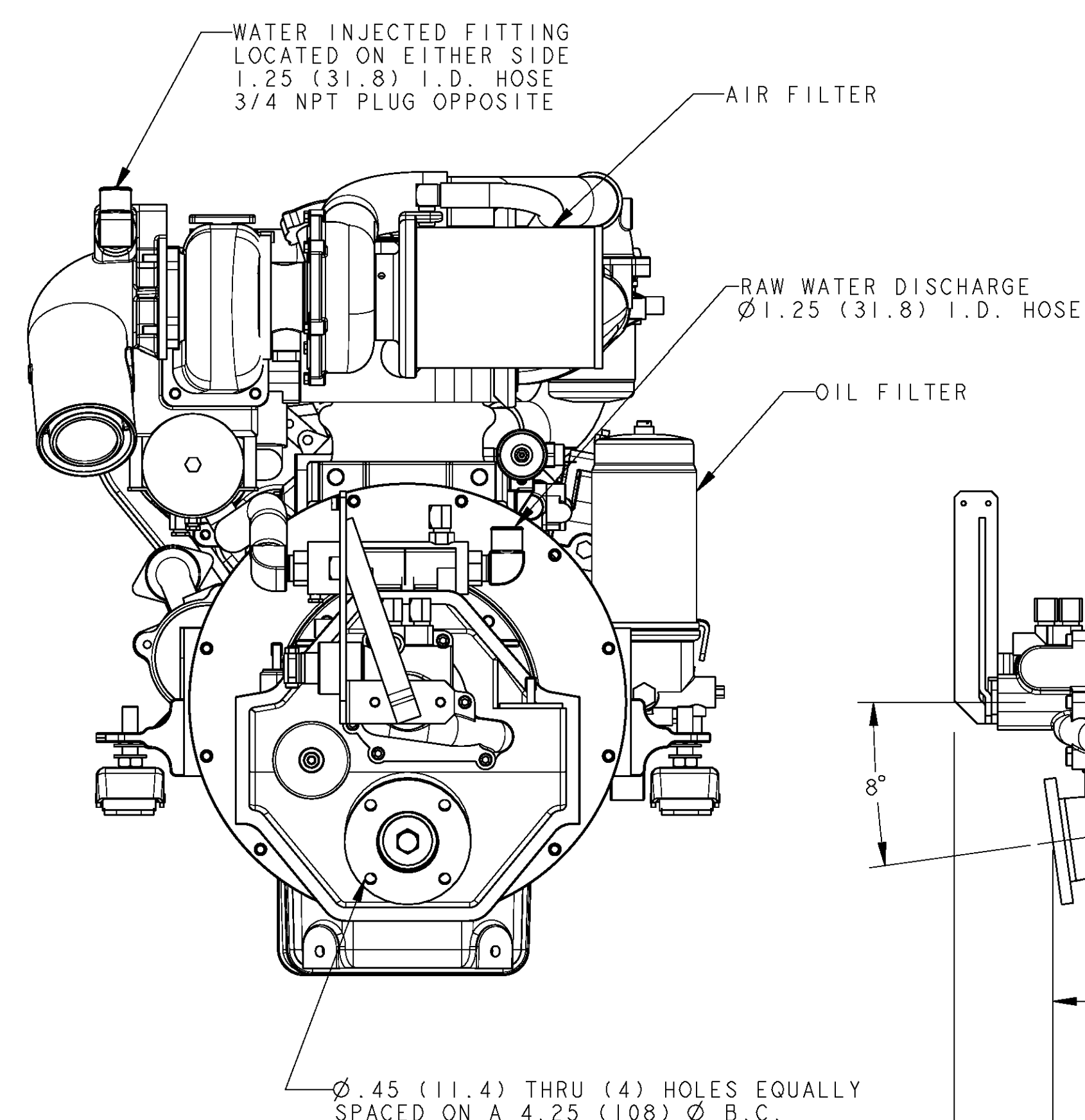
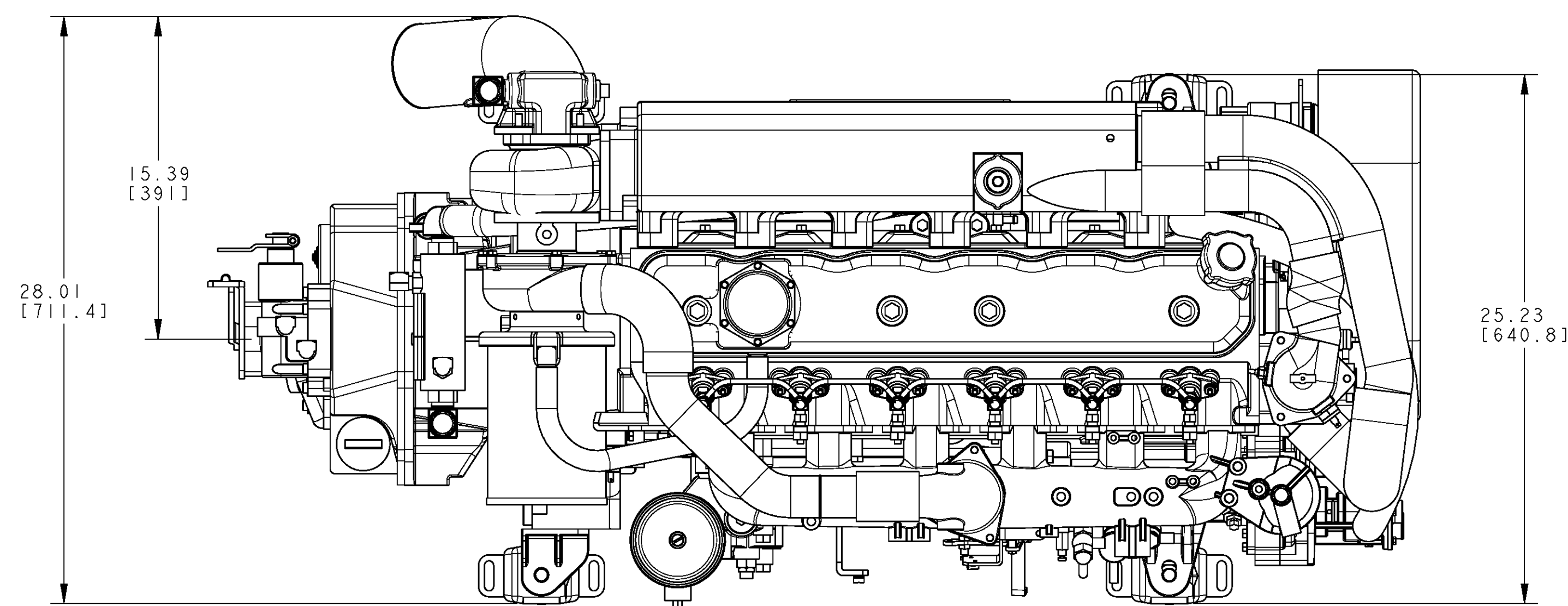


ECO NO.	DATE	REV.	REVISION RECORD	AUTH.	DR. BY
5259	4-8-80	A	ADDED ZF63 TRANSMISSION	JCA	JCA
6333	3-20-01	B	TITLE WAS 170-T6		GA



MODEL WITH 50 AMP ALTERNATOR  
ZF 63A TRANSMISSION

TOLERANCES (UNLESS OTHERWISE NOTED)		WESTERBEKE CORPORATION TAUNTON, MA. 02780	
INCHES	MILLIMETERS	TITLE	INSTALLATION DRAWING
.XX : .02	X :	TITLE	170-T6A
.XXX : .005	.XX :	DRAWN BY	ANDREW KOSS
CAST : .03	.XX :	DATE	01/AUG/00
FINISH		APPROVED BY	
		DATE	
DIMENSIONS	SCALE 0.200	SIZE	DRAWING NUMBER
INCHES		E	45069
MILLIMETERS		REV.	B
(WHEN APPLICABLE)	SHT. 1 OF 1		